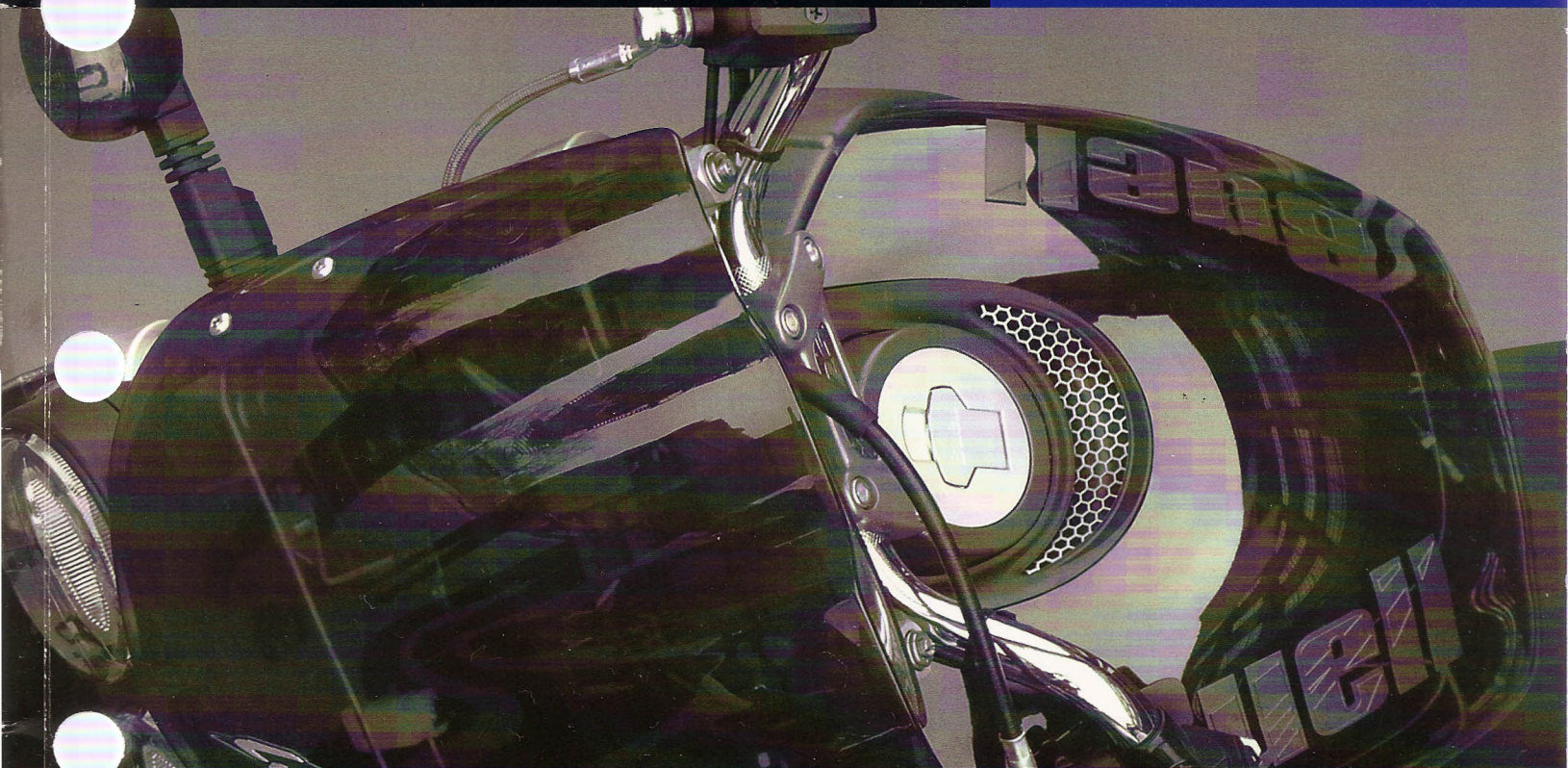


2007 BUELL® PARTS CATALOG



# LIGHTNING® MODELS

OFFICIAL FACTORY CATALOG - 99571-07YA

# READER COMMENTS

The Buell Motorcycle Company maintains a continuous effort to improve the quality and usefulness of its publications. To do this effectively, we need user feedback — your critical evaluation of this manual.

Please comment on the completeness, accuracy, organization, usability, and readability of this manual.

---

---

---

---

---

Please list the page, item, and part number(s) of any errors you find in this manual.

---

---

---

---

---

Please tell us how we can improve this manual.

---

---

---

---

---

Occupation:

---

Name:

Dealership:

---

Street:

Department:

---

City:

State:

Zip:

---

2007 Buell Lightning Models Parts Catalog (99571-07YA)

Please clip out and mail to:  
Service Communications Department  
Buell Motorcycle Company  
P.O. Box 653  
Milwaukee, WI USA 53201

CMI - 2M - 12/06

Cut Here

Cut Here

# GENERAL INFORMATION

## 2007 BUELL LIGHTNING MODELS PARTS CATALOG

**THIS IS NOT AN ASSEMBLY MANUAL AND SHOULD NOT BE USED AS SUCH**

### About This Manual

This Parts Catalog has been prepared to make it easier for you to order parts for the 2007 Buell Lightning model motorcycles. The numbers shown in the illustrations correspond to the numbers in the "INDEX NO." column in the parts lists. Please consult the illustrations when ordering parts to ensure you receive all the required parts. Take note that the number in parenthesis following the part description is the quantity of that part needed for complete assembly; if there is no number in parenthesis, only one is used. Prices of parts in this catalog are published separately.

The following instructions should be followed carefully when ordering parts:

- When a part is revised during the model year the early version part will be marked in the MODELS column with 'E' followed by the model year in which the change occurred. This indicates the part was used early in the model year. The latest version of the part will be marked in the MODELS column with 'L' followed by the model year in which the change occurred. This indicates the part was used late in the model year.
- Be sure to specify the correct part number for each item. The part numbers appear under the "PART NO." column in the parts lists.
- Orders may be placed via your computer for all parts. Please review your system documentation for details on placing orders electronically. All non-warranty replacement crankcase orders require return of the complete left crankcase half with V.I.N.. All non-warranty replacement frame orders require return of the steering neck with V.I.N.. Non-compliance will result in a fine. See non-warranty frame and crankcase policy or contact your SPOC team for details.

To the best knowledge of Buell Motorcycle Company, the material contained herein is accurate as of the date this publication was approved for printing. Buell Motorcycle Company reserves the right to change specifications, equipment, or designs at any time without notice and without incurring obligation.

### Vehicle Identification Number (V.I.N.)

See Figure 1 on the next page. The full 17-digit serial, or V.I.N., is stamped on the right front of the frame near the steering head. An abbreviated V.I.N. or Motor Identification Number is stamped on the left side crankcase near the front of the engine.

Sample V.I.N. as it appears on the steering head - **4MZSX02D573200456**

Sample abbreviated V.I.N. as it appears on the left crankcase - **SX027200456**

Always give the full 17-digit V.I.N. when ordering parts or making any inquiry about your motorcycle.

①  
4MZ
②  
SX
③  
03
④  
D
⑤  
3
⑥  
7
⑦  
3
⑧  
4
⑨  
00456

Figure 1. Typical Buell V.I.N.: 2007 Lightning Models

Table 1. Buell V.I.N. Breakdown: 2007 Models

POSITION	DESCRIPTION	POSSIBLE VALUES
1	Market designation (WMI code)	4MZ = Buell vehicles originally manufactured for sale <b>within</b> the United States 5MZ = Buell vehicles originally manufactured for sale <b>outside</b> the United States
2	Motorcycle type code	AX=Firebolt DX=Ulysses JX=Lightning Long KP=Blast KX=Lightning CityX SX=Lightning WX=Lightning Scg XX=Lightning Super TT
3	Engine type	01=492cc 02=984cc 03=1203cc
4	Market configuration	A=Australia L=California N=Canada D=Domestic E=England R=Europe J=Japan
5	V.I.N. check digit	Can be 0-9 or X
6	Model year	7=2007
7	Assembly plant	3=East Troy, WI U.S.A.
8	Model	0=Blast (07) 1=XB9R (07) 2=XB9SX (07) 3=XB12R (07) 4=XB12S (07) 5=XB12Scg (07) 6=XB12Ss (07) 7=XB12X (07) 8=XB12STT (07)
9	Sequential number (last five digits)	Varies

# ALPHABETICAL INDEX

PART DESCRIPTION .....	PAGE	PART DESCRIPTION .....	PAGE
AIR CLEANER.....	23	FORK, FRONT - 9SX/12S/12SCG/12SS.....	51
AIR SCOOP.....	105	FRAME - 12SS.....	63
ALTERNATOR & REGULATOR.....	25	FRAME - 12SS (CONTINUED).....	65
AXLE, FRONT.....	45	FRAME - 12STT.....	67
AXLE, REAR.....	47	FRAME - 12STT (CONTINUED).....	69
BATTERY.....	103	FRAME - 9SX/12S/12SCG.....	59
BELT GUARD - 12SS/12STT.....	83	FRAME - 9SX/12S/12SCG (CONTINUED).....	61
BELT GUARD - 9SX/12S/12SCG.....	81	FRONT BRAKE CONTROL & CALIPER.....	39
BELTS & SPROCKETS.....	37	FRONT FORK - 12STT.....	53
BRAKE CALIPER, FRONT.....	39	FRONT FORK - 9SX/12S/12SCG/12SS.....	51
BRAKE CALIPER, REAR - 12SS/12STT.....	43	FRONT WHEEL.....	45
BRAKE CALIPER, REAR - 9SX/12S/12SCG.....	41	FUEL INJECTOR.....	21
BRAKE LINE, FRONT.....	39	FUEL TANK & PUMP.....	93
BRAKE LINE, REAR - 12SS/12STT.....	43	FUEL TANK & PUMP (CONTINUED).....	95
BRAKE LINE, REAR - 9SX/12S/12SCG.....	41	FUSES.....	115
BRAKE PADS, FRONT.....	39	GASKET KIT, ENGINE OVERHAUL.....	7
BRAKE PADS, REAR - 12SS/12STT.....	43	GASKET KIT, ROCKER COVERS.....	9
BRAKE PADS, REAR - 9SX/12S/12SCG.....	41	GASKET KIT, TOP OVERHAUL.....	7
BRAKE ROTOR, FRONT.....	45	HANDLEBARS & HAND CONTROLS - 12S/12SCG/12SS.....	77
BRAKE ROTOR, REAR.....	47	HANDLEBARS & HAND CONTROLS - 9SX/12STT....	79
BULB, TAIL LAMP.....	107	HEADLIGHTS, HORN & FAN.....	105
CABLE, CLUTCH CONTROL - 12S/12SCG/12SS.....	77	HORN.....	105
CABLE, CLUTCH CONTROL - 9SX/12STT.....	79	HYDRAULIC LIFTERS.....	9
CABLE, THROTTLE CONTROL - 12S/12SCG/12SS.....	77	IDLER PULLEY ASSEMBLY.....	37
CABLE, THROTTLE CONTROL - 9SX/12STT.....	79	IGNITION COIL.....	27
CALIFORNIA EVAPORATIVE EMISSIONS COMPONENTS.....	119	IGNITION SWITCH.....	115
CAMSHAFTS & CAM COVER.....	17	INDUCTION MODULE - ELECTRONIC FUEL INJECTION.....	21
CHAIN TENSIONER.....	15	INSTRUMENT CLUSTER.....	109
CHAIN, PRIMARY.....	37	INTAKE COVER, FRONT FENDER & CHIN FAIRING... 89	
CHIN FAIRING.....	89	JAPAN EMISSIONS COMPONENTS.....	121
CLUTCH.....	35	LABELS.....	117
CLUTCH CABLE - 12S/12SCG/12SS.....	77	LEVER, TRANSMISSION GEAR SHIFT.....	33
CLUTCH CABLE - 9SX/12STT.....	79	LICENSE PLATE BRACKET - 12SS/12STT.....	87
CLUTCH LEVER - 12S/12SCG/12SS.....	77	LICENSE PLATE BRACKET - 9SX/12S/12SCG.....	85
CLUTCH LEVER - 9SX/12STT.....	79	LOCK SET, COMPLETE.....	115
CONNECTING RODS.....	11	MAIN WIRE HARNESS.....	111
COVER, CLUTCH.....	15	MAIN WIRE HARNESS (CONTINUED).....	113
COVER, ROCKER ARM.....	9	MASTER CYLINDER, FRONT.....	39
CRANKCASE.....	13	MASTER CYLINDER, REAR - 12SS/12STT.....	43
CYLINDER, HEAD & VALVES.....	7	MASTER CYLINDER, REAR - 9SX/12S/12SCG.....	41
DECALS.....	91	MIRRORS - 12S/12SCG/12SS.....	77
ECM.....	27	MIRRORS - 9SX/12STT.....	79
ELECTRICAL CONNECTORS.....	111	MUFFLER - 12S/12SCG/12SS/12STT.....	101
ELECTRONIC IGNITION SYSTEM.....	27	MUFFLER - 9SX.....	99
EMISSIONS COMPONENTS, JAPAN.....	121	OIL FILTER & HOSES.....	97
ENGINE MOUNTS.....	71	OIL PUMP.....	19
ENGINE, COMPLETE.....	7	OIL TANK FILLER CAP - 12SS/12STT.....	75
EXHAUST SYSTEM - 12S/12SCG/12SS/12STT.....	101	OIL TANK FILLER CAP - 9SX/12S/12SCG.....	73
EXHAUST SYSTEM - 9SX.....	99	PCV VALVE.....	9
FAN.....	105	PISTON & FLYWHEEL ASSEMBLY.....	11
FENDER, FRONT.....	89	PRIMARY CHAIN.....	37
FENDER, REAR - 12SS/12STT.....	83	PRIMARY COVER & CHAIN TENSIONER.....	15
FENDER, REAR - 9SX/12S/12SCG.....	81	PUSH RODS & COVER.....	9
FLYWHEEL.....	11	REAR BRAKE CONTROL & CALIPER - 12SS/12STT... 43	
FOOTPEGS - 12SS.....	65	REAR BRAKE CONTROL & CALIPER - 9SX/12S/12SCG. 41	
FOOTPEGS - 12STT.....	69	REAR FENDER & BELT GUARDS - 12SS/12STT..... 83	
FOOTPEGS - 9SX/12S/12SCG.....	61	REAR FENDER & BELT GUARDS - 9SX/12S/12SCG... 81	
FORK, FRONT - 12STT.....	53		

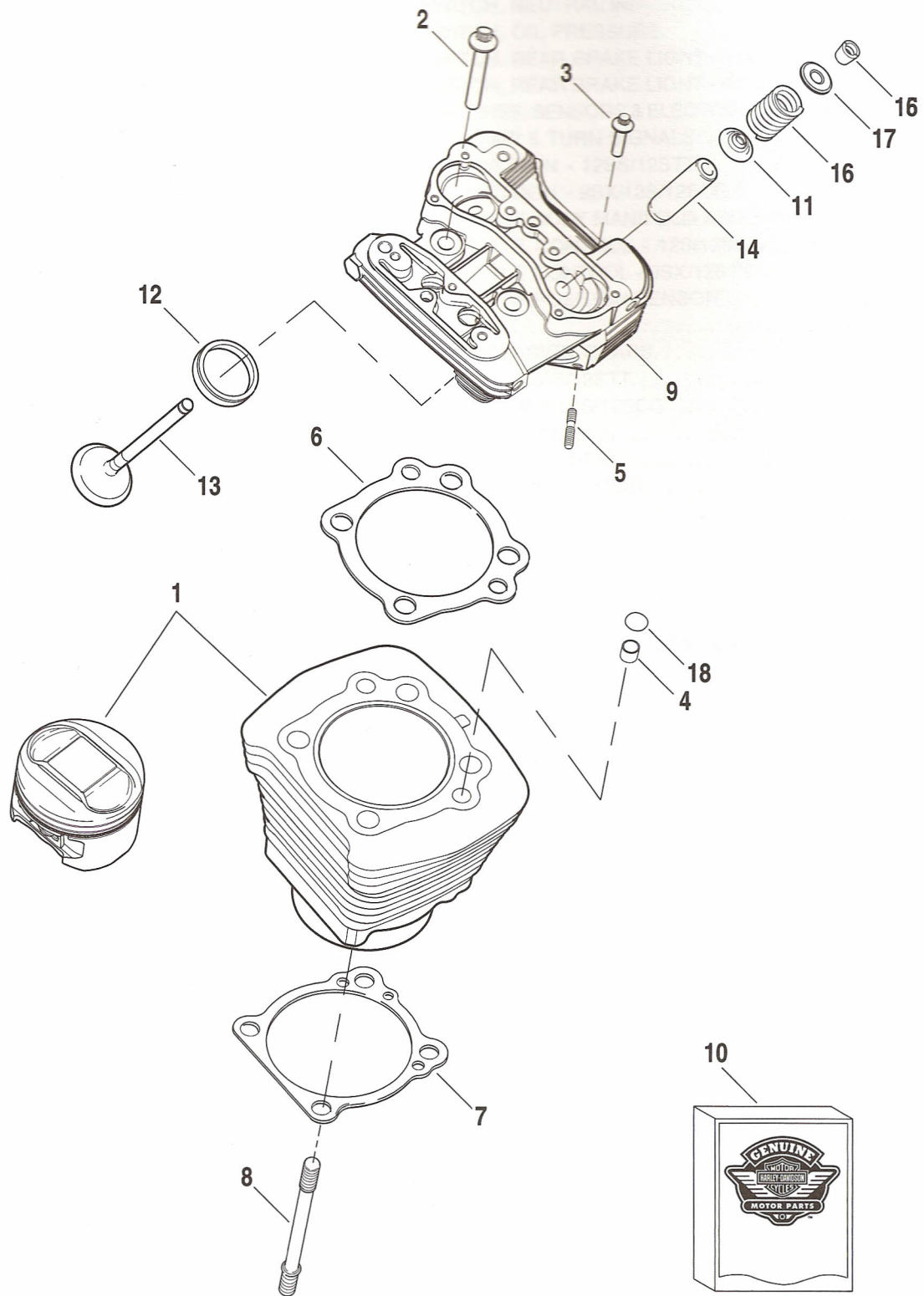
## ALPHABETICAL INDEX

PART DESCRIPTION .....	PAGE	PART DESCRIPTION .....	PAGE
REAR SHOCK ABSORBER - 12SS/12STT.....	57	SWINGARM - 9SX/12S/12SCG.....	73
REAR SHOCK ABSORBER - 9SX/12S/12SCG.....	55	SWITCH, FRONT BRAKE.....	39
REAR WHEEL.....	47	SWITCH, NEUTRAL INDICATOR.....	115
REFLECTORS, FRONT - 12STT.....	53	SWITCH, OIL PRESSURE.....	97
REFLECTORS, FRONT - 9SX/12S/12SCG/12SS.....	51	SWITCH, REAR BRAKE LIGHT - 12SS/12STT.....	43
REFLECTORS, REAR.....	107	SWITCH, REAR BRAKE LIGHT - 9SX/12S/12SCG.....	41
RELAY, IGNITION.....	115	SWITCHES, SENSORS & ELECTRICAL CONNECTORS.....	115
ROCKER ARMS, COVERS & PUSH RODS.....	9	TAIL LAMP & TURN SIGNALS.....	107
SEAT, TAIL SECTION & TRUNK - 12SS/12STT.....	87	TAIL SECTION - 12SS/12STT.....	87
SEAT, TAIL SECTION & TRUNK - 9SX/12S/12SCG.....	85	TAIL SECTION - 9SX/12S/12SCG.....	85
SENSOR, AIR INTAKE.....	115	THROTTLE BODY MANIFOLD ASSEMBLY.....	21
SENSOR, BANK ANGLE.....	115	THROTTLE CONTROL - 12S/12SCG/12SS.....	77
SENSOR, ENGINE TEMPERATURE.....	115	THROTTLE CONTROL - 9SX/12STT.....	79
SENSOR, LOW FUEL LEVEL.....	93	THROTTLE POSITION SENSOR.....	21
SENSOR, OXYGEN.....	115	TOOL KIT.....	115
SENSOR, VEHICLE SPEED.....	115	TRANSMISSION GEARS.....	31
SHIFTER.....	33	TRUNK - 12SS/12STT.....	87
SHOCK ABSORBERS, REAR - 12SS/12STT.....	57	TRUNK - 9SX/12S/12SCG.....	85
SHOCK ABSORBERS, REAR - 9SX/12S/12SCG.....	55	TURN SIGNALS.....	107
SIDESTAND - 12SS.....	63	VALVES & GUIDES.....	7
SIDESTAND - 12STT.....	67	VOLTAGE REGULATOR.....	25
SIDESTAND - 9SX/12S/12SCG.....	59	WHEEL, FRONT.....	45
SPARK PLUG.....	27	WHEEL, REAR.....	47
SPEEDOMETER.....	109	WINDSCREEN.....	89
SPROCKET COVERS - 12SS/12STT.....	83	WIRING HARNESS, MAIN.....	111
SPROCKET COVERS - 9SX/12S/12SCG.....	81		
SPROCKETS.....	37		
STARTER MOTOR.....	29		
STATOR.....	25		
STEERING HEAD.....	49		
SWINGARM - 12SS/12STT.....	75		

### REFERENCE MATERIAL

HARDWARE LIST .....	122
NEW PARTS LIST .....	124
NUMERICAL INDEX .....	126

# CYLINDER HEAD & VALVES



INDEX NO.	PART NO.	DESCRIPTION	MODEL(S)
	19286-07	ENGINE ASSEMBLY, w/o front isolator mount attached (not illustrated)	KX
	19287-07	ENGINE ASSEMBLY, w/o front isolator mount attached (not illustrated)	JX/SX/WX/XX
1	16466-04	CYLINDER, w/ piston & rings	JX/SX/WX/XX
	22710-02	CYLINDER, w/ piston & rings	KX
2	16478-85A	SCREW, internal thread (4)	ALL
3	16480-92A	SCREW, internal thread (chrome) (4)	ALL
4	16573-83A	INSERT, cylinder stud (4)	ALL
5	16715-83	STUD, exhaust port (4)	ALL
6	16770-84D	GASKET, cylinder head (2)	ALL
7	16774-86E	GASKET, cylinder base (2)	ALL
8	16832-86C	STUD, cylinder base (8)	ALL
9	16872-07	HEAD ASSEMBLY, front cylinder - w/ valve guides & seats	ALL
	16875-07	HEAD ASSEMBLY, rear cylinder - w/ valve guides & seats	ALL
10	17058-02D	GASKET KIT, engine overhaul	ALL
	17059-02B	GASKET KIT, top overhaul	ALL
11	18094-02A	COLLAR/SEAL, valve stem (4)	ALL
12	18020-07	SEAT, intake valve (2)	ALL
	18011-86	SEAT, exhaust valve (2)	ALL
13	18690-02	VALVE, intake (2)	ALL
	18691-02	VALVE, exhaust (2)	ALL
14	16461-02	VALVE GUIDE, intake & exhaust (4)	ALL
15	18260-02	RETAINER, valve collar (8)	ALL
16	18245-02	SPRING, valve (4)	ALL
17	18258-02	COLLAR, valve spring - upper (4)	ALL
18	26432-76A	O-RING, cylinder stud insert (4)	ALL

## 2007 MODEL IDENTIFICATION CODES

KX = 9SX

SX = 12S

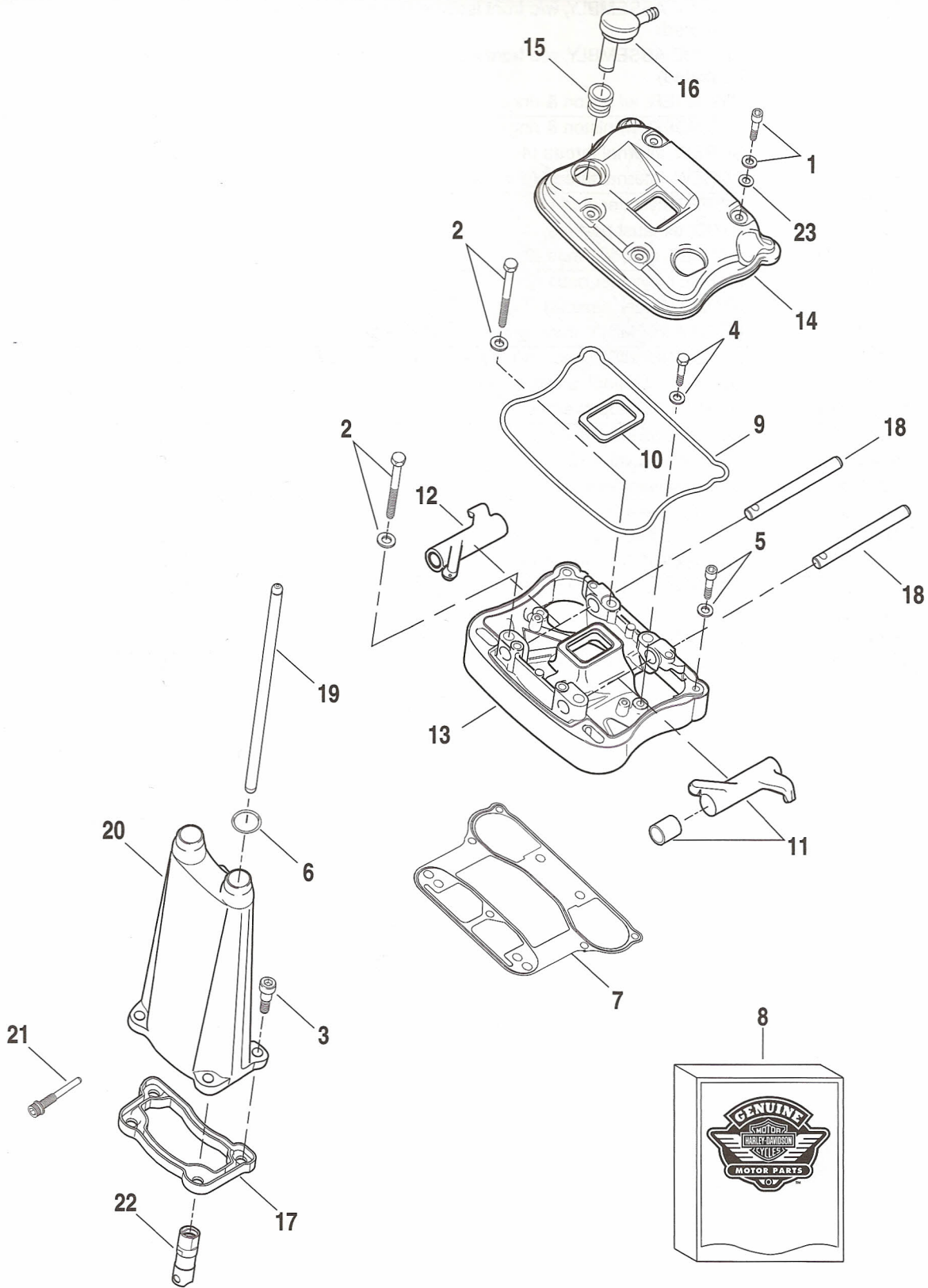
WX = 12Scg

JX = 12Ss

XX = 12STT



# ROCKER ARMS, COVERS & PUSH RODS



INDEX NO.	PART NO.	DESCRIPTION	MODEL(S)
1	882	SCREW, w/ washer (8)	ALL
2	1039	SCREW, hex flange head w/ locker (8)	ALL
3	3299Y	SCREW (8)	ALL
4	3849	SCREW, w/ washer (6)	ALL
5	4718A	SCREW, w/ washer (4)	ALL
6	11190	O-RING, push rod cover - upper (4)	ALL
7	16800-84A	GASKET, rocker cover/cylinder head, valve & push rod sides (2)	ALL
8	17036-91A	GASKET KIT, rocker covers w/ 7, 9, 10 & 23	ALL
9	17362-07	GASKET, rocker cover - lower (2)	ALL
10	17695-07	GASKET, rocker cover - inner (2)	ALL
11	17360-83A	ROCKER ARM ASSEMBLY, w/ bushing, front intake & rear exhaust (2)	ALL
12	17375-83A	ROCKER ARM ASSEMBLY, w/ bushing, rear intake & front exhaust (2)	ALL
13	17598-07	ROCKER COVER, inner (2)	ALL
14	17605-00YB	ROCKER COVER, top front	ALL
15	17606-00YA	GROMMET (2)	ALL
16	17607-00Y	PCV VALVE (2)	ALL
17	17608-00Y	GASKET, push rod cover front	ALL
18	17611-83	SHAFT, rocker arm (4)	ALL
	17642-02A	ROCKER COVER, top rear (not illustrated)	ALL
	17649-02	GASKET, rear push rod cover (not illustrated)	ALL
19	17908-02	PUSH ROD, exhaust (2)	ALL
	17909-02	PUSH ROD, intake (2)	ALL
20	17979-02	COVER, push rod, rear	ALL
	17986-00Y	COVER, push rod, front	ALL
21	18532-00A	SCREW, tappet anti-rotation (4)	ALL
22	18538-99B	HYDRAULIC LIFTER (4)	ALL
23	63858-49	GASKET (8)	ALL

## 2007 MODEL IDENTIFICATION CODES

KX = 9SX

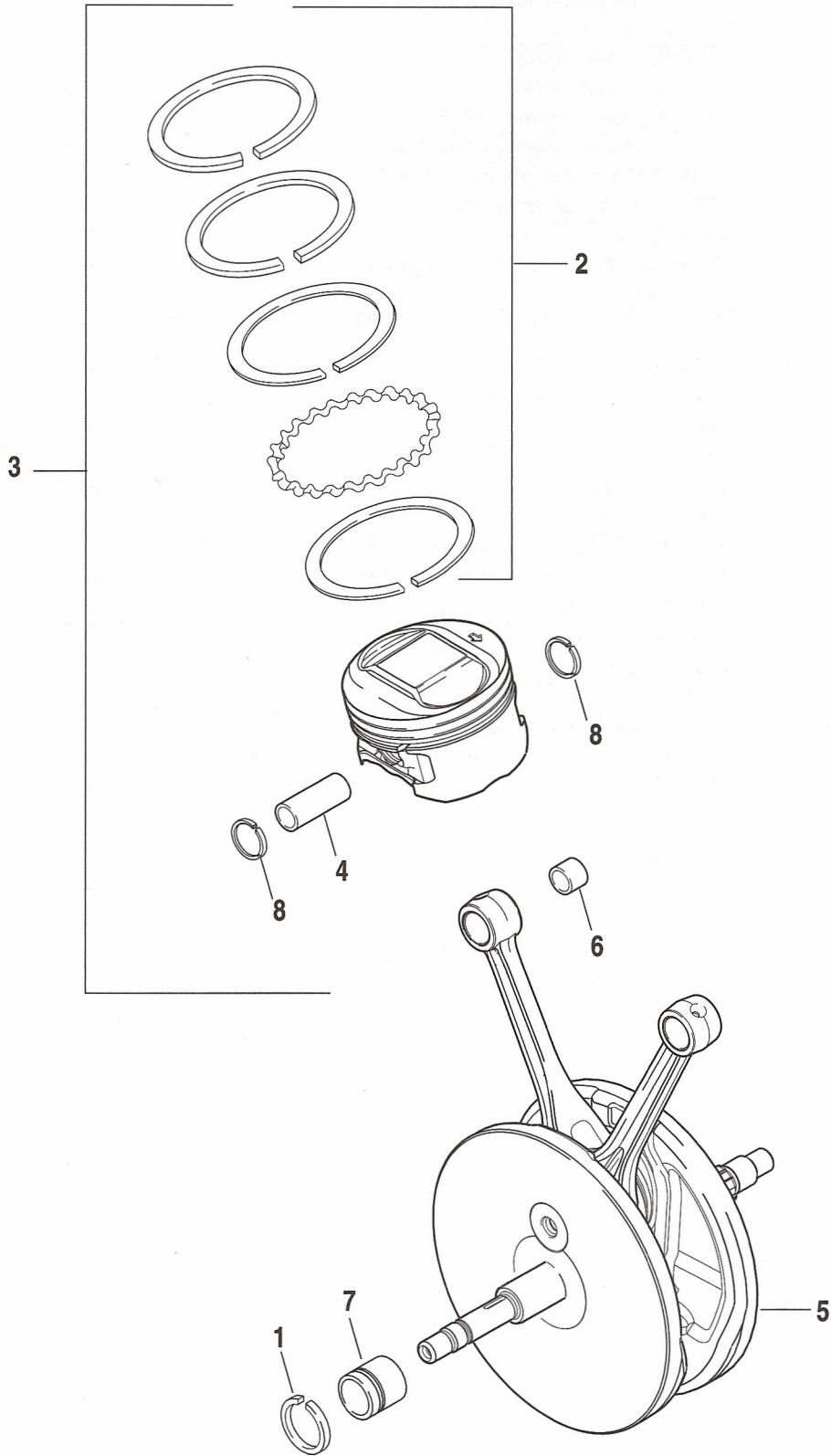
SX = 12S

WX = 12Scg

JX = 12Ss

XX = 12STT

# PISTON & FLYWHEEL ASSEMBLY



INDEX NO.	PART NO.	DESCRIPTION	MODEL(S)
1	11177A	RETAINING RING	ALL
2	21948-02	PISTON RING SET, standard (2)	ALL
3	22244-04	PISTON & RINGS ASSEMBLY, standard (2)	JX/SX/WX/XX
	22707-02	PISTON & RINGS ASSEMBLY, standard	KX
4	22765-02	PISTON PIN (2)	ALL
5	24213-02A	FLYWHEEL & CONNECTING ROD ASSEMBLY, w/ 24354-87A & 24658-87	KX
	24215-04A	FLYWHEEL & CONNECTING ROD ASSEMBLY, w/ 24354-87A & 24658-87	JX/SX/WX/XX
6	24331-36	BUSHING, piston pin - standard (2)	ALL
	24332-36	BUSHING, piston pin - 0.01 oversize (2)	ALL
7	24658-87	INNER RING	ALL
8	22589-83B	LOCK RING, piston pin (2)	ALL

## 2007 MODEL IDENTIFICATION CODES

KX = 9SX

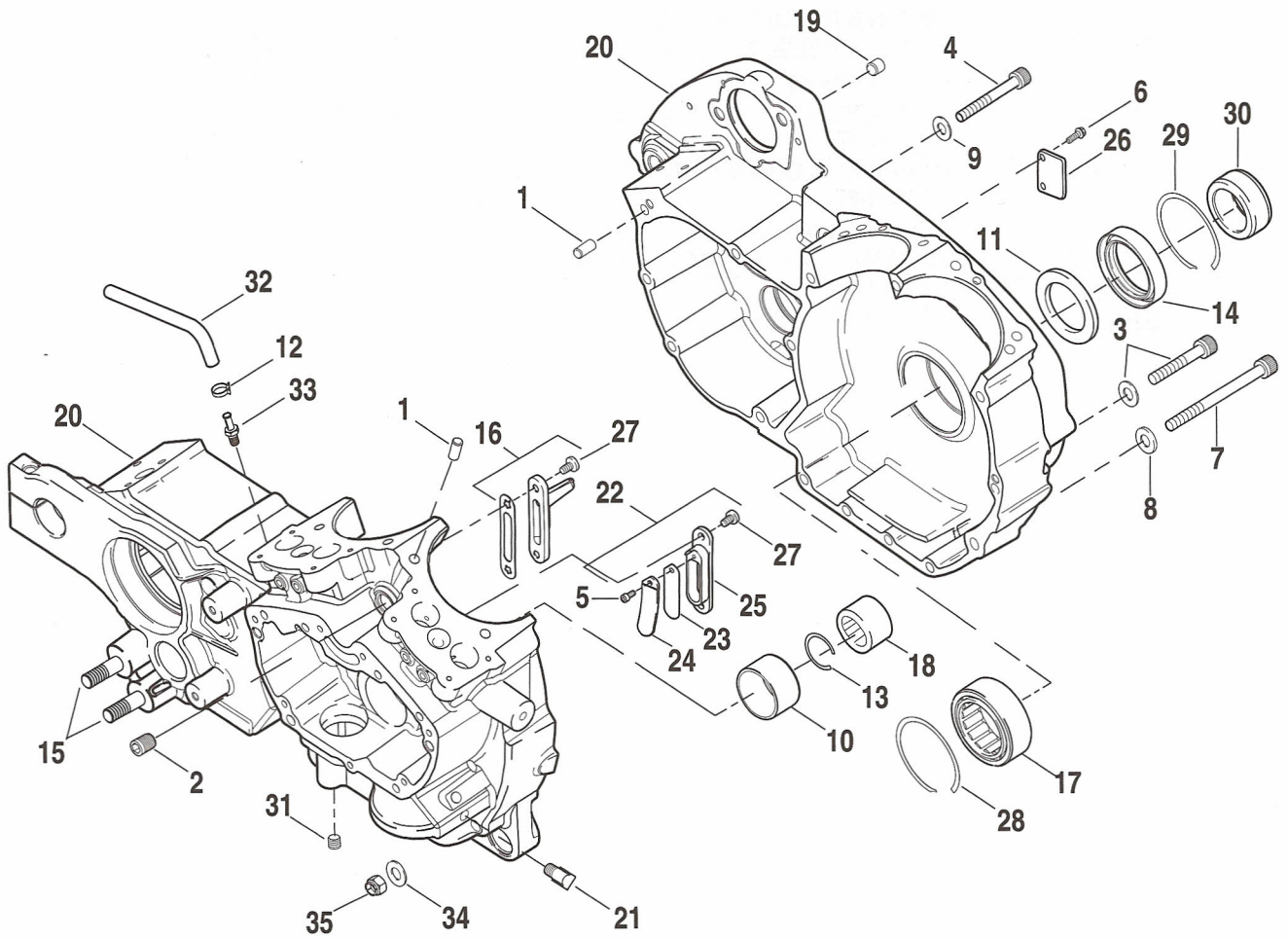
SX = 12S

WX = 12Scg

JX = 12Ss

XX = 12STT

# CRANKCASE



INDEX NO.	PART NO.	DESCRIPTION	MODEL(S)
1	358	DOWEL PIN (4)	ALL
2	720	PLUG, timing	ALL
3	1028	SCREW, w/ washer (9)	ALL
4	879A	SCREW (5)	ALL
5	1044	SCREW	ALL
6	4091	SCREW (2)	ALL
7	4413	SCREW	ALL
8	6019	WASHER	ALL
9	6314W	WASHER (5)	ALL
10	8881	BEARING RACE	ALL
11	8973	WASHER, thrust	ALL
12	10080	CLAMP, hose	ALL
13	11177A	RETAINING RING	ALL
14	12068	OIL SEAL	ALL
15	16899-02	STUD, tap end (2)	ALL
16	22265-00Y	OIL JET ASSEMBLY, complete (2)	ALL
17	24604-00D	BEARING	ALL
18	24647-87	BEARING, gear shaft (blue)	ALL
	24650-87	BEARING, gear shaft (red)	ALL
	24659-87	BEARING, gear shaft (white/gray)	ALL
	24660-87	BEARING, gear shaft (green)	ALL
19	24754-75A	DOWEL PIN (2)	ALL
20	24439-06	CRANKCASE SET, w/ bushings & bearings (silver)	ALL
21	26365-02A	FITTING, connector - 90 degree	ALL
22	26921-02	REED VALVE ASSEMBLY	ALL
23	26922-02	VALVE, reed	ALL
24	26923-02	STOP, reed valve	ALL
25	26924-02	REED BLOCK	ALL
26	29950-91	COVER, stator wires	ALL
27	32617-00Y	SCREW, self-tapping (6)	ALL
28	35114-02	RING, retaining	ALL
29	35118-03	RING, retaining	ALL
30	40254-02	SPACER, sprocket shaft	ALL
31	45830-48	PLUG	ALL
32	62352-94B	HOSE, preformed	ALL
33	63533-41A	FITTING, connector - vent	ALL
34	BA0613.2Z	WASHER	ALL
35	DA0600.11CZ	LOCKNUT	ALL

## 2007 MODEL IDENTIFICATION CODES

KX = 9SX

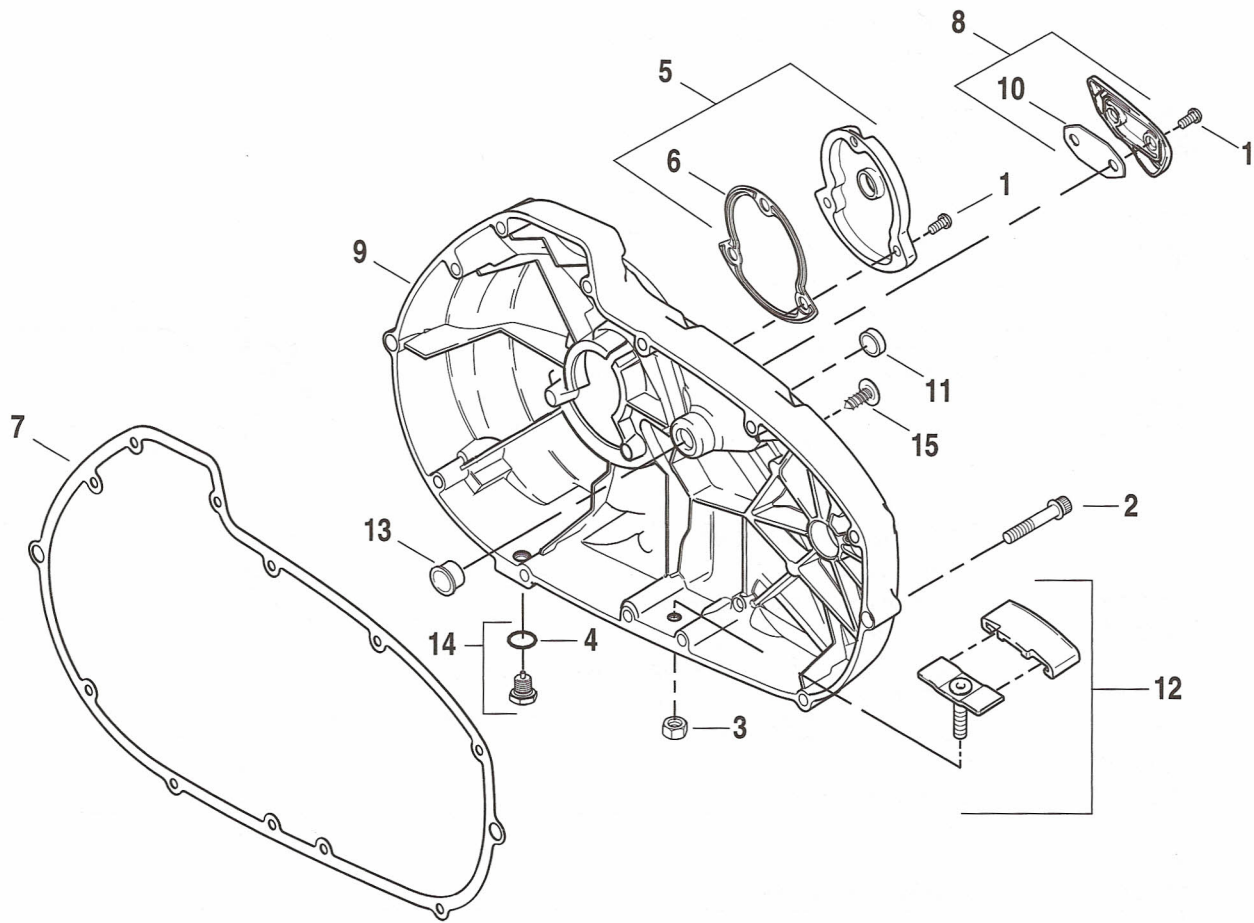
SX = 12S

WX = 12Scg

JX = 12Ss

XX = 12STT

# PRIMARY COVER & CHAIN TENSIONER



INDEX NO.	PART NO.	DESCRIPTION	MODEL(S)
1	943	SCREW, sems (5)	ALL
2	4820A	SCREW, sems (13)	KX
	4824	SCREW, sems (black) (13)	JX/SX/WX/XX
3	7804	LOCKNUT, chain adjustment	ALL
4	11105	O-RING	ALL
5	25349-03	COVER KIT, clutch w/ 25377-03A	ALL
6	25377-03A	GASKET, clutch cover	ALL
7	25378-02B	GASKET, primary cover	ALL
8	25380-03	COVER KIT, inspection w/ 34819-03	ALL
9	25521-06A	PRIMARY COVER, w/ 40520-63 (painted black)	KX
	25542-06A	PRIMARY COVER, w/ 40520-63 (painted magnesium tone)	JX/SX/WX/XX
10	34819-03A	GASKET, inspection cover	ALL
11	37107-06	OIL SEAL, shifter shaft	ALL
12	40039-02B	ADJUSTER ASSEMBLY, chain w/ shoe, collar, plate & screw	ALL
13	40574-06	BUSHING	ALL
14	60328-98B	DRAIN PLUG KIT, w/ 11105	ALL
15	C0230.T	PLUG	ALL

## 2007 MODEL IDENTIFICATION CODES

KX = 9SX

SX = 12S

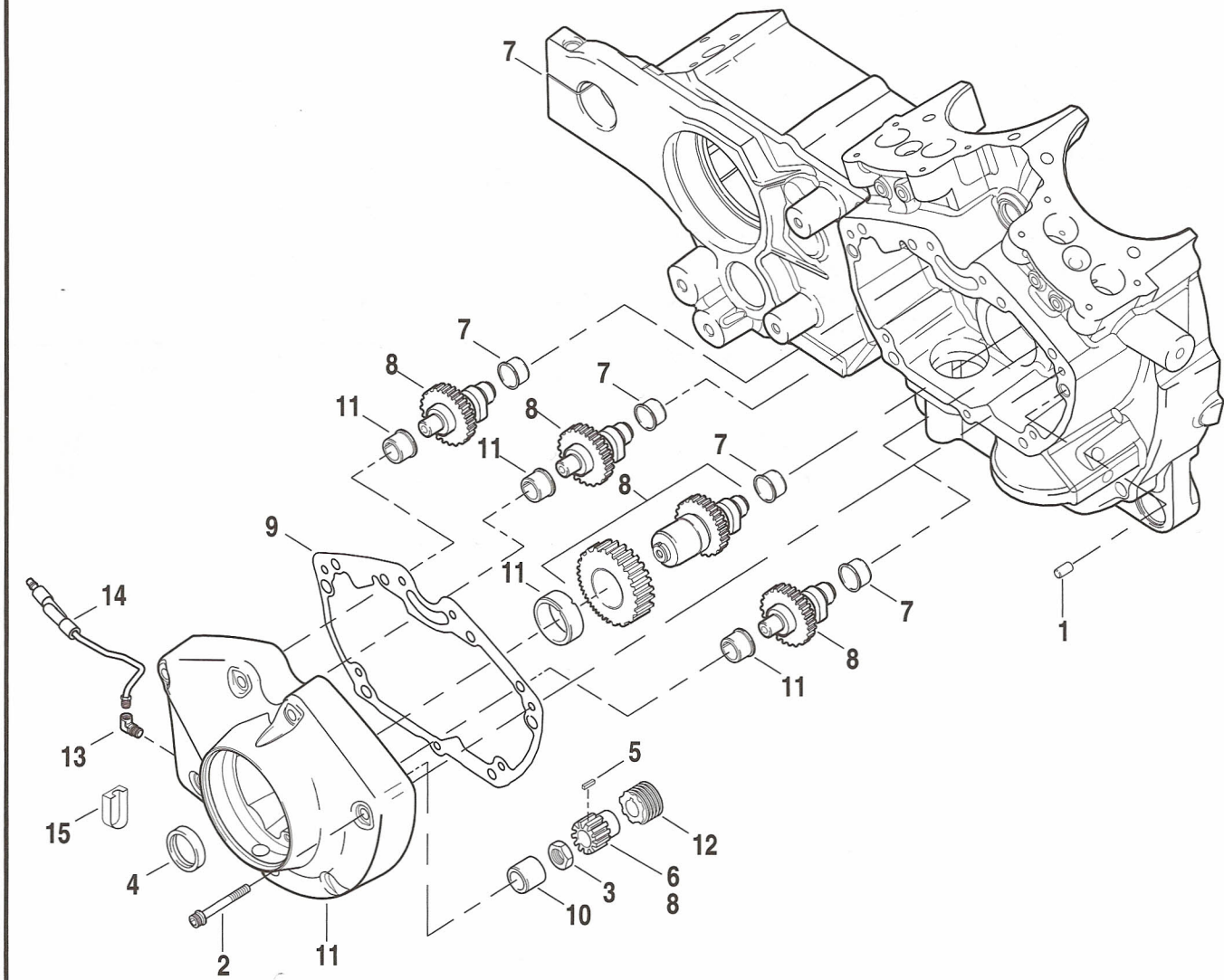
WX = 12Scg

JX = 12Ss

XX = 12STT



# CAMSHAFTS & CAM COVER



INDEX NO.	PART NO.	DESCRIPTION	MODEL(S)
1	215	DOWEL PIN (2)	ALL
2	4820A	SCREW, sems (7)	KX
	4824	SCREW, sems (black) (7)	JX/SX/WX/XX
3	7916A	JAM NUT	ALL
4	11124	SEAL, oil	ALL
5	11317	KEY, square	ALL
6	24047-00	PINION GEAR	ALL
7	24439-06	CRANKCASE SET, w/ bearings & bushings	ALL
8	25188-02	E CAM GEAR SET, w/ pinion gear	ALL
9	25353-00YB	GASKET, camshaft cover	ALL
10	25593-74	BUSHING, pinion gear shaft	ALL
11	25778-04A	GEAR COVER ASSEMBLY, w/ oil seal & fitting (painted magnesium tone)	JX/SX/WX/XX
	25782-02A	GEAR COVER ASSEMBLY, w/ oil seal & fitting (painted black)	KX
12	26391-06	DRIVE GEAR, oil pump	ALL
13	26365-02A	FITTING, oil vent hose	ALL
14	HS0024.4A8	OIL LINE, vent	ALL
15	Q0009.3AA	COVER, oil line	ALL

## 2007 MODEL IDENTIFICATION CODES

KX = 9SX

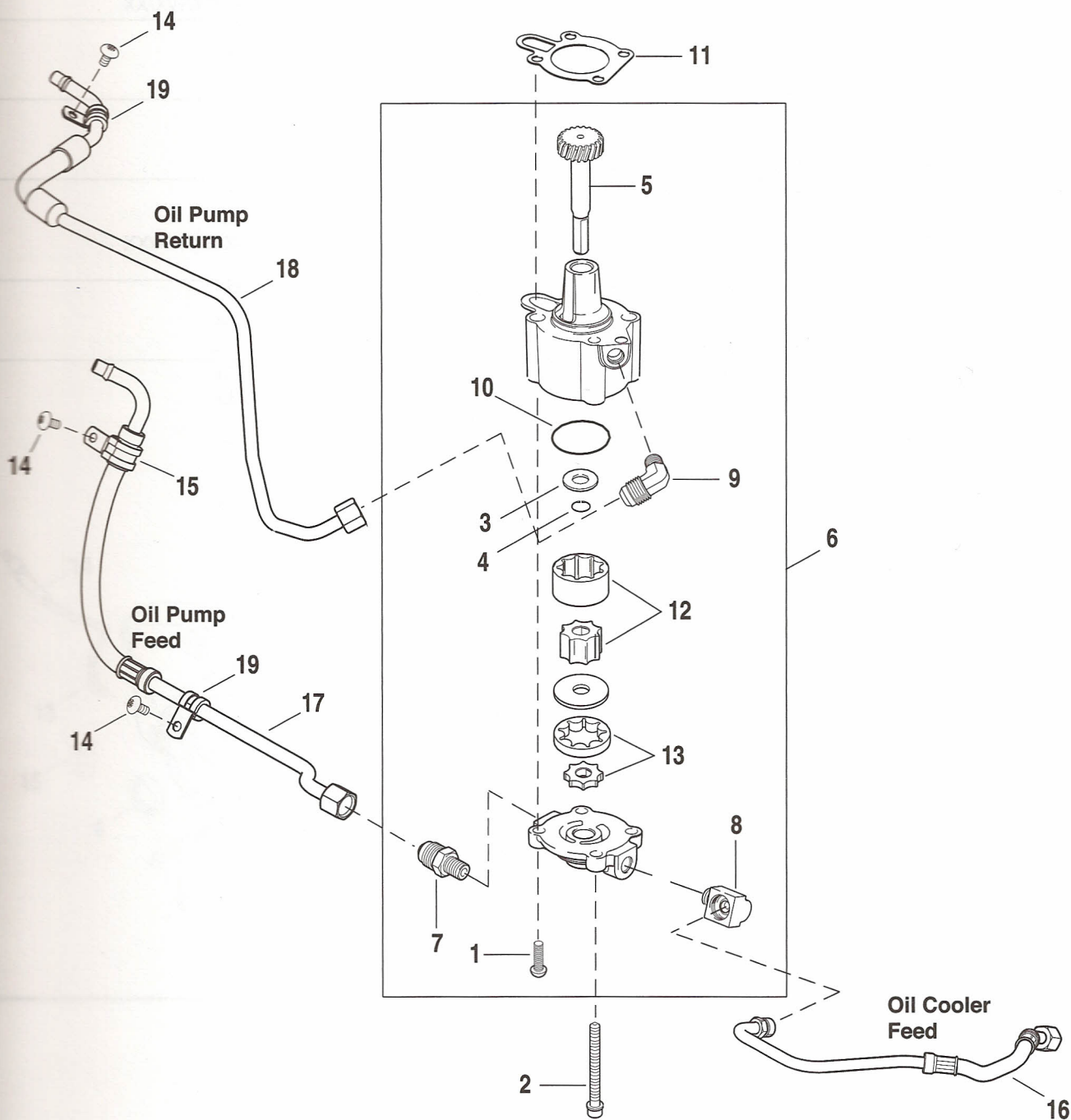
SX = 12S

WX = 12Scg

JX = 12Ss

XX = 12STT

# OIL PUMP



INDEX NO.	PART NO.	DESCRIPTION	MODEL(S)
1	4132	SCREW (2)	ALL
2	4765	SCREW, sems (2)	ALL
3	6157	WASHER	ALL
4	11002	RETAINING RING	ALL
5	26239-07	GEAR SHAFT	ALL
6	26357-02B	OIL PUMP, complete	ALL
7	26358-02A	FITTING, connector	ALL
8	26359-02A	FITTING, connector - 45 degree	ALL
9	26361-02A	FITTING, 90 degree	ALL
10	26434-91	O-RING	ALL
11	26495-89B	GASKET, pump mounting	ALL
12	26502-07	GEROTOR SET, return	ALL
13	26503-07	GEROTOR SET, feed	ALL
14	AA0404.11CXVB	SCREW (3)	ALL
15	H0404.8	CLAMP, 9/16 in. cushioned	ALL
16	HS0008.1AD	OIL LINE, oil cooler feed	ALL
	HS0009.1AD	OIL LINE, oil cooler return (not illustrated)	ALL
17	HS0022.4A8	OIL LINE, oil pump feed	ALL
18	HS0023.4A8	OIL LINE, oil pump return	ALL
	HS0024.4A8	OIL LINE, vent (not illustrated)	ALL
	Y0157.4A8	SLEEVE, oil return line protective cover (not illustrated)	ALL
19	Q0300.4A8	CLAMP, oil line cushioned (2)	ALL

## 2007 MODEL IDENTIFICATION CODES

KX = 9SX

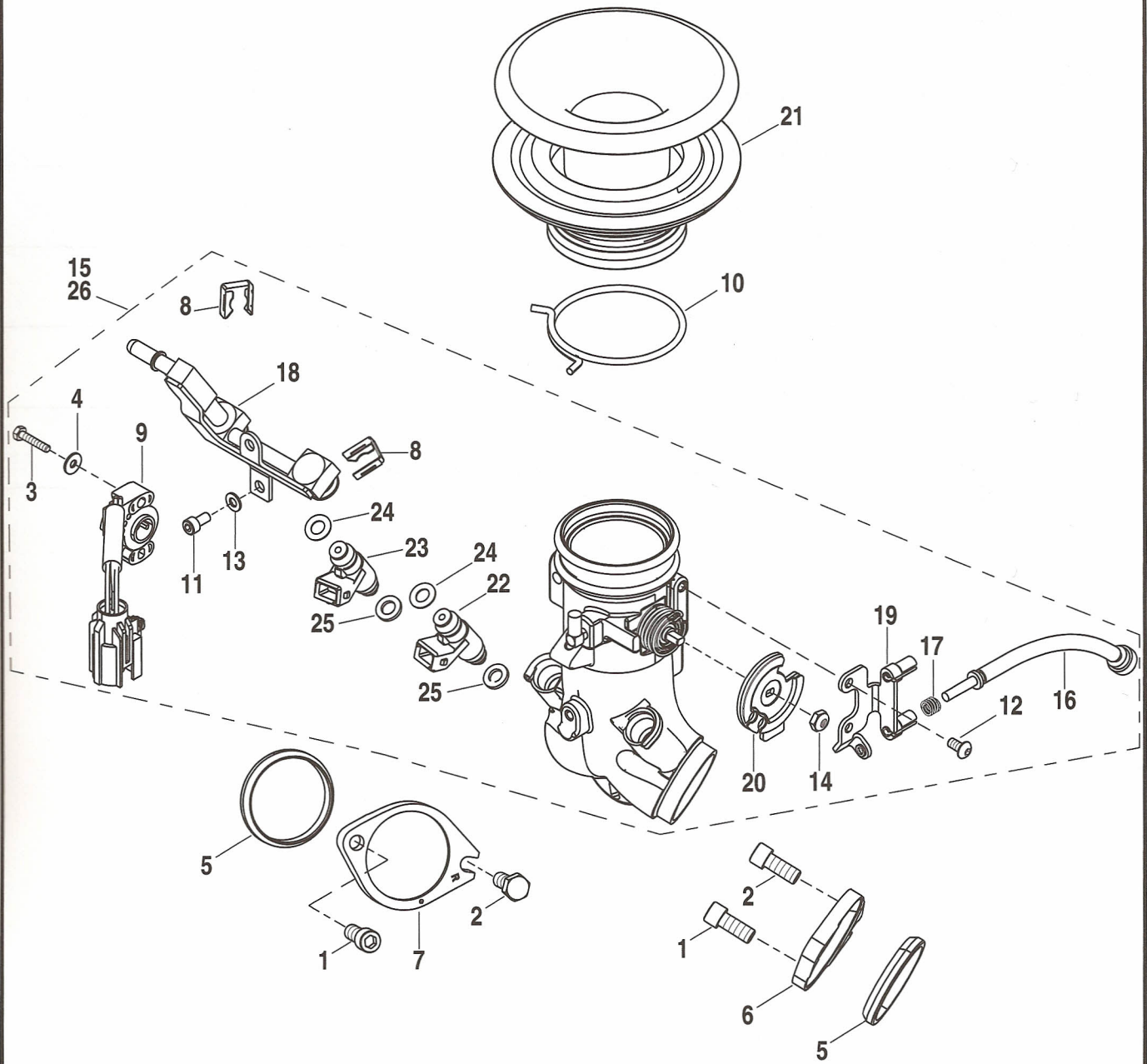
SX = 12S

WX = 12Scg

JX = 12Ss

XX = 12STT

# INDUCTION MODULE - ELECTRONIC FUEL INJECTION



INDEX NO.	PART NO.	DESCRIPTION	MODEL(S)
1	3275	SCREW (2)	ALL
2	3987	BOLT (2)	ALL
3	3323Y	SCREW (2)	ALL
4	6090Y	WASHER, flat (2)	ALL
5	26995-86B	SEAL, intake manifold (2)	ALL
6	27009-86A	MOUNTING FLANGE, front intake	ALL
7	27010-86A	MOUNTING FLANGE, rear intake	ALL
8	29534-99Y	CLIP, injector (2)	ALL
9	P0279.3AA	THROTTLE POSITION SENSOR	ALL
10	C0054.1AA	CLAMP, wire spring, 49mm	ALL
11	CA0024.2A8	SCREW	ALL
12	CA0026.02A8	SCREW (2)	ALL
13	CB0015.2A8	WASHER, flat	ALL
14	CD0012.02A8	NUT	ALL
15	P0803.1AAA	THROTTLE BODY MANIFOLD ASSEMBLY, 49MM	JX/SX/WX/XX
	P0803.2A8A	THROTTLE BODY MANIFOLD ASSEMBLY, 45MM	KX
16	P0011.02A8	ADJUSTER, idle	ALL
17	P0012.02A8	SPRING, idle adjuster	ALL
18	P0013.1AA	FUEL RAIL	ALL
19	P0023.02A8	BRACKET, cable	ALL
20	P0024.02A8	THROTTLE LEVER ASSEMBLY	ALL
21	P0025.1AAA	VELOCITY STACK, 49mm	ALL
22	P0026.1AA	FUEL INJECTOR, front	ALL
23	P0027.1AA	FUEL INJECTOR, rear	ALL
24	P0028.02A8	O-RING, fuel injector inlet (2)	ALL
25	P0029.02A8	O-RING, fuel injector outlet (2)	ALL
<b>INTERNATIONAL MODELS ONLY</b>			
26	P0815.2AAA	THROTTLE BODY MANIFOLD (JAPAN)	JX/SX/WX/XX
	P0815.3A8A	THROTTLE BODY MANIFOLD (JAPAN)	KX

## 2007 MODEL IDENTIFICATION CODES

KX = 9SX

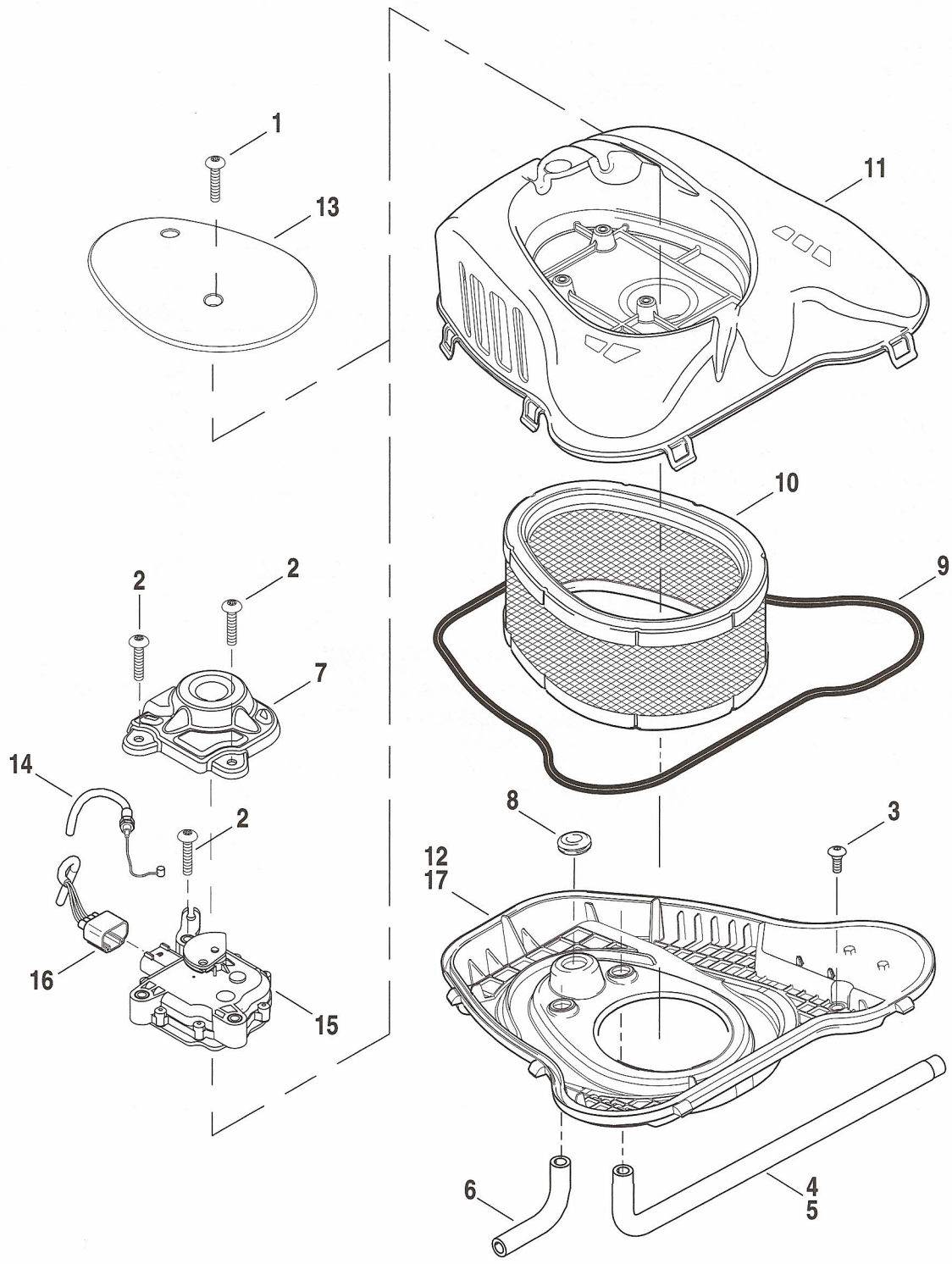
SX = 12S

WX = 12Scg

JX = 12Ss

XX = 12STT

# AIR CLEANER



INDEX NO.	PART NO.	DESCRIPTION	MODEL(S)
1	AN1004.3FKZB	SCREW (2)	KX
2	AN1010.11FVB	SCREW (3)	JX/SX/WX/XX
3	CA0012.02A8	SCREW, shoulder (4)	ALL
4	HS0014.02A8	SLEEVE	ALL
5	HS0016.02A8	BREATHER HOSE, front, w/ HS0014.02A8	ALL
6	HS0455.02A8	BREATHER HOSE, rear	ALL
7	M0234.3AC	WASHER, eva cover (not illustrated) (2)	SX/WX
	S0001.3AC	ISOLATOR, EVA, upper	SX/WX
	P0138.K	SENSOR, air intake (not illustrated - see Switches, Connectors, Sensors & Miscellaneous)	ALL
8	P0139.K	GROMMET	ALL
9	P0144.02A8	SEAL, air cleaner	ALL
10	P0213.02A8	FILTER ELEMENT	ALL
11	P0215.3AA	COVER, air cleaner	ALL
12	P1700.1AK	BASEPLATE ASSEMBLY, w/ P0144.02A8	ALL
13	S0002.2AJ	COVER	KX
14	S0137.1AA	CABLE, interactive exhaust	JX/SX/WX/XX
15	S0138.2AA	ACTUATOR, interactive exhaust	JX/SX/WX/XX
16	Y0206.1AAA	HARNESS, interactive exhaust	JX/SX/WX/XX

## INTERNATIONAL MODELS ONLY

17	P1701.3AC	BASEPLATE ASSEMBLY, w/ P0144.02A8 (Japan)	ALL
----	-----------	---	-----

## 2007 MODEL IDENTIFICATION CODES

KX = 9SX

SX = 12S

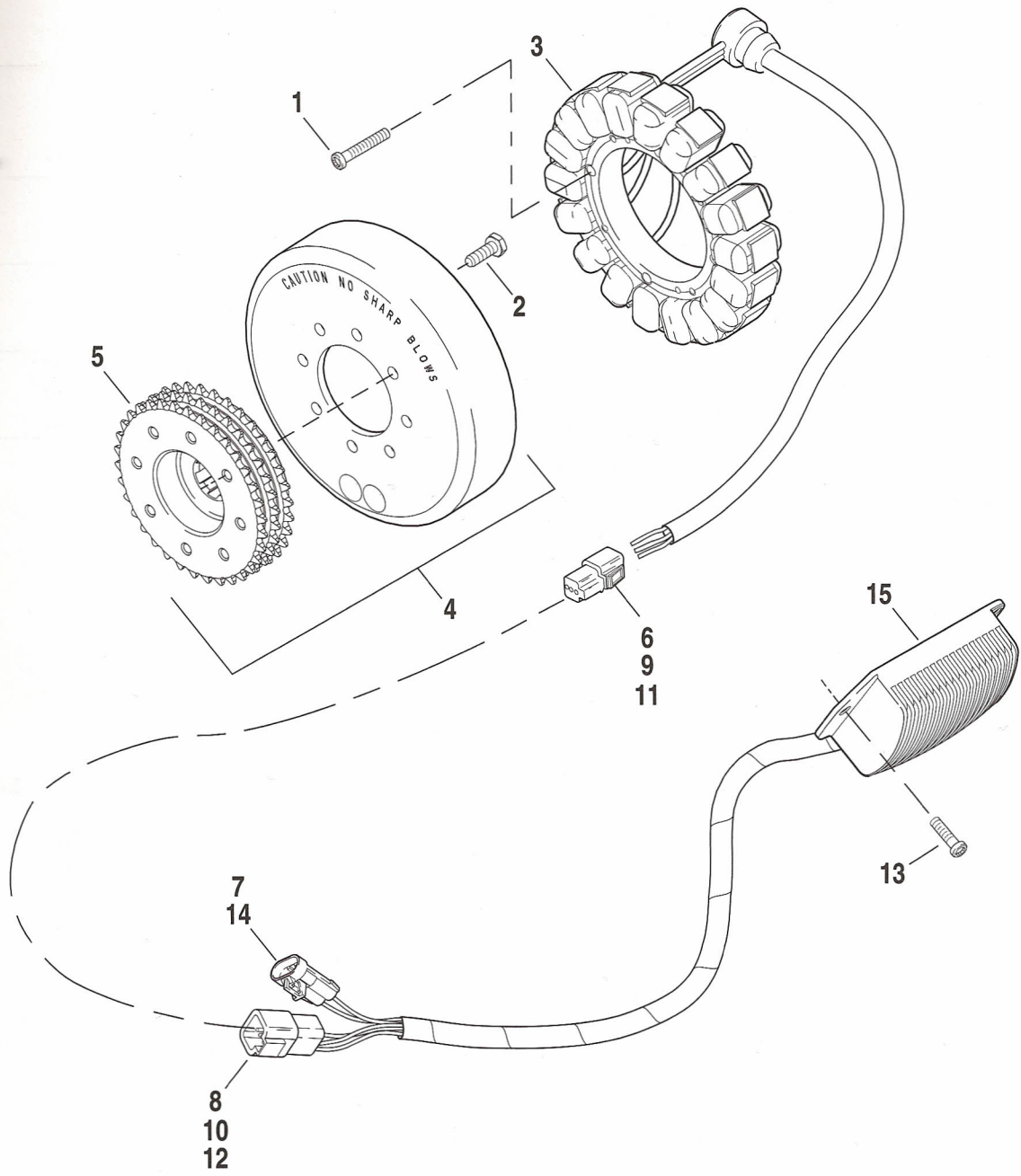
WX = 12Scg

JX = 12Ss

XX = 12STT



# ALTERNATOR & REGULATOR



INDEX NO.	PART NO.	DESCRIPTION	MODEL(S)
1	3029	SCREW (4)	ALL
2	4751	BOLT (8)	ALL
3	29971-02YA	STATOR ASSEMBLY, 3-phase, 38 AMP	ALL
4	32493-02A	ROTOR SPROCKET ASSEMBLY	KX
	32494-04A	ROTOR SPROCKET ASSEMBLY	JX/SX/WX/XX
5	40241-02	SPROCKET, triple row, 34T	KX
	40290-04	SPROCKET, triple row, 38T	JX/SX/WX/XX
6	72195-94	PLUG	ALL
7	72238-94	LOCK, secondary	ALL
8	72604-01BK	HOUSING PIN, 4-way, black	ALL
9	72614-01BK	SOCKET, 4 way (black)	ALL
10	72644-01	LOCK, secondary, 4-way	ALL
11	72654-01	LOCK, secondary, 4 way socket	ALL
12	72690-01	PIN TERMINAL (3)	ALL
13	AN1004.2CZ	SCREW (3)	ALL
	C0089.4A8	INSERT, voltage regulator (not illustrated)	ALL
	Y0135.02A8	TERMINAL, voltage regulator/terminal & seal set (not illustrated)	ALL
14	Y0145.02A8	TERMINAL & SEAL SET	ALL
15	Y0302.02A8	VOLTAGE REGULATOR	ALL

## 2007 MODEL IDENTIFICATION CODES

KX = 9SX

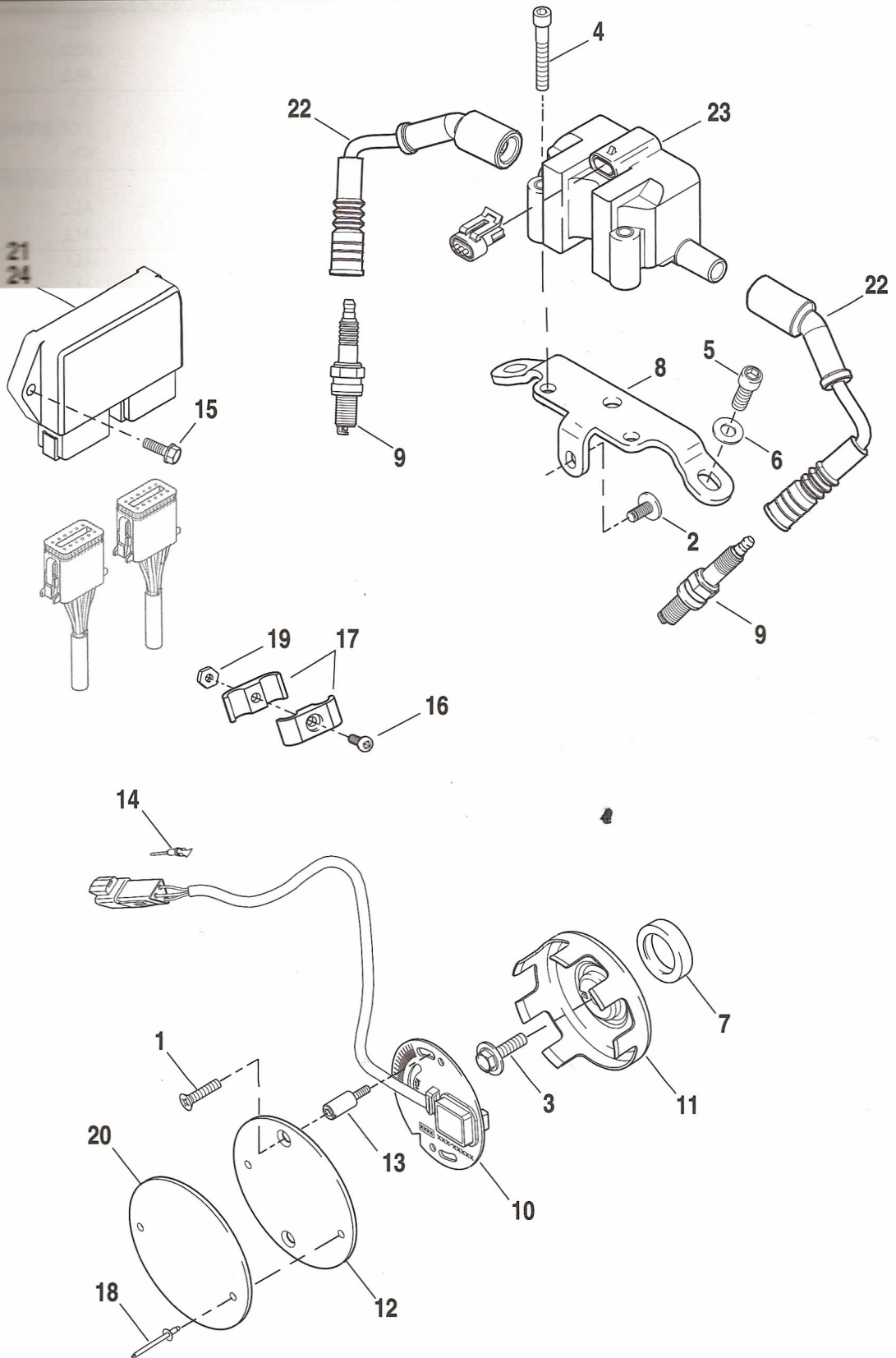
SX = 12S

WX = 12Scg

JX = 12Ss

XX = 12STT

# ELECTRONIC IGNITION SYSTEM



INDEX NO.	PART NO.	DESCRIPTION	MODEL(S)
1	1601	SCREW (2)	ALL
2	2445	SCREW	ALL
3	2611C	BOLT	ALL
4	3480A	SCREW, coil mount (2)	ALL
5	4748	SCREW (2)	ALL
6	6787	WASHER (2)	ALL
7	11124	SEAL	ALL
8	16357-02A	MOUNT, cylinder brace/throttle body	ALL
9	32335-04	SPARK PLUG (2)	ALL
10	32443-04	SENSOR ASSEMBLY, w/ 72190-94	ALL
11	32473-02	CUP, trigger rotor	ALL
12	32504-80A	COVER, timer - inner	ALL
13	32606-82	STUD (2)	ALL
14	72190-94	TERMINAL, single socket	ALL
15	AA0406.21CZB	SCREW (2)	ALL
16	AN1005.14FZB	SCREW (2-JX/XX, 3-KX/SX/WX)	ALL
17	C0034.02A8	CLAMP, 3/8 in. holes (2-JX/XX, 3-KX/SX/WX)	ALL
18	C0044.02A8A	RIVET, black (2)	ALL
19	DN1000.10FZB	NUT (2-JX/XX, 3-KX/SX/WX)	ALL
20	T0111.2AC	COVER, timer - outer	SX/WX
	T0111.1AJ	COVER, timer - outer	KX
	T0111.1AN	COVER, timer - outer	JX
	T0111.1AS	COVER, timer - outer	XX
21	Y0152.3A8	ELECTRONIC CONTROL MODULE	ALL
22	Y0204.02A8C	WIRE, spark plug (2)	ALL
23	Y0300.02A8	IGNITION COIL	ALL
<b>INTERNATIONAL MODELS ONLY</b>			
24	Y0155.2AC	ELECTRONIC CONTROL MODULE (JAPAN)	ALL

## 2007 MODEL IDENTIFICATION CODES

KX = 9SX

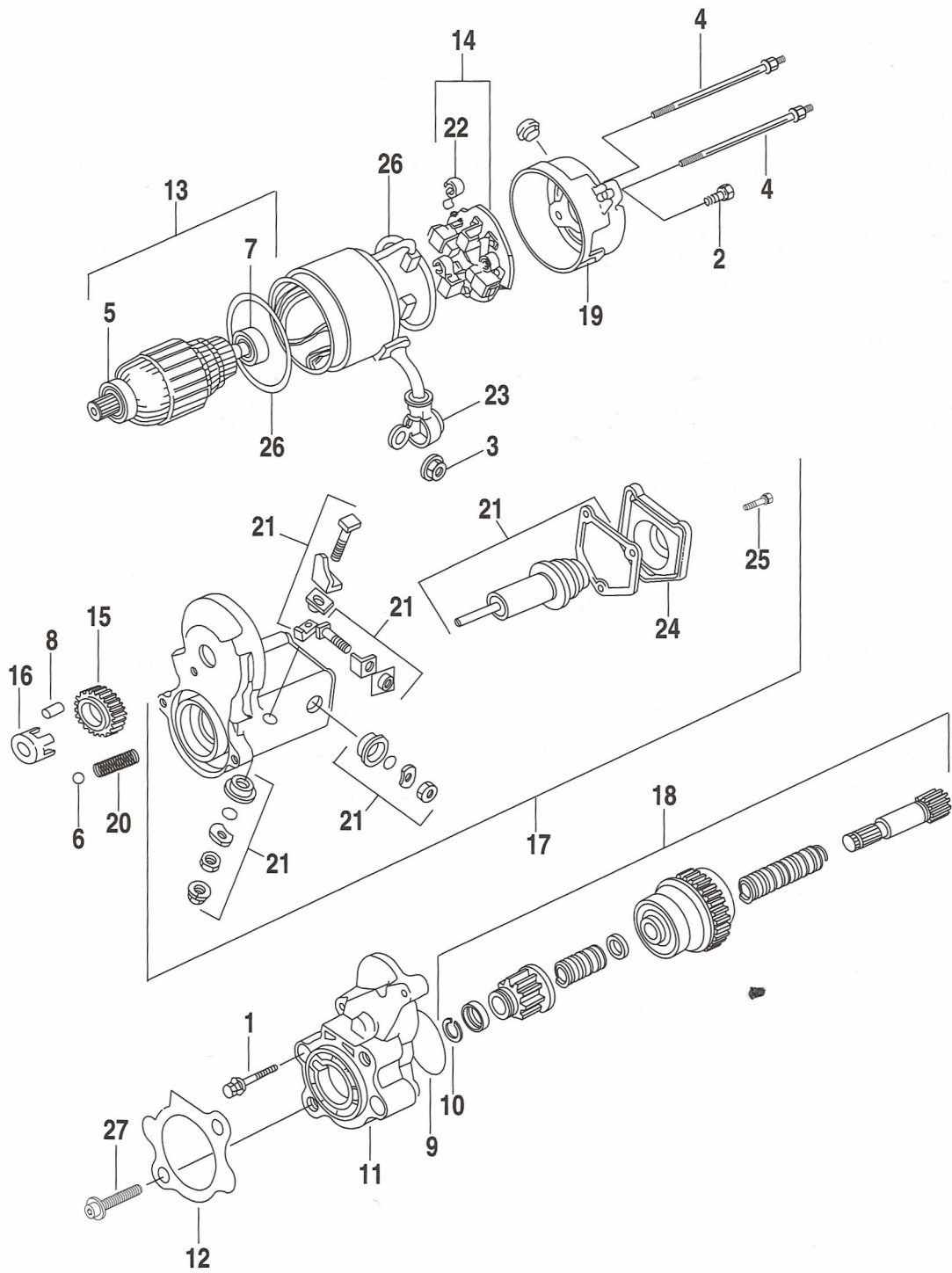
SX = 12S

WX = 12Scg

JX = 12Ss

XX = 12STT

# STARTER MOTOR



INDEX NO.	PART NO.	DESCRIPTION	MODEL(S)
1	928	BOLT, starter (2)	ALL
2	929A	SCREW, w/ o-ring (2)	ALL
3	3403	LOCKNUT	ALL
4	3559	BOLT, through (2)	ALL
5	8871	BALL BEARING	ALL
6	8879	BALL	ALL
7	8883	BALL BEARING	ALL
8	9077	CLUTCH ROLLER (5)	ALL
9	11116	O-RING	ALL
10	31328-91	RING, snap	ALL
11	31390-91E	STARTER MOTOR, complete (black)	ALL
12	31488-81B	GASKET, starter motor	ALL
13	31515-90	ARMATURE ASSEMBLY	ALL
14	31518-90	HOLDER ASSEMBLY, starter brush	ALL
15	31525-90	GEAR, idler	ALL
16	31530-90	RETAINER, idler	ALL
17	31537-98	SWITCH ASSEMBLY, magnetic	ALL
18	31556-91B	CLUTCH SUB-ASSEMBLY, w/ 31328-91 & 31390-91E	ALL
19	31599-91	FRAME, starter end	ALL
20	31600-90	SPRING, return	ALL
21	31603-91	STARTER SOLENOID REPAIR KIT	ALL
22	31661-90	SPRING, starter (4)	ALL
23	31662-90	CAP TERMINAL, rubber	ALL
24	31688-90	COVER, solenoid	ALL
25	31689-90	BOLT, w/ washer (3)	ALL
26	31695-90	O-RING, yoke (2)	ALL
27	45902-00	SCREW, w/ washer (2)	ALL

## 2007 MODEL IDENTIFICATION CODES

KX = 9SX

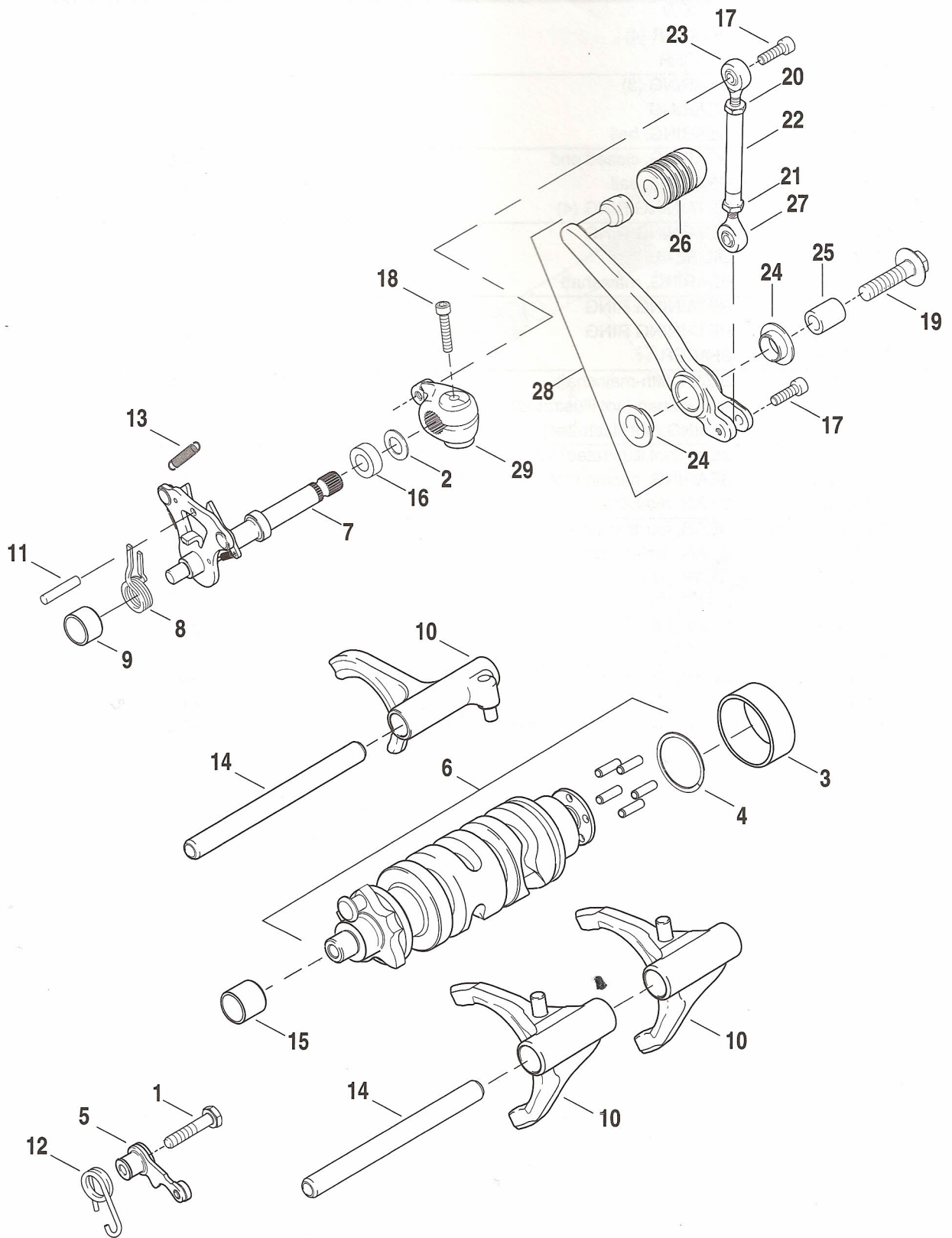
SX = 12S

WX = 12Scg

JX = 12Ss

XX = 12STT

# SHIFTER



INDEX NO.	PART NO.	DESCRIPTION	MODEL(S)
1	3997A	BOLT	ALL
2	7080	WASHER	ALL
3	9187	BEARING	ALL
4	11360	RING, retaining	ALL
5	33540-06	SPRING SLEEVE ASSEMBLY, detent	ALL
6	33641-06	SHIFTER CAM ASSEMBLY, w/ 11360	ALL
	33900-99	SWITCH, neutral (not illustrated)	ALL
7	34014-06	SHIFTER LEVER ASSEMBLY	ALL
8	34064-00B	SPRING, shifter return	ALL
9	34076-02	BUSHING	ALL
10	34157-06	FORK ASSEMBLY, shifter (3)	ALL
11	34163-02	PIN, shifter stop	ALL
12	34483-06	SPRING, detent	ALL
13	34491-02A	SPRING, extension (2)	ALL
14	34981-02	SHAFT, shifter forks (2)	ALL
15	34982-02	BUSHING, right hand crankcase	ALL
16	37107-06	OIL SEAL	ALL
17	AN1006.2CXZB	BOLT (2)	ALL
18	AN1009.2CXZB	BOLT	ALL
19	CA0015.02A8	BOLT, flange head	ALL
20	CD0007.02A8	JAM NUT	ALL
21	DN1000.4FZB	JAM NUT, thin	ALL
22	N0320.02A8	LINKAGE ASSEMBLY, shifter w/ 20, 21, 23 & 27	ALL
23	N0507.01A1A	ROD END, shift linkage, male right hand thread	ALL
24	N0513.T	BEARING, pedal (2)	ALL
25	N0599.02A8A	SLEEVE, shift/brake lever	ALL
26	N0600.02A8A	TOE PEG, shift lever	ALL
27	N0606.02A8A	ROD END, shift linkage, male left hand thread	ALL
28	N0630.02A8A	SHIFT PEDAL ASSEMBLY, w/ 24 & 26	ALL
29	T0225.02A8	LEVER, engine	ALL

## 2007 MODEL IDENTIFICATION CODES

KX = 9SX

SX = 12S

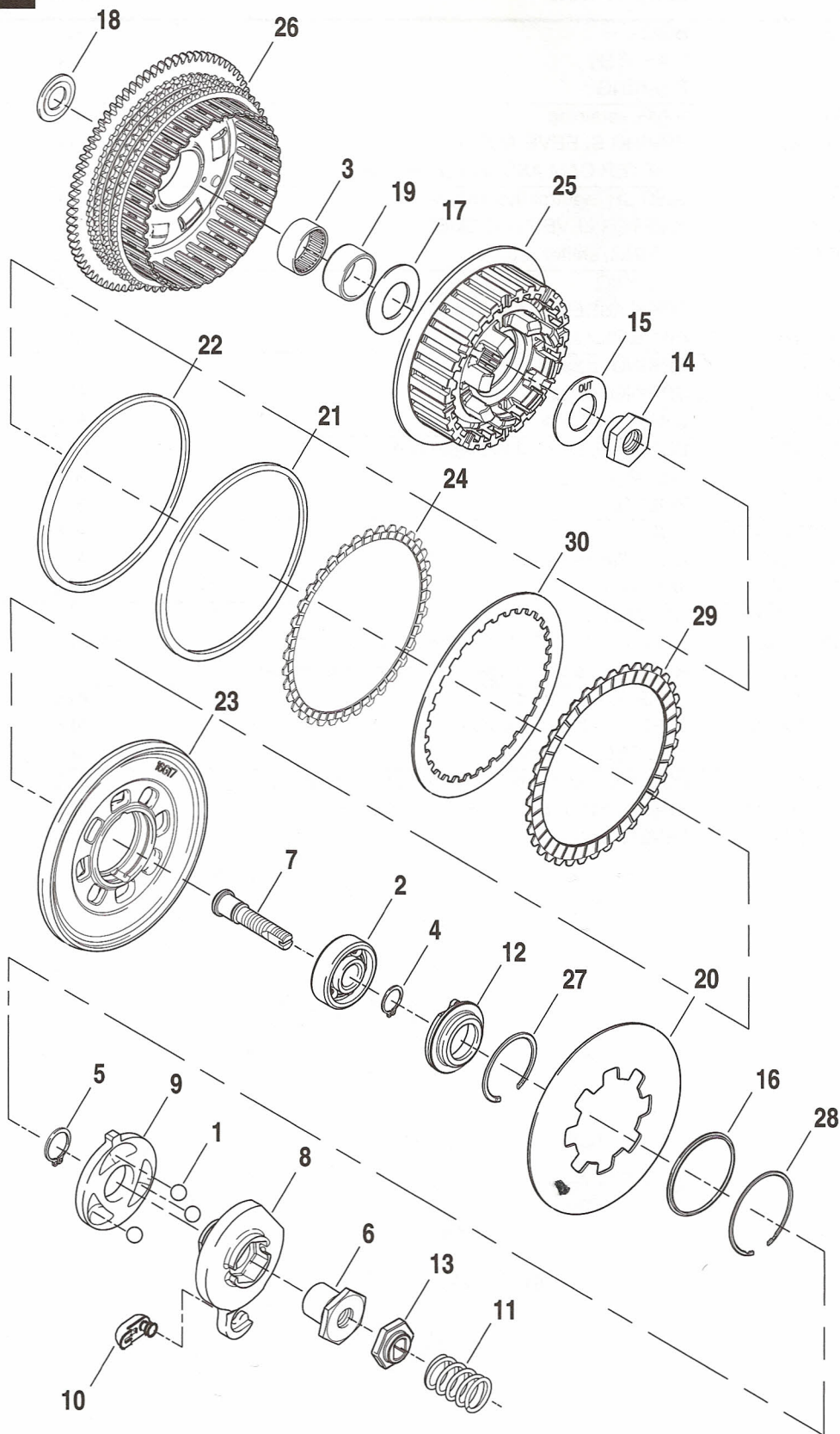
WX = 12Scg

JX = 12Ss

XX = 12STT



# CLUTCH



INDEX NO.	PART NO.	DESCRIPTION	MODEL(S)
1	8873	BALL (3)	ALL
2	8885	BALL BEARING	ALL
3	9214	NEEDLE BEARING	ALL
4	11046	RETAINING RING	ALL
5	11250	RETAINING RING	ALL
6	11730A	NUT	ALL
7	11765Y	ADJUSTMENT SCREW	ALL
8	25409-94B	RAMP, outer	ALL
9	25453-87A	RAMP, inner	ALL
10	34920-86A	COUPLING, clutch cable	ALL
11	36715-94	SPRING, clutch adjustment	ALL
12	36731-91	RELEASE PLATE ASSEMBLY, w/ 8885	ALL
13	36802-84B	LOCKPLATE, well type	ALL
14	37495-91	NUT, main shaft	ALL
15	37870-91	SPRING WASHER	ALL
16	37872-90	SEAT, spring - inner	ALL
17	37890-02	THRUSTWASHER, inner	ALL
18	37891-02	THRUSTWASHER, outer	ALL
19	37892-02	INNER RACE, needle bearing	ALL
20	37934-06	SPRING, clutch	ALL
21	37894-02	SPRING, damper	ALL
22	37895-02	SEAT, damper spring	ALL
23	37896-02	PRESSURE PLATE	ALL
24	37897-02	FRICTION PLATE, narrow	ALL
25	37898-02	CLUTCH HUB	ALL
26	37899-02A	CLUTCH SHELL & SPROCKET, w/ 9214	ALL
27	37908-90	RETAINING RING	ALL
28	37909-90	RETAINING RING	ALL
29	37911-90	FRICTION PLATE (paper) (7)	ALL
30	37913-90	STEEL PLATE (7)	ALL

## 2007 MODEL IDENTIFICATION CODES

KX = 9SX

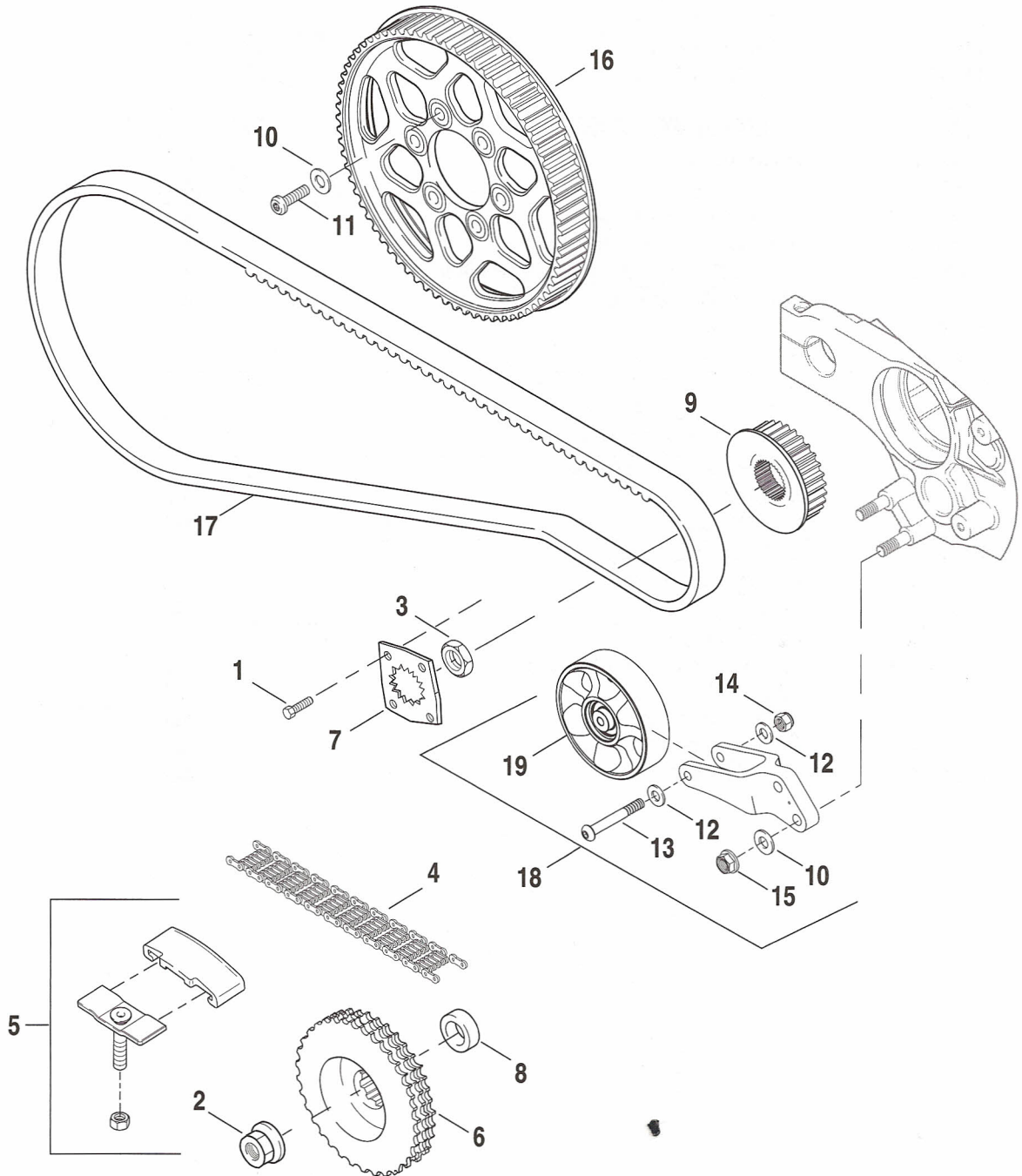
SX = 12S

WX = 12Scg

JX = 12Ss

XX = 12STT

# BELTS & SPROCKETS



INDEX NO.	PART NO.	DESCRIPTION	MODEL(S)
1	3594	SCREW (2)	ALL
2	7839	NUT, engine sprocket	ALL
3	35211-91B	NUT, transmission sprocket	ALL
4	40005-57B	PRIMARY CHAIN	KX
	40147-04	PRIMARY CHAIN	JX/SX/WX/XX
5	40039-02B	ADJUSTER ASSEMBLY, chain w/ shoe, collar, plate & screw	ALL
6	40241-02	SPROCKET, triple row, 34T	KX
	40290-04	SPROCKET, triple row, 38T	JX/SX/WX/XX
7	40251-92A	LOCK PLATE	ALL
8	40254-02	SPACER, sprocket shaft	ALL
9	40288-95	SPROCKET ASSEMBLY, transmission, 27T	ALL
10	6400HB	WASHER (8)	ALL
11	AA0609.11CXZB	SCREW (6)	ALL
12	BA0511.2Z	WASHER (2)	ALL
13	CA0020.02A8	SCREW	ALL
14	DA0500.2CZ	LOCKNUT	ALL
15	DA0600.12FAZB	LOCKNUT, flange (2)	ALL
16	G0400.1AA	REAR SPROCKET, 65T	ALL
17	G0500.1AAE	DRIVE BELT	KX/SX/WX
	G0500.1AKD	DRIVE BELT	JX/XX
18	G0604.1AAA	IDLER PULLEY ASSEMBLY, w/ pulley wheel & bracket (1 dimple) (shown)	KX/SX/WX
	G0604.1AK	IDLER PULLEY ASSEMBLY, w/ pulley wheel & bracket (2 dimples)	JX/XX
19	G0614.02A8D	WHEEL, idler pulley	ALL

## 2007 MODEL IDENTIFICATION CODES

KX = 9SX

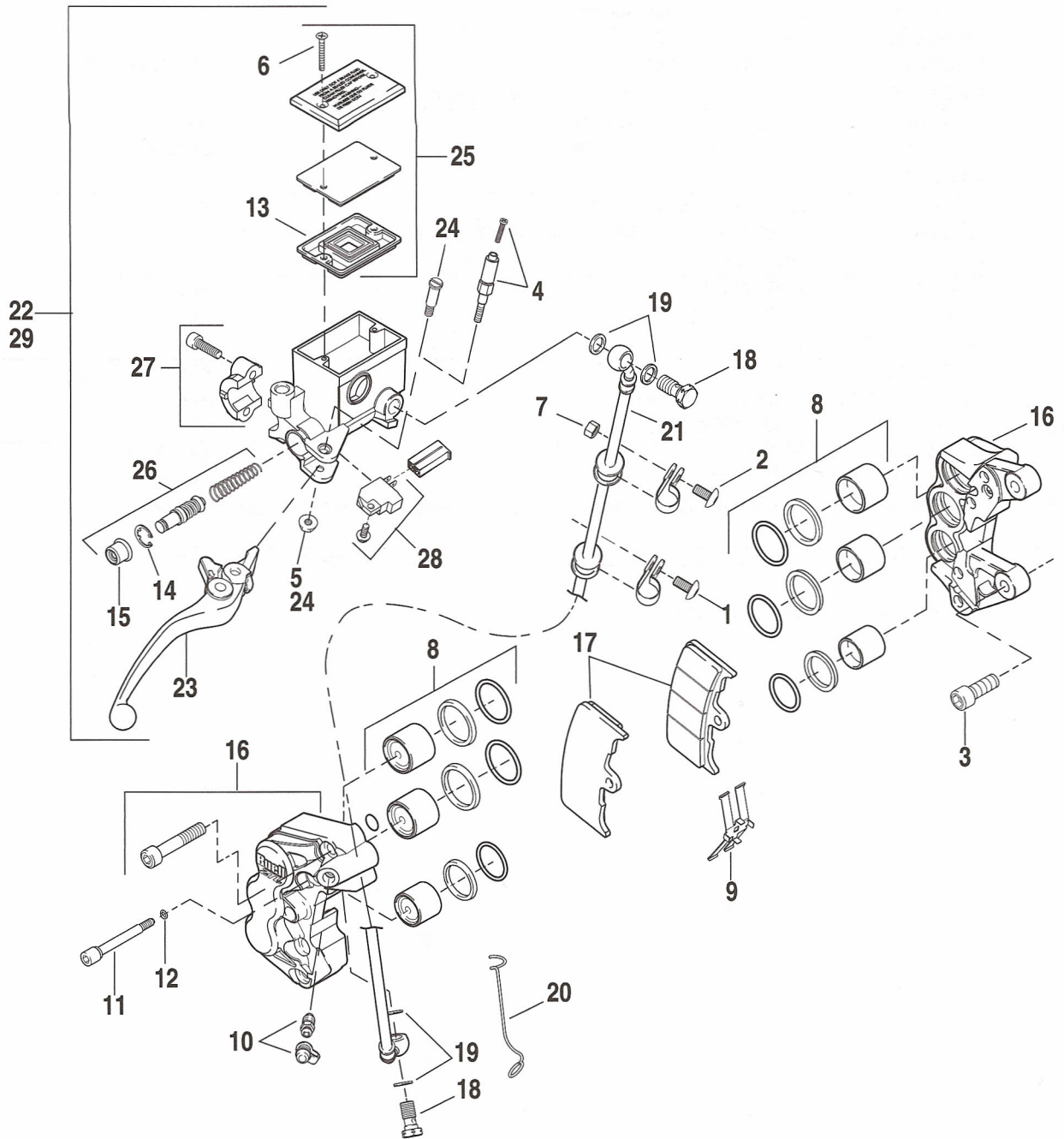
SX = 12S

WX = 12Scg

JX = 12Ss

XX = 12STT

# FRONT BRAKE CONTROL & CALIPER



INDEX NO.	PART NO.	DESCRIPTION	MODEL(S)
1	AA0404.11CVB	SCREW	ALL
2	AA0406.11CVB	SCREW	ALL
3	AA0608.2CXZB	SCREW, front brake caliper (2)	ALL
4	C0064.1AJ	BRAKE PIVOT SHAFT	KX/XX
5	CD0013.9	JAM NUT	KX/XX
6	CA0200.R	SCREW, front master cylinder cover (2)	ALL
7	DA0400.2CZ	LOCKNUT	ALL
8	H0020.02A8	PISTON SET	ALL
9	H0021.02A8	PAD SPRING, caliper	ALL
10	H0022.F	FITTING, brake bleeder w/ cap	ALL
11	H0031.02A8	PIN HANGER SET, caliper	ALL
12	H0032.02A8	STOPPER, front caliper	ALL
13	H0035.9	DIAPHRAGM COVER, front master cylinder	ALL
14	H0054.9	CIRCLIP, brake piston	ALL
15	H0055.9	BOOT, brake piston	ALL
16	H0110.02A8	BRAKE CALIPER ASSEMBLY, front w/ 8, 9, 10, 11, 12 & 17	ALL
17	H0300.02A8	BRAKE PAD	ALL
18	H0405.9B	BANJO BOLT, master cylinder (2)	ALL
19	H0412.01A0	WASHER (4)	ALL
20	H0418.02A8A	WIRE FORM, brake line	ALL
21	H1531.1AD	BRAKE LINE ASSEMBLY, front w/ 18 & 19	JX/KX/SX/WX
	H1531.1AS	BRAKE LINE ASSEMBLY, front w/ 18 & 19	XX
22	N0200.02A8	MASTER CYLINDER ASSEMBLY, front, complete w/ 14, 15, 23, 24, 25, 26, 27 & 28	JX/SX/WX
	N0200.1AJ	MASTER CYLINDER ASSEMBLY, front, complete w/ 4, 5, 14, 15, 23, 25, 26, 27 & 28	KX/XX
23	N1202.02A8	LEVER, front brake w/ N0203.9	JX/SX/WX
	N1202.1AJ	LEVER, front brake w/ CD0013.9 & C0064.1AJ	KX/XX
24	N0203.9	PIVOT BOLT KIT, w/ nut	JX/SX/WX
25	N0210.R	CAP SET	ALL
26	N0220.F	REPAIR KIT, front master cylinder	ALL
27	N0259.9	CLAMP, front master cylinder	ALL
28	Y0810.9	SWITCH KIT, brake lever	ALL
<b>INTERNATIONAL MODELS ONLY</b>			
29	N0096.02A8	MASTER CYLINDER ASSEMBLY, complete w/ 14, 15, 23, 24, 25, 26, 27, 28 & label (JAPAN)	JX/SX/WX
	N0096.1AJ	MASTER CYLINDER ASSEMBLY, complete w/ 14, 15, 23, 24, 25, 26, 27, 28 & label (JAPAN)	KX/XX

## 2007 MODEL IDENTIFICATION CODES

KX = 9SX

SX = 12S

WX = 12Scg

JX = 12Ss

XX = 12STT



## REAR BRAKE CONTROL &amp; CALIPER - 9SX/12S/12Scg

INDEX NO.	PART NO.	DESCRIPTION	MODEL(S)
1	A0620.2CZB	BOLT	KX/SX/WX
2	A0620.5CZB	SCREW (2)	KX/SX/WX
3	AA0406.11CVB	SCREW	KX/SX/WX
4	AA0620.2CZB	SCREW (2)	KX/SX/WX
5	B0613.1Z	WASHER	KX/SX/WX
6	C0148.T	COTTER PIN	KX/SX/WX
7	C0232.TA	CLEVIS PIN, rear master cylinder	KX/SX/WX
8	CA0015.02A8	BOLT, flange head	KX/SX/WX
9	H0022.F	FITTING, brake bleeder w/ cap	KX/SX/WX
10	H0024.F	CLIP	KX/SX/WX
11	H0026.F	PIN	KX/SX/WX
12	H0027.1AD	HOSE SET, rear master cylinder	KX/SX/WX
13	H0012.1AD	RESERVOIR & HOSE ASSEMBLY	KX/SX/WX
14	H0030.T	PISTON SET, rear caliper	KX/SX/WX
15	H0033.02A8A	CARRIER ASSEMBLY, complete w/ H0118.02A8	KX/SX/WX
16	H0034.T	BOOT SET, flange bolt	KX/SX/WX
17	H0040.F	PISTON SET, rear master cylinder	KX/SX/WX
18	H0041.F	CONNECTOR, rear master cylinder w/ o-ring & circlip	KX/SX/WX
19	H0053.T	BOOT, bracket pin	KX/SX/WX
20	H0102.02A8A	CALIPER & CARRIER, rear w/ 9, 10, 11, 14, 15, 16, 19, 21, 22 & 27	KX/SX/WX
21	H0105.F	BOLT, flange caliper	KX/SX/WX
22	H0106.F	PIN BOLT, rear caliper	KX/SX/WX
23	H0118.02A8	RETAINER, rear caliper	KX/SX/WX
24	H0203.02A8	SWITCH, rear brake light	KX/SX/WX
25	H0205.1AA	MASTER CYLINDER, rear w/ 17, 18, 32, 34, 35	KX/SX/WX
26	H0206.T	TANK ASSEMBLY SET, master cylinder	KX/SX/WX
27	H0301.T	BRAKE PAD ASSEMBLY, rear	KX/SX/WX
28	H0405.9B	BANJO BOLT, master cylinder	KX/SX/WX
29	H0412.01A0	WASHER (4)	KX/SX/WX
30	H1522.4A8	BRAKE LINE ASSEMBLY, rear w/ H0203.02A8, H0405.9B & H0412.01A0	KX/SX/WX
31	N0505.1AD	ROD, brake linkage	KX/SX/WX
32	N0513.T	BEARING, pedal (2)	KX/SX/WX
33	N0516.T	CIRCLIP	KX/SX/WX
34	N0517.T	BOOT, brake piston	KX/SX/WX
35	N0530.02A8	PEDAL ASSEMBLY, w/ N0513.T	KX/SX/WX
36	N0599.02A8A	SLEEVE, shift/brake lever	KX/SX/WX
37	Y0303.2B	CABLE STRAP	KX/SX/WX

## 2007 MODEL IDENTIFICATION CODES

KX = 9SX

SX = 12S

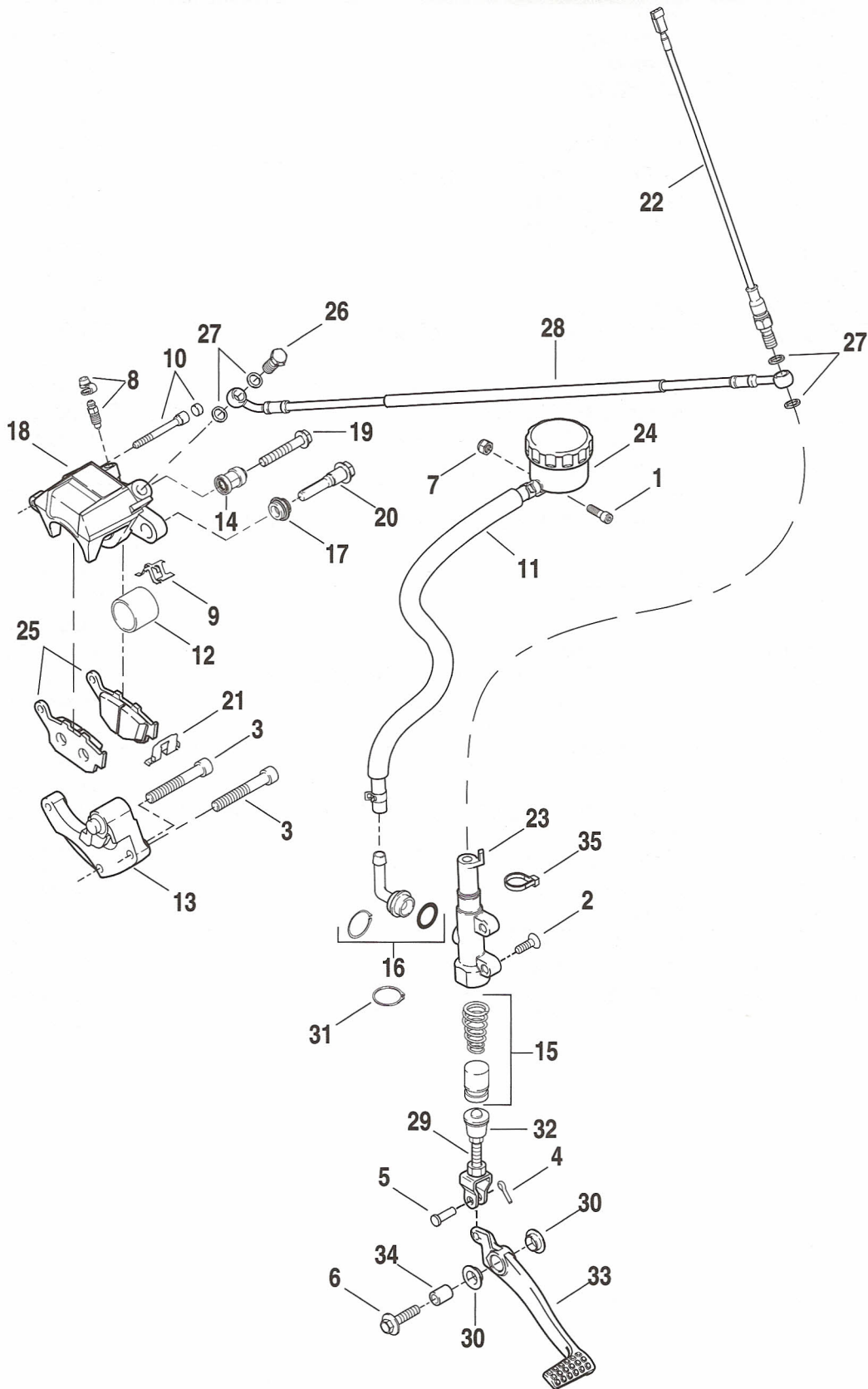
WX = 12Scg

JX = 12Ss

XX = 12STT



# REAR BRAKE CONTROL & CALIPER - 12Ss/12STT



## REAR BRAKE CONTROL &amp; CALIPER - 12Ss/12STT

INDEX NO.	PART NO.	DESCRIPTION	MODEL(S)
1	A0620.2CZB	BOLT	JX/XX
2	A0620.5CZB	SCREW (2)	JX/XX
3	AA0620.2CZB	SCREW (2)	JX/XX
4	C0148.T	COTTER PIN	JX/XX
5	C0232.TA	CLEVIS PIN, rear master cylinder	JX/XX
6	CA0015.02A8	BOLT, flange head	JX/XX
7	D0600.2CZ	LOCKNUT	JX/XX
8	H0022.F	FITTING, brake bleeder w/ cap	JX/XX
9	H0024.F	CLIP	JX/XX
10	H0026.F	PIN	JX/XX
11	H0027.1AN	HOSE, rear master cylinder	JX/XX
12	H0030.T	PISTON SET, rear caliper	JX/XX
13	H0033.02A8A	CARRIER ASSEMBLY, complete w/ H0118.02A8	JX/XX
14	H0034.T	BOOT SET, flange bolt	JX/XX
15	H0040.F	PISTON SET, rear master cylinder	JX/XX
16	H0041.F	CONNECTOR, rear master cylinder w/ o-ring & circlip	JX/XX
17	H0053.T	BOOT, bracket pin	JX/XX
18	H0102.02A8A	CALIPER & CARRIER, rear w/ 9, 10, 11, 14, 15, 16, 19, 21, 22 & 27	JX/XX
19	H0105.F	BOLT, flange caliper	JX/XX
20	H0106.F	PIN BOLT, rear caliper	JX/XX
21	H0118.02A8	RETAINER, rear caliper	JX/XX
22	H0203.02A8	SWITCH, rear brake light	JX/XX
23	H0205.1AA	MASTER CYLINDER, rear w/ 17, 18, 32, 34, 35	JX/XX
24	H0212.02A8	TANK ASSEMBLY SET, master cylinder	JX/XX
	H0045.1AN	MASTER CYLINDER ASSEMBLY, rear w/ H0027.1AN, H0205.1AA & H0212.02A8	JX/XX
25	H0301.T	BRAKE PAD ASSEMBLY, rear	JX/XX
26	H0405.9B	BANJO BOLT, master cylinder	JX/XX
27	H0412.01A0	WASHER (4)	JX/XX
28	H1522.1AN	BRAKE LINE ASSEMBLY, rear w/ H0203.02A8, H0405.9B & H0412.01A0	JX/XX
29	N0505.1AD	ROD, brake linkage	JX/XX
30	N0513.T	BEARING, pedal (2)	JX/XX
31	N0516.T	CIRCLIP	JX/XX
32	N0517.T	BOOT, brake piston	JX/XX
33	N0530.02A8	PEDAL ASSEMBLY, w/ N0513.T	JX/XX
34	N0599.02A8A	SLEEVE, shift/brake lever	JX/XX
35	Y0303.2B	CABLE STRAP	JX/XX

## 2007 MODEL IDENTIFICATION CODES

KX = 9SX

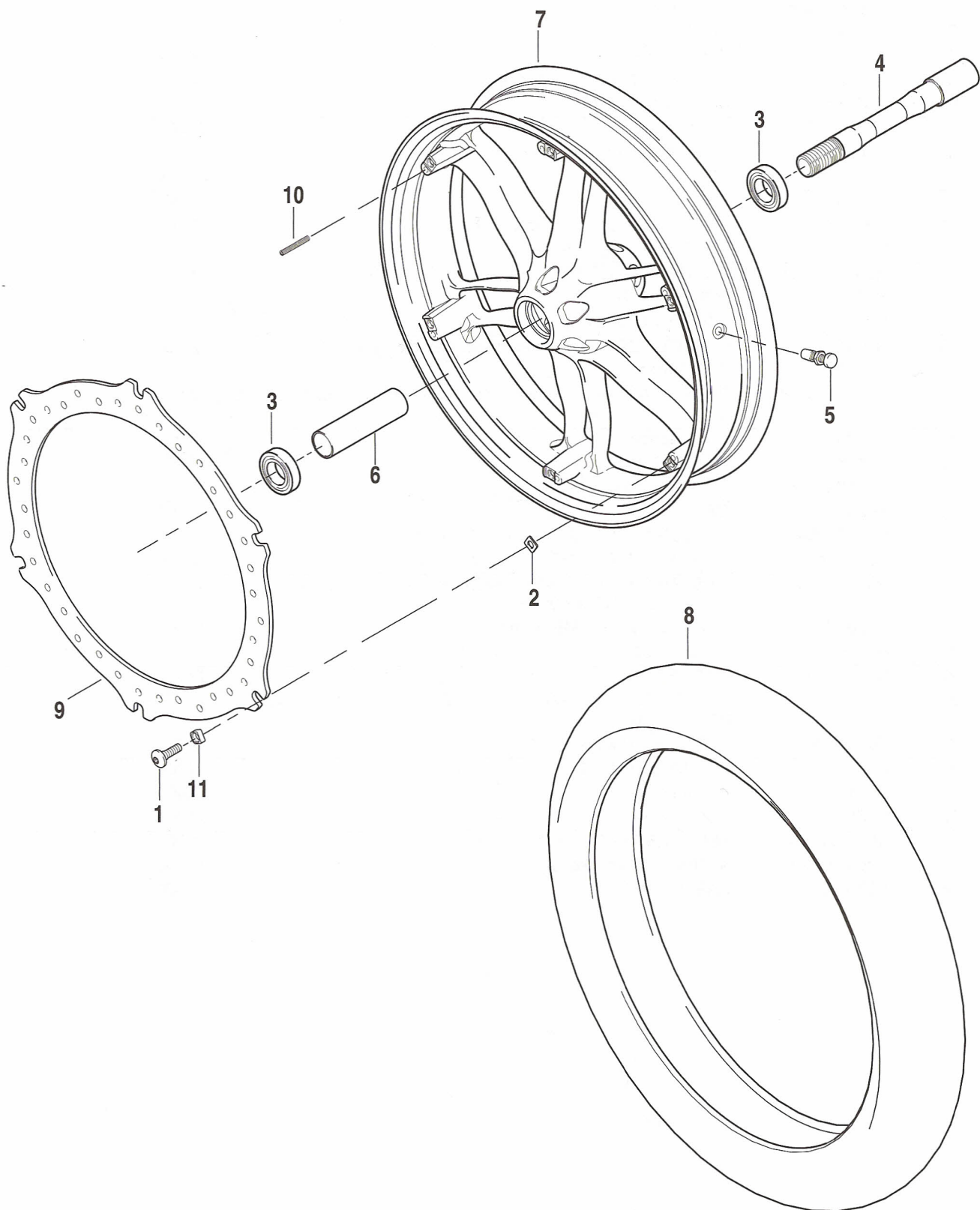
SX = 12S

WX = 12Scg

JX = 12Ss

XX = 12STT

# FRONT WHEEL



INDEX NO.	PART NO.	DESCRIPTION	MODEL(S)
1	CA0014.02A8	BOLT, front rotor (6)	ALL
2	CB0006.02A8	WASHER, drive bushing (6)	ALL
3	E0004.02A8A	BEARING (2)	ALL
4	G0120.02A8B	AXLE, front	ALL
5	G0313.02A8	VALVE STEM ASSEMBLY, w/ cap	ALL
6	G0325.02A8	AXLE SPACER, front	ALL
7	G0110.02A8AYT	WHEEL ASSEMBLY, front w/ bearings, center spacer & valve stem (designer black)	JX/KX/SX/WX/XX
	G0110.02A8AYBR	WHEEL ASSEMBLY, front w/ bearings, center spacer & valve stem (translucent amber)	SX/WX
	G0110.02A8AYCC	WHEEL ASSEMBLY, front w/ bearings, center spacer & valve stem (translucent red)	SX/WX
	G0110.02A8AYZ	WHEEL ASSEMBLY, front w/ bearings, center spacer & valve stem (sunset orange)	JX
8	G0150.1AJ	TIRE, front	KX/XX
	G0150.5A8A	TIRE, front	JX/SX/WX
9	H1201.02A8A	BRAKE ROTOR KIT, front w/ rotor, bolts, bushings, springs & washers	ALL
10	H0505.02A8	SPRING, front rotor (6)	ALL
11	H0506.02A8B	DRIVE BUSHING, front rotor mount (6)	ALL

## 2007 MODEL IDENTIFICATION CODES

KX = 9SX

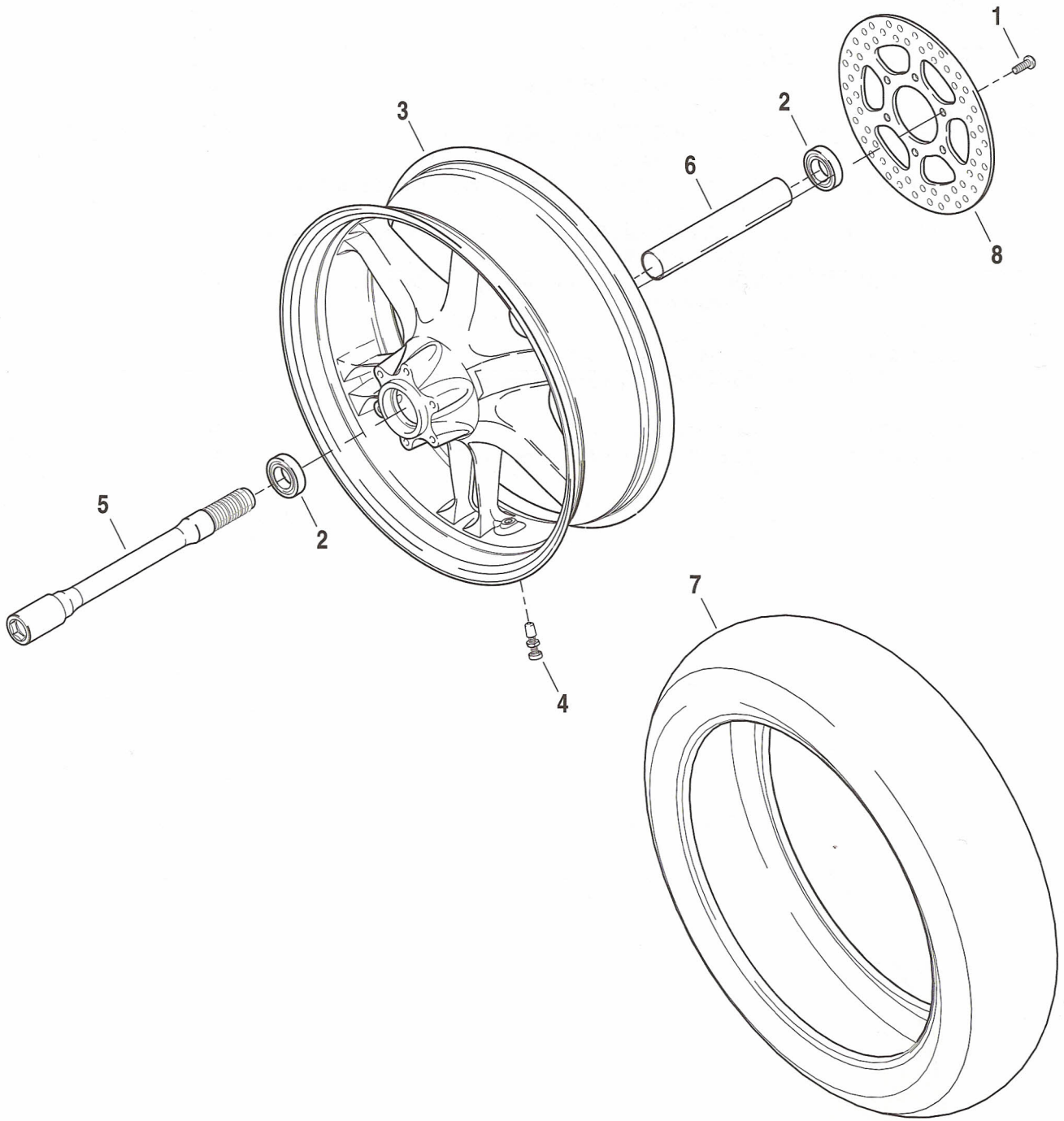
SX = 12S

WX = 12Scg

JX = 12Ss

XX = 12STT

# REAR WHEEL



INDEX NO.	PART NO.	DESCRIPTION	MODEL(S)
1	CA0005.T	BOLT, rear brake rotor (6)	ALL
2	E0005.02A8A	WHEEL BEARINGS (2)	ALL
3	G0309.02A8AYT	WHEEL ASSEMBLY, rear w/ bearings, center spacer & valve stem (designer black)	JX/KX/SX/WX/XX
	G0309.02A8AYCC	WHEEL ASSEMBLY, rear w/ bearings, center spacer & valve stem (translucent red)	SX/WX
	G0309.02A8AYBR	WHEEL ASSEMBLY, rear w/ bearings, center spacer & valve stem (translucent amber)	SX/WX
	G0309.02A8AYZ	WHEEL ASSEMBLY, rear w/ bearings, center spacer & valve stem (sunset orange)	JX
4	G0313.02A8	VALVE STEM ASSEMBLY, w/ cap	ALL
5	G0321.02A8A	AXLE, rear	ALL
6	G0323.02A8	AXLE SPACER, rear	ALL
7	G0350.1AJ	TIRE, rear	KX/XX
	G0350.5A8A	TIRE, rear	JX/SX/WX
8	H0150.02A8	BRAKE ROTOR, rear	ALL

## 2007 MODEL IDENTIFICATION CODES

KX = 9SX

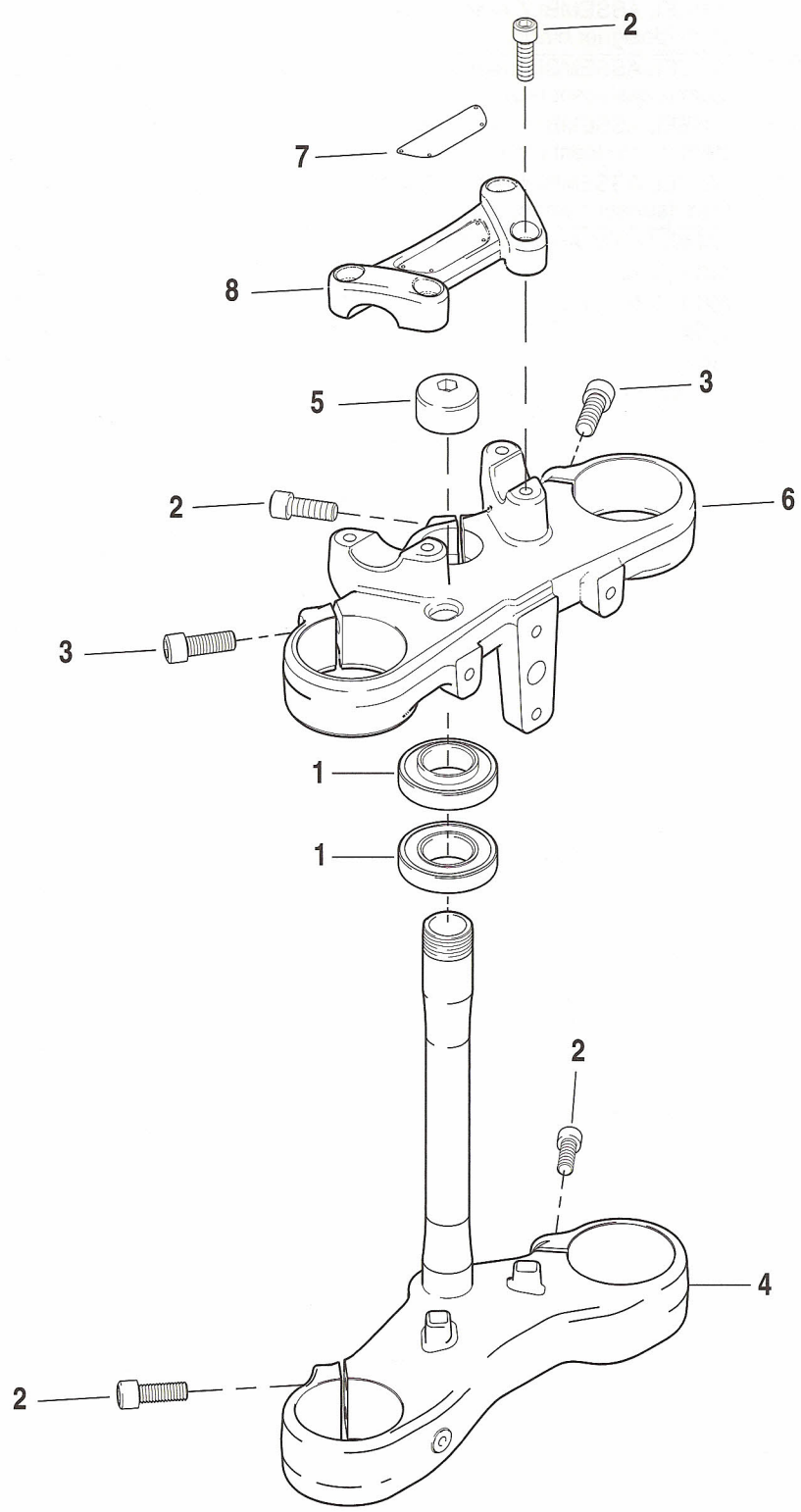
SX = 12S

WX = 12Scg

JX = 12Ss

XX = 12STT

# STEERING HEAD



INDEX NO.	PART NO.	DESCRIPTION	MODEL(S)
1	E0002.02A8A	BEARING (2)	ALL
2	AA0508.2CXZB	SCREW (9)	ALL
3	AA0608.2CXZB	SCREW (2)	ALL
4	J0106.02A8C	TRIPLE CLAMP ASSEMBLY, lower - w/ stem	WX
	J0106.3A8A	TRIPLE CLAMP ASSEMBLY, lower - w/ stem	KX/SX
	J0106.1AKEYBD	TRIPLE CLAMP ASSEMBLY, lower - w/ stem	JX/XX
5	J0135.02A8A	NUT	ALL
6	J1105.1ADA	TRIPLE CLAMP, upper w/ AA0508.2CXZB	KX/SX/WX
	J0105.1AKCYBD	TRIPLE CLAMP, upper	JX/XX
7	M0675.1AC	GRAPHIC PANEL, upper triple	SX/WX
	N0675.1AN	GRAPHIC PANEL, upper triple	JX
	M0675.1AS	GRAPHIC PANEL, upper triple	XX
8	N0348.1ADYT	HANDLEBAR CLAMP (designer black)	KX
	N0348.1ADYBQ	HANDLEBAR CLAMP (magnesium tone)	JX/SX/WX/XX

## 2007 MODEL IDENTIFICATION CODES

KX = 9SX

SX = 12S

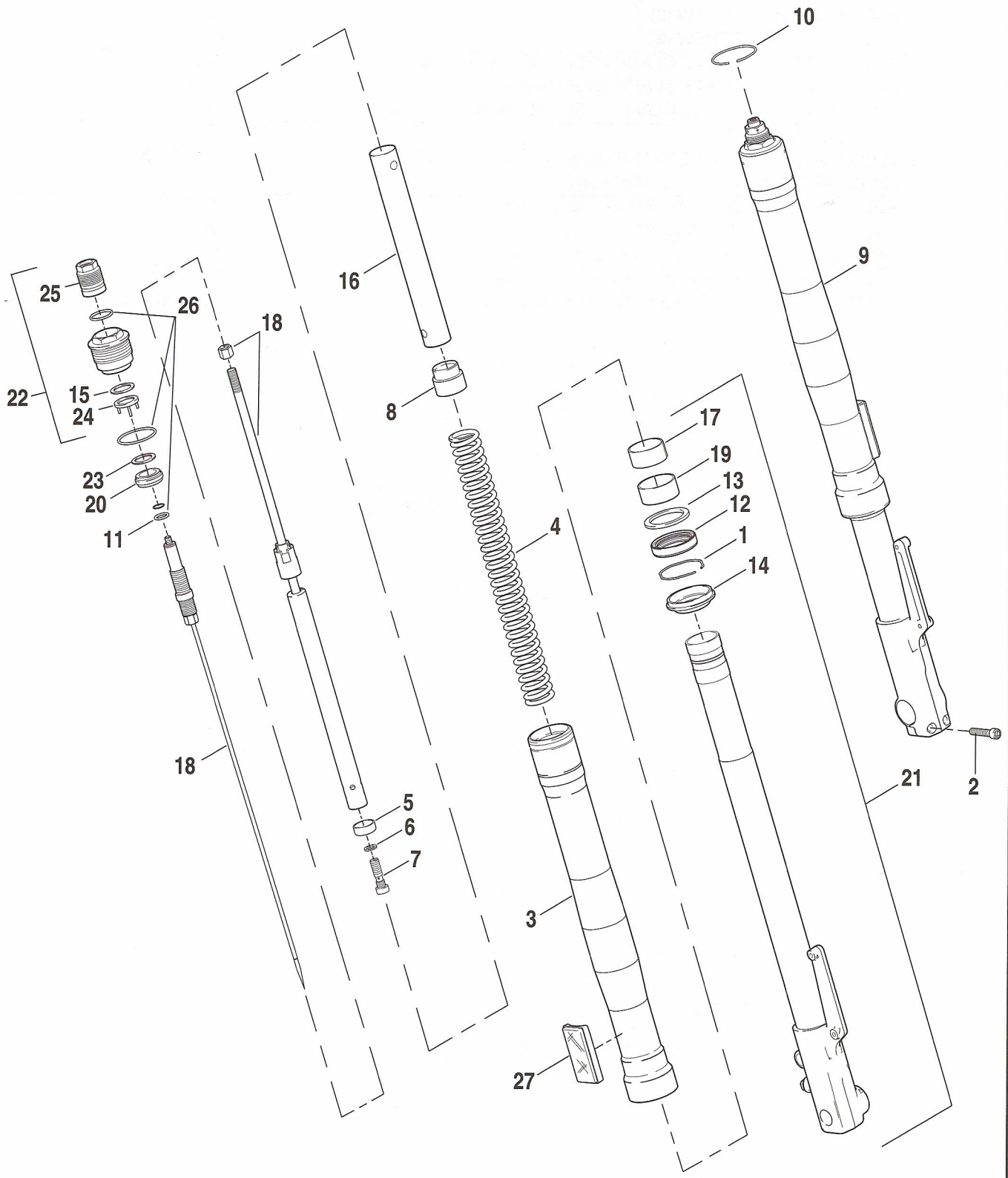
WX = 12Scg

JX = 12Ss

XX = 12STT



# FRONT FORK - 9SX/12S/12Scg/12Ss



INDEX NO.	PART NO.	DESCRIPTION	MODEL(S)
1	45842-77A	OIL SEAL STOPPER RING (2)	JX/KX/SX/WX
2	AA0512.2CZB	BOLT, axle (4)	JX/KX/SX/WX
3	J0107.02A8	OUTER TUBE (2)	WX
	J0107.3A8	OUTER TUBE (2)	JX/KX/SX
4	J0113.3A8	SPRING, fork (2)	JX/KX/SX
	J0113.1AE	SPRING, fork (2)	WX
5	J0114.02A8	CENTERING PLATE (2)	JX/KX/SX/WX
6	J0115.02A8	WASHER, fork (2)	JX/KX/SX/WX
7	J0116.02A8	BOLT, center (2)	JX/KX/SX/WX
8	J0117.02A8	SPRING JOINT, fork (2)	WX
	J0117.3A8	SPRING JOINT, fork (2)	JX/KX/SX
9	J0121.3A8	FRONT FORK ASSEMBLY, left w/ 4, 5, 6, 7, 8, 9, 12, 17, 19, 21, 22, 23, 24 & 27	JX/KX/SX
	J0121.1AE	FRONT FORK ASSEMBLY, left w/ 4, 5, 6, 7, 8, 9, 12, 17, 19, 21, 22, 23, 24 & 27	WX
	J0122.3A8	FRONT FORK ASSEMBLY, right w/ 4, 5, 6, 7, 8, 9, 12, 17, 19, 21, 22, 23, 24 & 27	JX/KX/SX
	J0122.1AE	FRONT FORK ASSEMBLY, right w/ 4, 5, 6, 7, 8, 9, 12, 17, 19, 21, 22, 23, 24 & 27	WX
10	J0124.02A8	STOPPER RING (2)	JX/KX/SX/WX
11	J8124.02A8	SNAP RING (2)	JX/KX/SX/WX
12	45875-84A	OIL SEAL (2)	WX
	J8127.3A8	OIL SEAL (2)	JX/KX/SX
13	45865-84	SEAL SPACER (2)	WX
	J8128.3A8	SEAL SPACER (2)	JX/KX/SX
14	J8130.02A8	DUST SEAL (2)	WX
	J8130.3A8	DUST SEAL (2)	JX/KX/SX
15	J8134.1AK	SPRING JOINT	JX/KX/SX
16	J8135.02A8	SPRING COLLAR, fork (2)	JX/KX/SX
	J8135.1AE	SPRING COLLAR, fork (2)	WX
17	J8138.02A8	SLIDE BUSHING (2)	WX
	J8138.3A8	SLIDE BUSHING (2)	JX/KX/SX
18	J8139.3A8	DAMPER ASSEMBLY, includes rebound adjuster assembly, damper locknut, damper assembly (2)	JX/KX/SX
	J8139.1AE	DAMPER ASSEMBLY, includes rebound adjuster assembly, damper locknut, damper assembly (2)	WX
19	J8140.02A8	GUIDE BUSHING (2)	WX
	46343-06	GUIDE BUSHING (2)	JX/KX/SX
20	J8141.02A8	SLIDER PISTON (2)	JX/KX/SX/WX
21	J8142.3A8	SLIDER COMPONENT, left fork w/ 1, 13, 14, 15, 18 & 20	JX/KX/SX
	J8142.1AE	SLIDER COMPONENT, left fork w/ 1, 13, 14, 15, 18 & 20	WX
	J8143.3A8	SLIDER COMPONENT, right fork w/ 1, 13, 14, 15, 18 & 20	JX/KX/SX
	J8143.1AE	SLIDER COMPONENT, right fork w/ 1, 13, 14, 15, 18 & 20	WX
22	J8144.3A8	PRELOAD ADJUSTMENT ASSEMBLY, w/ 16, 25, & 26	JX/KX/SX
	J8144.1AE	PRELOAD ADJUSTMENT ASSEMBLY, includes fork cap & rebound adjuster	WX
23	45980-96	WASHER, preload (2)	JX/KX/SX/WX
24	J8147.3A8	SPRING ADJUSTER PLATE, complete fork	JX/KX/SX
25	J8148.3A8	SPRING ADJUST, fork	JX/KX/SX
26	J9147.02A8	O-RING SET (2)	WX
	J9147.3A8	O-RING SET (2)	JX/KX/SX
27	M0106.02A8	REFLECTOR ASSEMBLY, amber (2)	JX/KX/SX/WX
	59256-84A	REFLECTOR, amber (2)	JX/KX/SX/WX

## 2007 MODEL IDENTIFICATION CODES

KX = 9SX

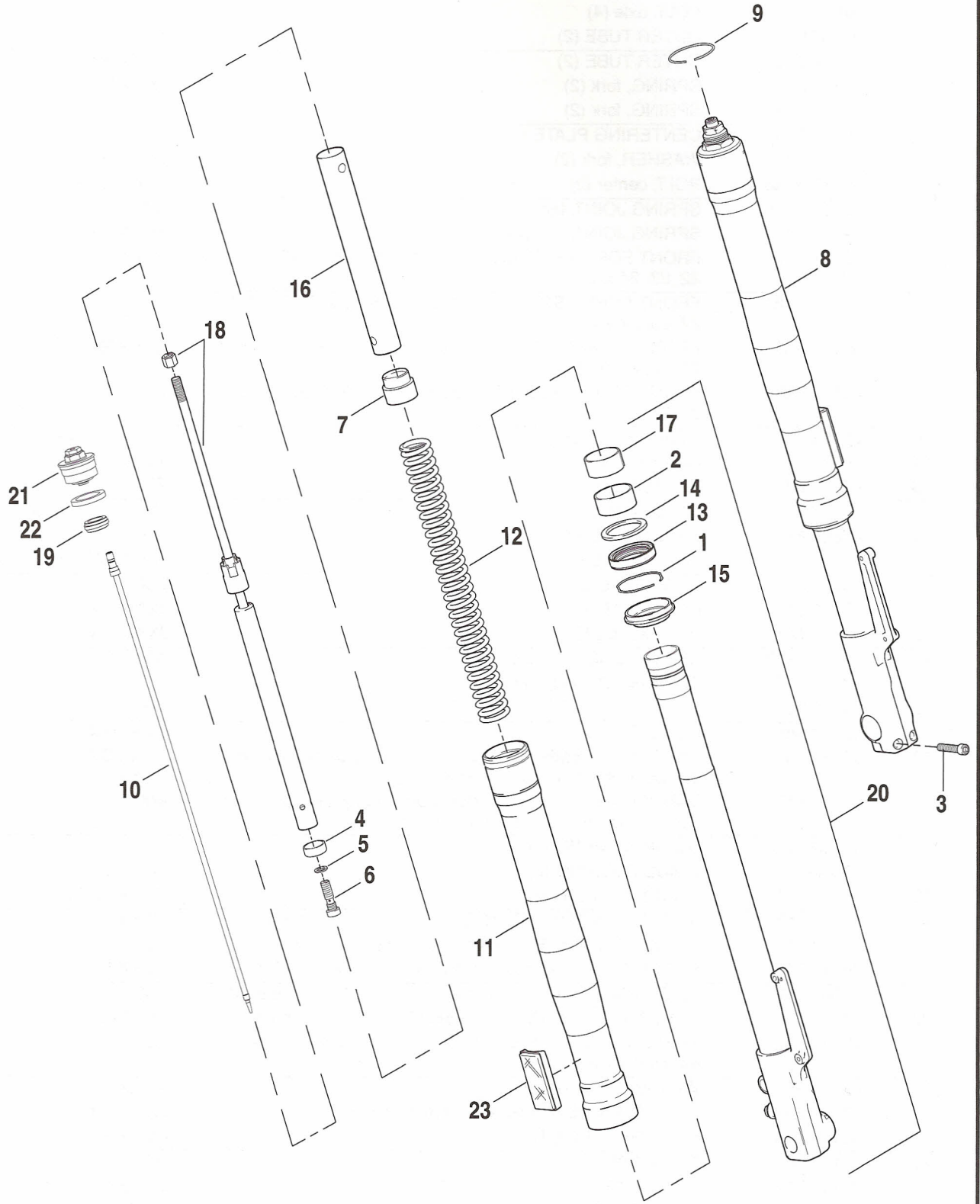
SX = 12S

WX = 12Scg

JX = 12Ss

XX = 12STT

# FRONT FORK - 12STT



INDEX NO.	PART NO.	DESCRIPTION	MODEL(S)
1	45842-77A	OIL SEAL STOPPER RING (2)	XX
2	46343-06	GUIDE BUSHING (2)	XX
3	AA0512.2CZB	BOLT, axle (4)	XX
4	J0114.02A8	CENTERING PLATE (2)	XX
5	J0115.02A8	WASHER, fork (2)	XX
6	J0116.02A8	BOLT, center (2)	XX
7	J0117.3A8	SPRING JOINT, fork (2)	XX
8	J0121.1AS	FRONT FORK ASSEMBLY, left w/ 4, 5, 6, 7, 10, 11, 12, 16, 18, 19, 20, 21, & 22	XX
	J0122.1AS	FRONT FORK ASSEMBLY, right w/ 4, 5, 6, 7, 10, 11, 12, 16, 18, 19, 20, 21, & 22	XX
9	J0124.02A8	STOPPER RING (2)	XX
10	J8103.1AS	PUSH ROD, fork (2)	XX
11	J8107.1AS	OUTER TUBE (2)	XX
12	J8113.1AS	SPRING, fork (2)	XX
13	J8127.3A8	OIL SEAL (2)	XX
14	J8128.3A8	SEAL SPACER (2)	XX
15	J8130.3A8	DUST SEAL (2)	XX
16	J8135.02A8	SPRING COLLAR, fork (2)	XX
17	J8138.3A8	SLIDE BUSHING (2)	XX
18	J8139.1AS	DAMPER ASSEMBLY, includes rebound adjuster assembly, damper locknut, damper assembly (2)	XX
19	J8141.02A8	SLIDER PISTON (2)	XX
20	J8142.1AS	SLIDER COMPONENT, left fork w/ 1, 2, 13, 14, 15, & 17	XX
	J8143.1AS	SLIDER COMPONENT, right fork w/ 1, 2, 13, 14, 15, & 17	XX
21	J8144.1AS	PRELOAD ADJUSTMENT ASSEMBLY	XX
22	J8146.1AS	SEAT, rubber (2)	XX
23	M0106.02A8	REFLECTOR ASSEMBLY, amber (2)	XX
	59256-84A	REFLECTOR, amber (2)	XX

## 2007 MODEL IDENTIFICATION CODES

KX = 9SX

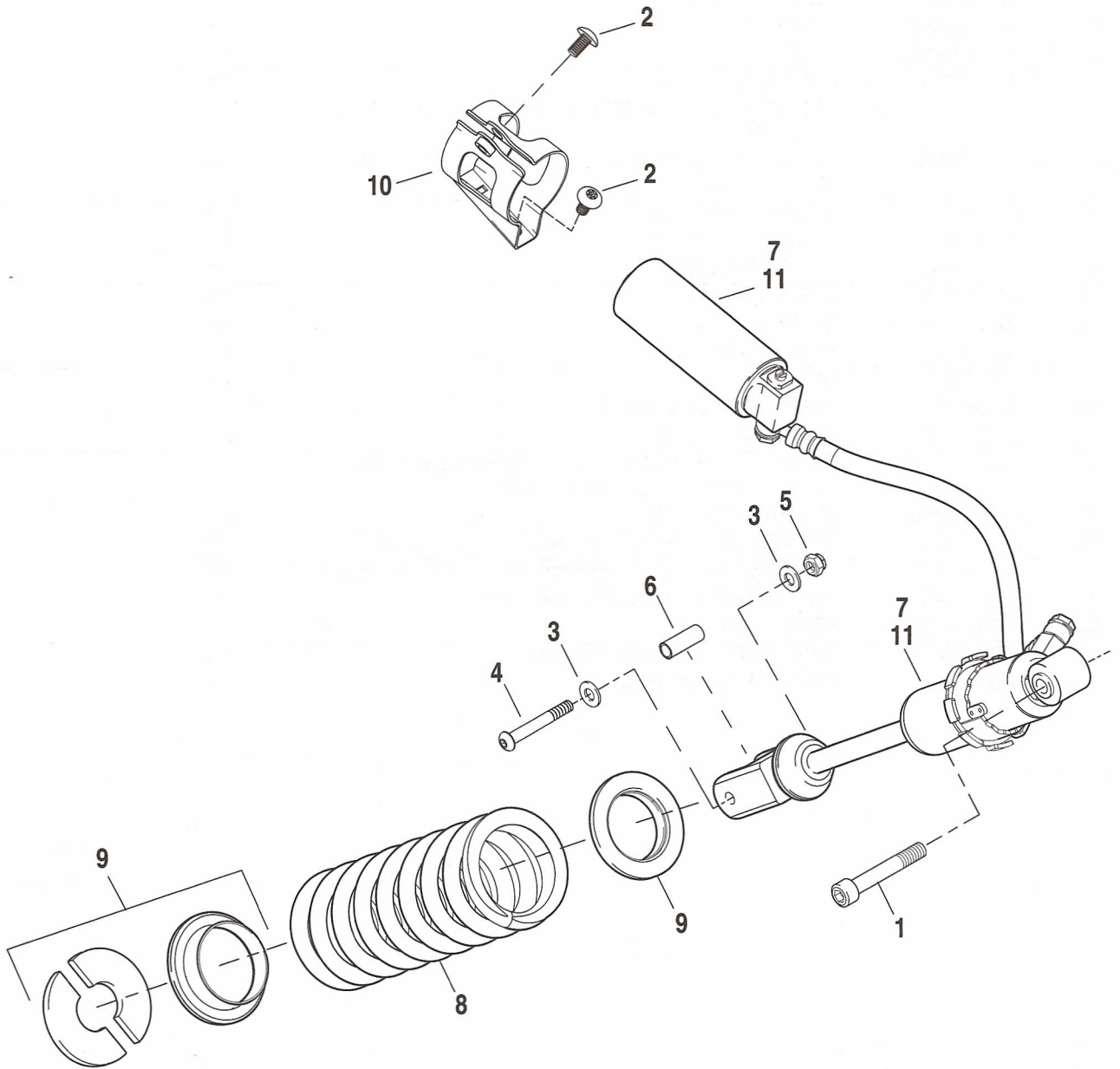
SX = 12S

WX = 12Scg

JX = 12Ss

XX = 12STT

# REAR SHOCK ABSORBER - 9SX/12S/12Scg



INDEX NO.	PART NO.	DESCRIPTION	MODEL(S)
1	A1065.2CZB	SCREW	KX/SX/WX
2	AA0404.11CVB	SCREW (2)	KX/SX/WX
3	BA0511.2Z	WASHER (2)	KX/SX/WX
4	CA0020.02A8	SCREW	KX/SX/WX
5	DA0500.10CZ	LOCKNUT	KX/SX/WX
6	K0402.02A8A	SLEEVE, shock mount	KX/SX/WX
7	K0410.02A8	REAR SHOCK ASSEMBLY, includes shock spring & retainer kit	KX/SX
	K0410.1AE	REAR SHOCK ASSEMBLY, includes shock spring & retainer kit	WX
8	K0424.02A8	SPRING, rear shock	KX/SX
	K0424.1AE	SPRING, rear shock	WX
9	K0425.02A8	RETAINER KIT, shock	KX/SX/WX
10	L0072.1AD	BRACKET, rear shock reservoir mount	KX/SX/WX
<b>INTERNATIONAL MODELS ONLY</b>			
11	K0001.02A8	REAR SHOCK KIT, w/ shock spring, retainer kit & labels (JAPAN)	KX/SX
	K0001.1AE	REAR SHOCK KIT, w/ shock spring, retainer kit & labels (JAPAN)	WX
	K0001.1AN	REAR SHOCK KIT, w/ shock spring, retainer kit & labels (JAPAN)	JX

## 2007 MODEL IDENTIFICATION CODES

KX = 9SX

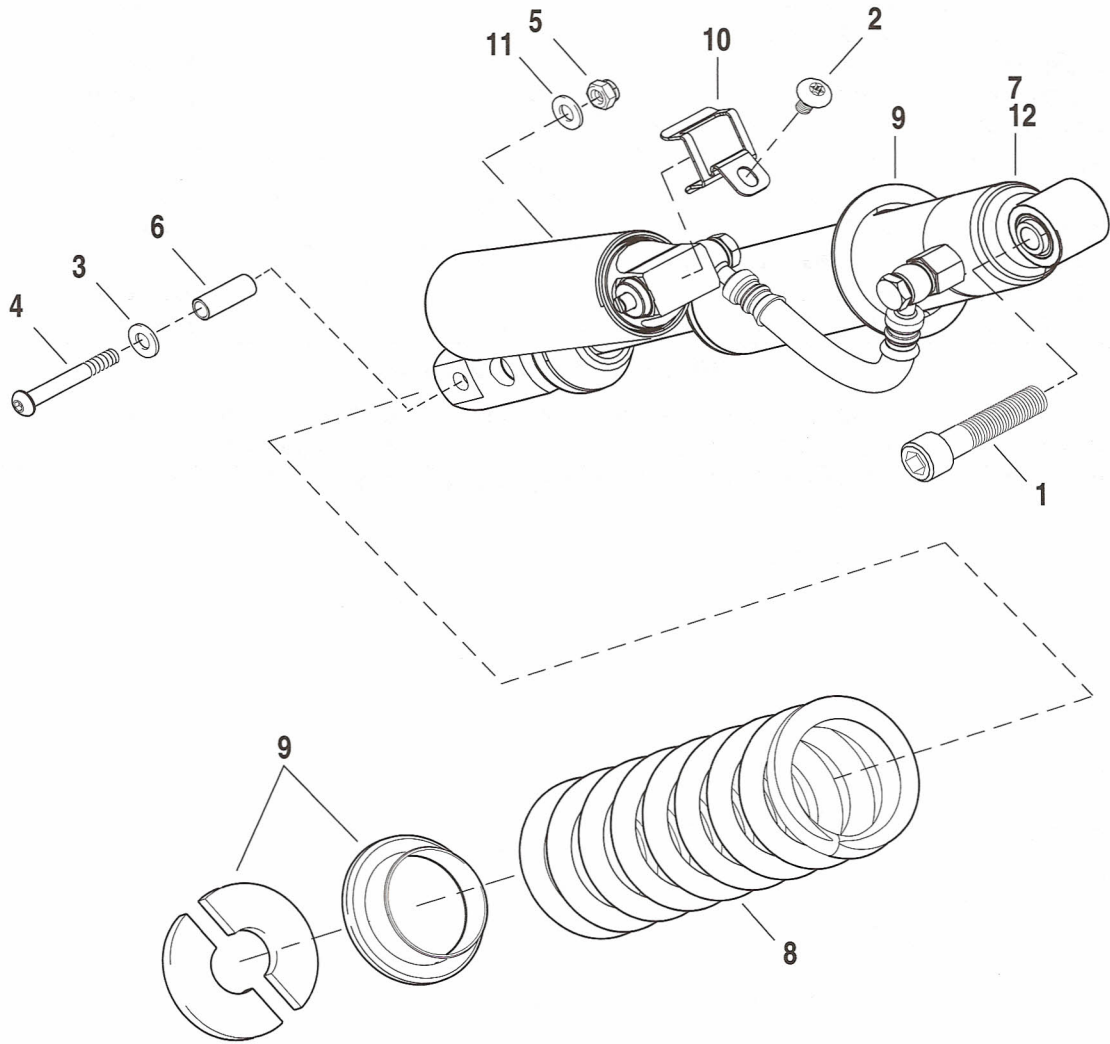
SX = 12S

WX = 12Scg

JX = 12Ss

XX = 12STT

# REAR SHOCK ABSORBER - 12Ss/12STT



INDEX NO.	PART NO.	DESCRIPTION	MODEL(S)
1	A1065.2CZB	SCREW	JX/XX
2	AA0404.11CVB	SCREW	JX/XX
3	BA0511.2Z	WASHER	JX/XX
4	CA0020.02A8	SCREW	JX/XX
5	DA0500.10CZ	LOCKNUT	JX/XX
6	K0402.02A8A	SLEEVE, shock mount	JX/XX
7	K0410.1AN	REAR SHOCK ASSEMBLY, includes shock spring & retainer kit	JX
	K0410.1AS	REAR SHOCK ASSEMBLY, includes shock spring & retainer kit	XX
8	K0424.1AN	SPRING, rear shock	JX
	K0424.1AS	SPRING, rear shock	XX
9	K0425.02A8	RETAINER KIT, shock	JX/XX
10	K0437.1AKA	BRACKET, shock reservoir	JX/XX
11	L0178.K	SPACER, tie bar	JX/XX
<b>INTERNATIONAL MODELS ONLY</b>			
12	K0001.1AN	REAR SHOCK ASSEMBLY, includes shock spring & retainer kit (JAPAN)	JX
	K0001.1AS	REAR SHOCK ASSEMBLY, includes shock spring & retainer kit (JAPAN)	XX

## 2007 MODEL IDENTIFICATION CODES

KX = 9SX

SX = 12S

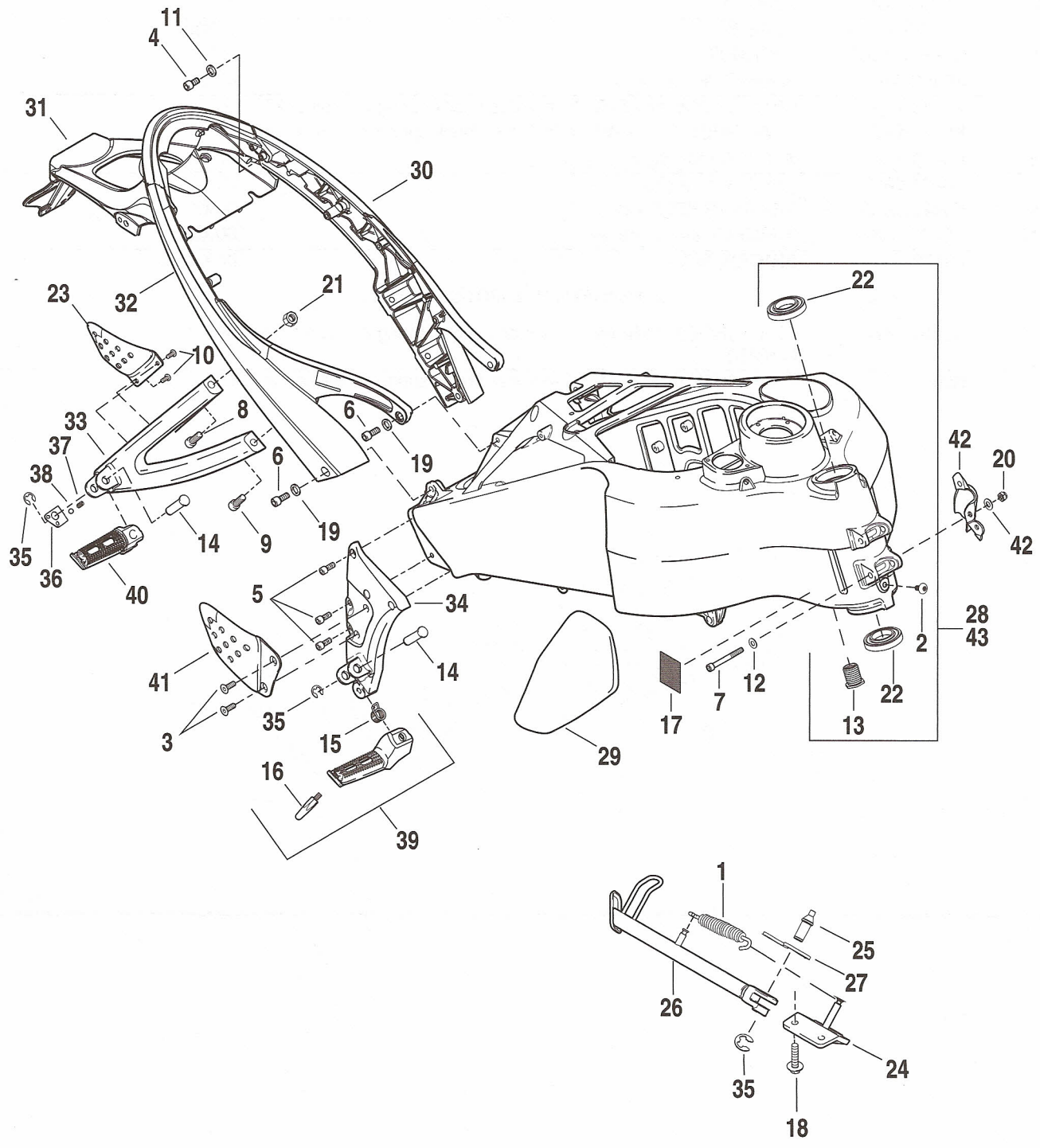
WX = 12Scg

JX = 12Ss

XX = 12STT



# FRAME - 9SX/12S/12Scg



INDEX NO.	PART NO.	DESCRIPTION	MODEL(S)
	11604	RIVNUT, scoop fasteners (not illustrated)	KX/SX/WX
1	50005-85A	SPRING, sidestand	KX/SX/WX
2	AA0404.11CVB	SCREW	KX/SX/WX
3	AA0404.5CZB	SCREW (3)	KX/SX/WX
4	AA0405.2CXZB	SCREW (4)	KX/SX/WX
5	AA0406.2CZB	SCREW (6)	KX/SX/WX
	AA0409.5CZB	SCREW, left rider heel guard (not illustrated)	KX/SX/WX
6	AA0508.2CXZB	SCREW (4)	KX/SX/WX
7	AA0522.2CZB	SCREW (2)	KX/SX/WX
8	AA0615.2CZB	SCREW (2)	KX/SX/WX
9	AN1004.3FKZB	SCREW (2)	KX/SX/WX
10	AN1004.21FRZB	SCREW, passenger heel guards (4)	KX/SX/WX
11	B0613.1Z	WASHER (4)	KX/SX/WX
12	BA0511.2Z	WASHER (4)	KX/SX/WX
13	C0028.02A8A	THREAD INSERT	KX/SX/WX
	C0095.4A8	BUMPER SET, baseplate (not illustrated)	KX/SX/WX
	C0098.02A8	CLIP, left rider heel guard (not illustrated)	KX/SX/WX
14	C0235.02A8	PIN, footpeg (4)	KX/SX/WX
15	C0249.02A8	SPRING, right rider footpeg	KX/SX/WX
	C0250.02A8	SPRING, left rider footpeg (not illustrated)	KX/SX/WX
16	C0255.02A8	WEAR PEG, rider footpeg (2)	KX/SX/WX
17	C3009.E	PAD, protective	KX/SX/WX
18	CA0015.02A8	BOLT (2)	KX/SX/WX
19	CB0002.T	WASHER (4)	KX/SX/WX
20	DA0500.10CZ	LOCKNUT (2)	KX/SX/WX
21	DA0600.11CZ	LOCKNUT (2)	KX/SX/WX
22	E0002.02A8A	BEARING (2)	KX/SX/WX
	L0078.02A8	HEEL GUARD, left, passenger (not illustrated)	KX/SX/WX
23	L0079.02A8	HEEL GUARD, right, passenger	KX/SX/WX
24	L0152.1AA	BRACKET ASSEMBLY, sidestand	KX/SX/WX
25	L0174.4A8	PIVOT PIN, sidestand	KX/SX/WX
26	L1167.02A8	SIDESTAND LEG ASM, w/ pin, leg, foot pad, clevis & kick tab	KX/SX
	L1167.1AE	SIDESTAND LEG ASM, w/ pin, leg, foot pad, clevis & kick tab	WX
27	L0203.1AA	PLATE, sidestand spring extension	KX/SX/WX
28	L0600.3AJYBD	FRAME/FUEL TANK ASSEMBLY KIT, front w/ bearing races & labels (DOMESTIC) (See FUEL TANK & PUMP pages for more information on kit)	KX
	L0600.4ACYBP	FRAME/FUEL TANK ASSEMBLY KIT, front w/ bearing races & labels (DOMESTIC) (See FUEL TANK & PUMP pages for more information on kit)	SX/WX
	L0605.3AJYBD	FRAME/FUEL TANK ASSEMBLY KIT, front w/ bearing races & labels (CALIFORNIA) (See FUEL TANK & PUMP pages for more information on kit)	KX
	L0605.4ACYBP	FRAME/FUEL TANK ASSEMBLY KIT, front w/ bearing races & labels (CALIFORNIA) (See FUEL TANK & PUMP pages for more information on kit)	SX/WX
29	M0028.1AKA	FRAME PUCK, left	KX/SX/WX
	M0029.1AKA	FRAME PUCK, right	KX/SX/WX
30	M0612.1AD	TAIL SECTION, left (titanium silver)	KX
	M0612.1ADYBT	TAIL SECTION, left (hammertone silver)	SX/WX
31	M0613.1ADYT	BRACKET, license plate (designer black)	KX
	M0613.1ADYBQ	BRACKET, license plate (magnesium tone)	SX/WX

## 2007 MODEL IDENTIFICATION CODES

KX = 9SX

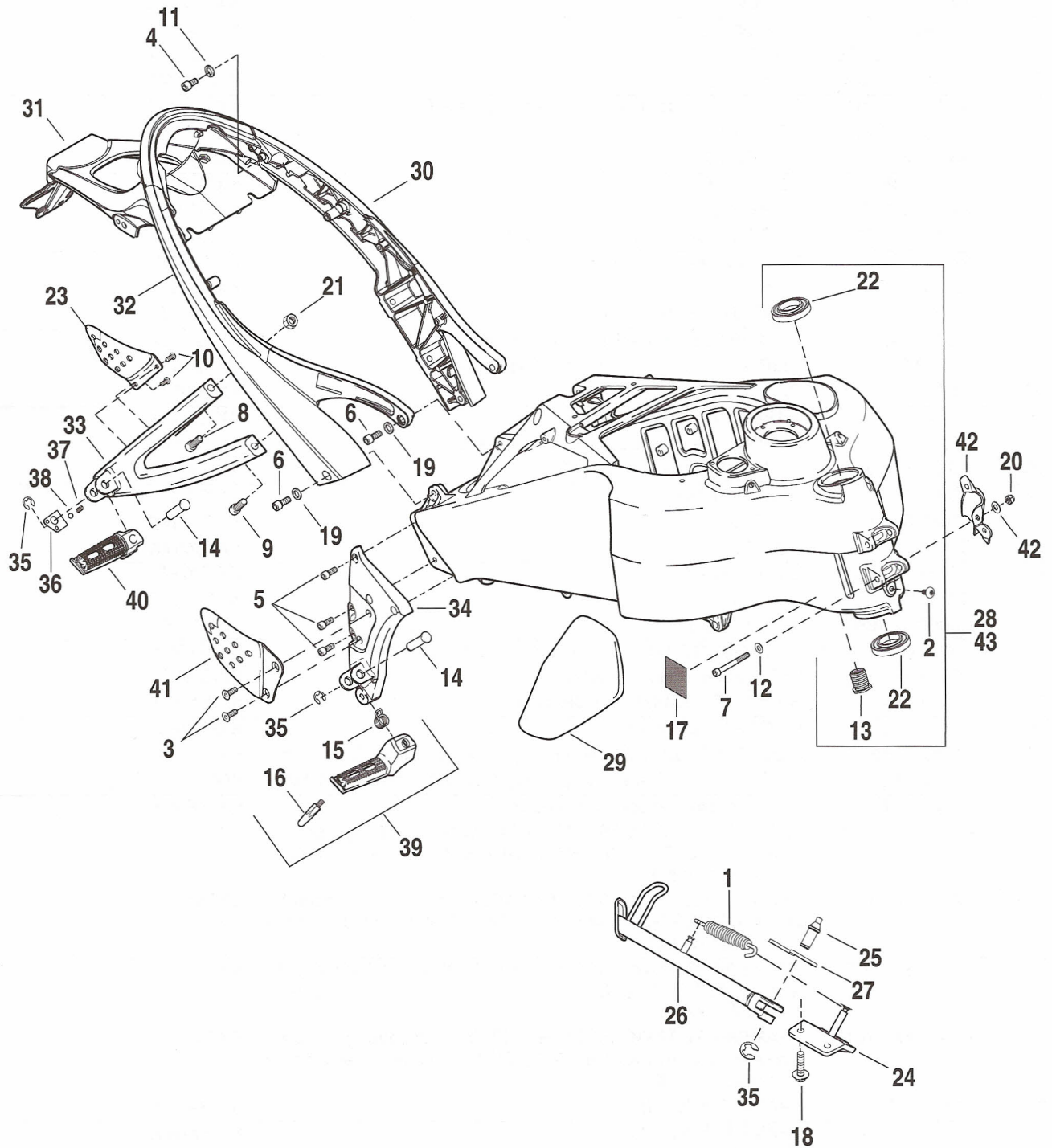
SX = 12S

WX = 12Scg

JX = 12Ss

XX = 12STT

# FRAME - 9SX/12S/12Scg



INDEX NO.	PART NO.	DESCRIPTION	MODEL(S)
32	M0614.1AD	TAIL SECTION, right (titanium silver)	KX
	M0614.1ADYBT	TAIL SECTION, right (hammertone silver)	SX/WX
33	N0055.2ADYBD	BRACKET, right footpeg mount, passenger (fluid silver)	KX
	N0055.2ADYBP	BRACKET, right footpeg mount, passenger (graphite grey)	SX/WX
	N0054.2ADYBD	BRACKET, left footpeg mount, passenger (fluid silver) (not illustrated)	KX
	N0054.2ADYBP	BRACKET, left footpeg mount, passenger (graphite grey) (not illustrated)	SX/WX
34	N0401.02A8	BRACKET, right footpeg mount, rider (fluid silver)	KX
	N0401.02A8YBP	BRACKET, right footpeg mount, rider (graphite grey)	SX/WX
	N0402.02A8	BRACKET, left footpeg mount, rider (fluid silver) (not illustrated)	KX
	N0402.02A8YBP	BRACKET, left footpeg mount, rider (graphite grey) (not illustrated)	SX/WX
35	N0425.02A8	CLIP, footpeg (4)	KX/SX/WX
36	N0427.02A8A	DETENT PLATE, passenger (2)	KX/SX/WX
37	N0428.02A8	SPRING, passenger footpeg (2)	KX/SX/WX
38	N0429.02A8	BALL, passenger (2)	KX/SX/WX
39	N0521.1AD	FOOTPEG, right rider w/ wear peg	KX/SX/WX
	N0520.1AD	FOOTPEG, left rider w/ wear peg (not illustrated)	KX/SX/WX
40	N0553.02A8	FOOTPEG, right passenger	KX/SX/WX
	N0552.02A8	FOOTPEG, left passenger (not illustrated)	KX/SX/WX
41	N0555.02A8	HEEL GUARD, right rider	KX/SX/WX
	N0554.02A8	HEEL GUARD, left rider (not illustrated)	KX/SX/WX
42	Y1000.2AK	BRACKET, wire harness guide	KX/SX/WX

## INTERNATIONAL MODELS ONLY

43	L0601.3AJYBD	FRAME/FUEL TANK ASSEMBLY KIT, front w/ bearing races & labels (CANADA)	KX
	L0601.4ACYBP	FRAME/FUEL TANK ASSEMBLY KIT, front w/ bearing races & labels (CANADA)	SX/WX
	L0602.2AJYBD	FRAME/FUEL TANK ASSEMBLY KIT, front w/ bearing races & labels (ENGLAND, EUROPE)	KX
	L0602.3AAYBP	FRAME/FUEL TANK ASSEMBLY KIT, front w/ bearing races & labels (ENGLAND, EUROPE)	SX/WX
	L0603.3AAYBP	FRAME/FUEL TANK ASSEMBLY KIT, front w/ bearing races & labels (AUSTRALIA)	SX/WX
	L0603.4A8YBD	FRAME/FUEL TANK ASSEMBLY KIT, front w/ bearing races & labels (AUSTRALIA)	KX
	L0604.2AJYBD	FRAME/FUEL TANK ASSEMBLY KIT, front w/ bearing races & labels (JAPAN)	KX
	L0604.4ACYBP	FRAME/FUEL TANK ASSEMBLY KIT, front w/ bearing races & labels (JAPAN)	SX/WX
	N0097.2A8	BRACKET, left footpeg mount, rider w/ label (AUSTRALIA) (fluid silver) (not illustrated)	KX
	N0097.1AAYBP	BRACKET, left footpeg mount, rider w/ label (AUSTRALIA) (graphite grey) (not illustrated)	SX/WX
	N0098.02A8	BRACKET, left footpeg mount, rider w/ label (JAPAN) (fluid silver) (not illustrated)	KX
	N0098.02A8YBP	BRACKET, left footpeg mount, rider w/ label (JAPAN) (graphite grey) (not illustrated)	SX/WX

## 2007 MODEL IDENTIFICATION CODES

KX = 9SX

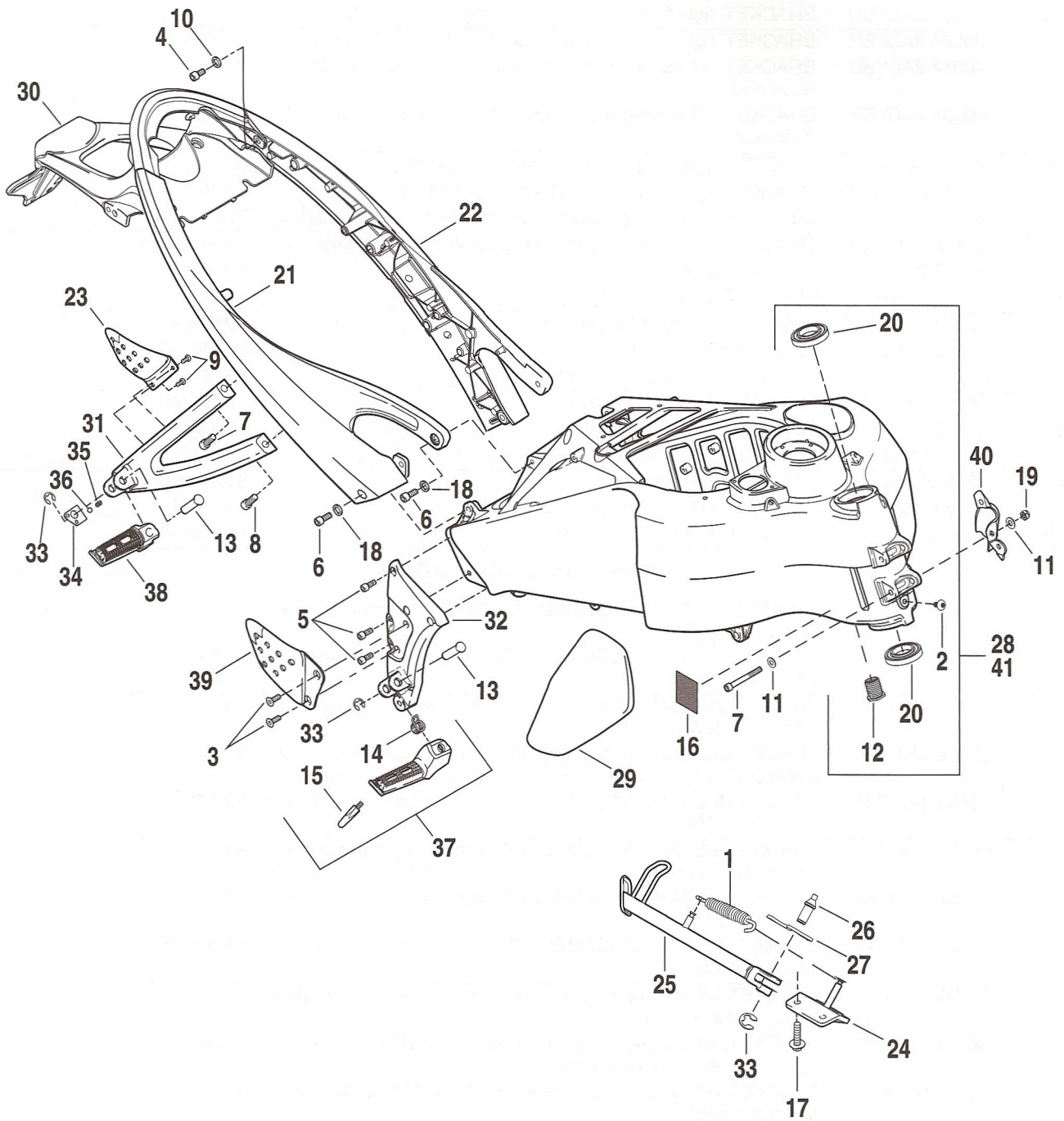
SX = 12S

WX = 12Scg

JX = 12Ss

XX = 12STT

# FRAME - 12Ss



INDEX NO.	PART NO.	DESCRIPTION	MODEL(S)
	11604	RIVNUT, scoop fasteners (not illustrated)	JX
1	50005-85A	SPRING, sidestand	JX
2	AA0404.11CVB	SCREW	JX
3	AA0404.5CZB	SCREW (3)	JX
4	AA0405.2CXZB	SCREW (4)	JX
5	AA0406.2CZB	SCREW (6)	JX
	AA0409.5CZB	SCREW, left rider heel guard (not illustrated)	JX
6	AA0508.2CXZB	SCREW (4)	JX
7	AA0522.2CZB	SCREW (2)	JX
8	AA0608.2CXZB	SCREW (4)	JX
9	AN1004.21FRZB	SCREW, passenger heel guards (4)	JX
10	B0613.1Z	WASHER (4)	JX
11	BA0511.2Z	WASHER (4)	JX
12	C0028.02A8A	THREAD INSERT	JX
	C0095.4A8	BUMPER SET, baseplate (not illustrated)	JX
	C0098.02A8	CLIP, left rider heel guard (not illustrated)	JX
13	C0235.02A8	PIN, footpeg (4)	JX
14	C0249.02A8	SPRING, right rider footpeg	JX
	C0250.02A8	SPRING, left rider footpeg (not illustrated)	JX
15	C0255.02A8	WEAR PEG, rider footpeg (2)	JX
16	C3009.E	PAD, protective	JX
17	CA0015.02A8	BOLT (2)	JX
18	CB0002.T	WASHER (4)	JX
19	DA0500.10CZ	LOCKNUT (2)	JX
20	E0002.02A8A	BEARING (2)	JX
21	L0009.1ANYBT	TAIL SECTION, right (hammertone silver)	JX
22	L0010.1ANYBT	TAIL SECTION, left (hammertone silver)	JX
23	L0079.02A8	HEEL GUARD, right, passenger	JX
	L0078.02A8	HEEL GUARD, left, passenger (not illustrated)	JX
24	L0152.1AA	BRACKET ASSEMBLY, sidestand	JX
25	L1167.02A8	SIDESTAND LEG ASM, w/ pin, leg, foot pad, clevis & kick tab	JX
26	L0174.4A8	PIVOT PIN, sidestand	JX
27	L0203.1AA	PLATE, sidestand spring extension	JX
28	L0600.2ANYBP	FRAME/FUEL TANK ASSEMBLY KIT, front w/ bearing races & labels (DOMESTIC) (See FUEL TANK & PUMP pages for more information on kit)	JX
	L0605.2ANYBP	FRAME/FUEL TANK ASSEMBLY KIT, front w/ bearing races & labels (CALIFORNIA) (See FUEL TANK & PUMP pages for more information on kit)	JX
29	M0029.1AKA	FRAME PUCK, right	JX
	M0028.1AKA	FRAME PUCK, left (not illustrated)	JX
30	M0613.1ADYBQ	BRACKET, license plate (magnesium tone)	JX

## 2007 MODEL IDENTIFICATION CODES

KX = 9SX

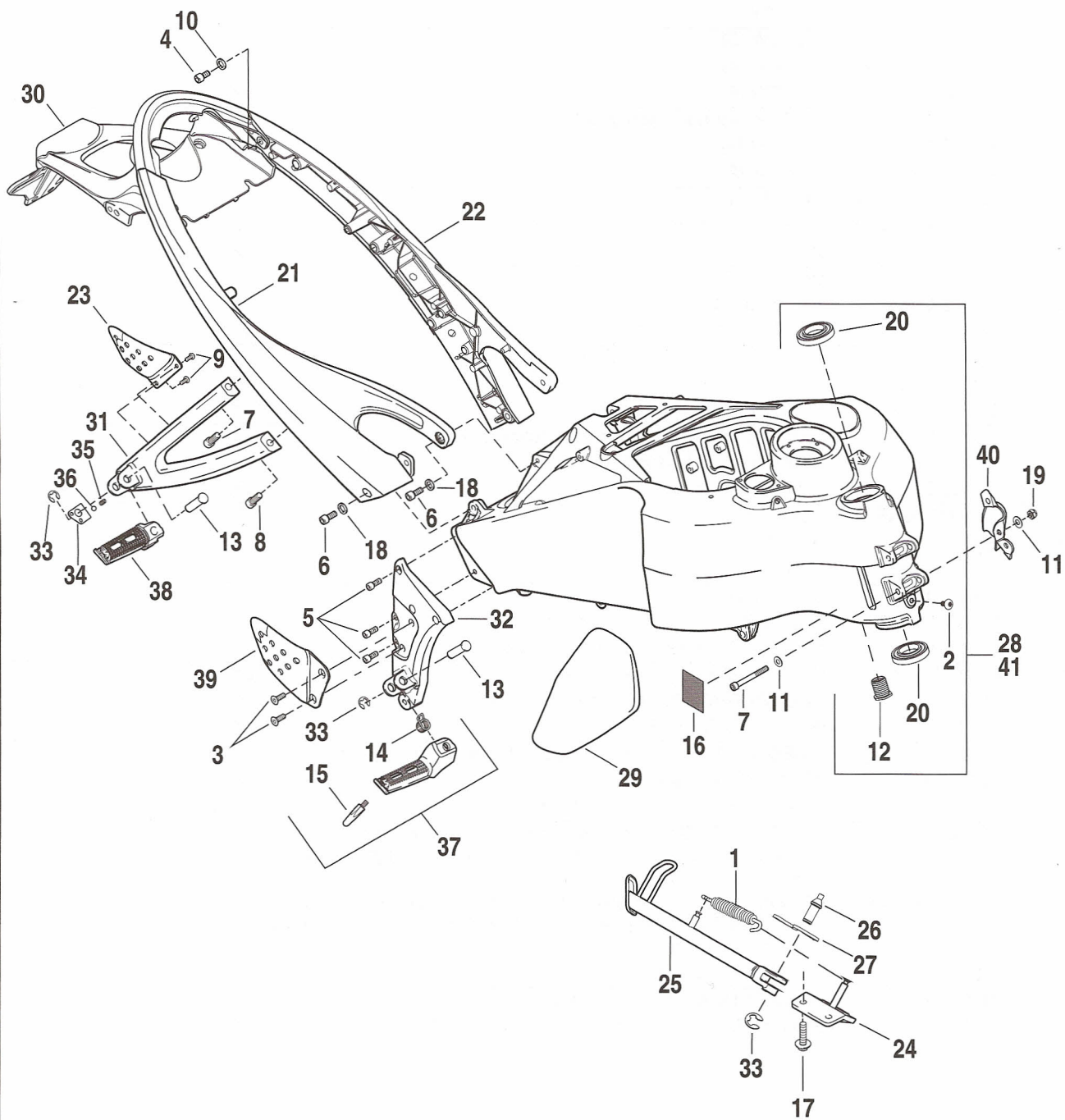
SX = 12S

WX = 12Scg

JX = 12Ss

XX = 12STT

# FRAME - 12Ss



INDEX NO.	PART NO.	DESCRIPTION	MODEL(S)
31	N0055.2ADYBP	BRACKET, right footpeg mount, passenger (graphite grey)	JX
	N0054.2ADYBP	BRACKET, left footpeg mount, passenger (graphite grey) (not illustrated)	JX
32	N0401.02A8YBP	BRACKET, right footpeg mount, rider (graphite grey)	JX
	N0402.02A8YBP	BRACKET, left footpeg mount, rider (graphite grey) (not illustrated)	JX
33	N0425.02A8	CLIP, footpeg (4)	JX
34	N0427.02A8A	DETENT PLATE, passenger (2)	JX
35	N0428.02A8	SPRING, passenger footpeg (2)	JX
36	N0429.02A8	BALL, passenger (2)	JX
37	N0521.1AD	FOOTPEG, right rider w/ wear peg	JX
	N0520.1AD	FOOTPEG, left rider w/ wear peg (not illustrated)	JX
38	N0553.02A8	FOOTPEG, right passenger	JX
	N0552.02A8	FOOTPEG, left passenger (not illustrated)	JX
39	N0555.02A8	HEEL GUARD, right rider	JX
	N0554.02A8	HEEL GUARD, left rider (not illustrated)	JX
40	Y1000.2AK	BRACKET, wire harness guide	JX

## INTERNATIONAL MODELS ONLY

41	L0601.2ANYBP	FRAME/FUEL TANK ASSEMBLY KIT, front w/ bearing races & labels (CANADA)	JX
	L0602.1AKYBP	FRAME/FUEL TANK ASSEMBLY KIT, front w/ bearing races & labels (ENGLAND, EUROPE)	JX
	L0603.1ANYBP	FRAME/FUEL TANK ASSEMBLY KIT, front w/ bearing races & labels (AUSTRALIA)	JX
	L0604.2ANYBP	FRAME/FUEL TANK ASSEMBLY KIT, front w/ bearing races & labels (JAPAN)	JX
	N0097.1AAYBP	BRACKET, left footpeg mount, rider w/ label (AUSTRALIA) (graphite grey) (not illustrated)	JX
	N0098.02A8YBP	BRACKET, left footpeg mount, rider w/ label (JAPAN) (graphite grey) (not illustrated)	JX

## 2007 MODEL IDENTIFICATION CODES

KX = 9SX

SX = 12S

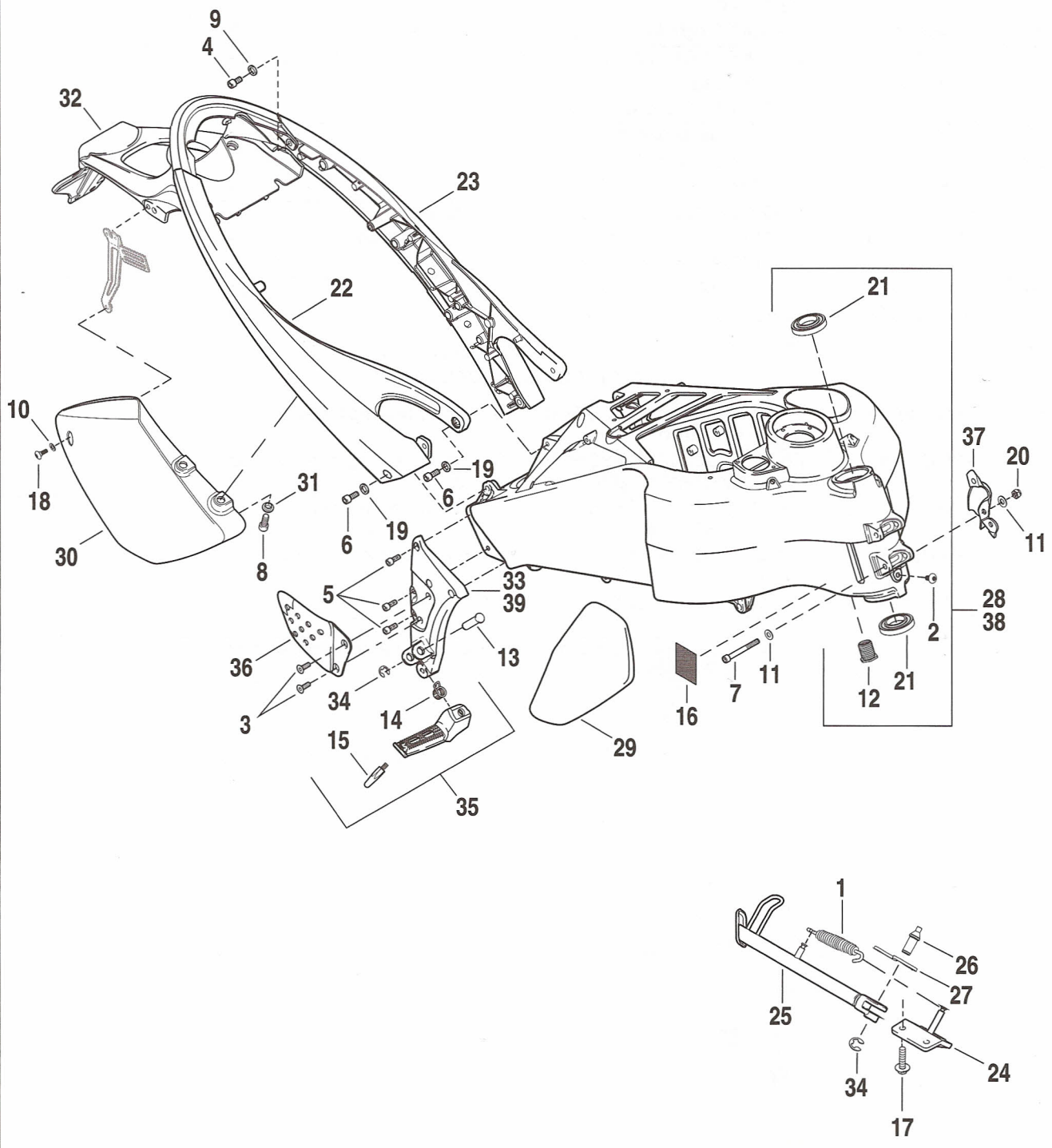
WX = 12Scg

JX = 12Ss

XX = 12STT



# FRAME - 12STT



INDEX NO.	PART NO.	DESCRIPTION	MODEL(S)
	11604	RIVNUT, scoop fasteners (not illustrated)	XX
1	50005-85A	SPRING, sidestand	XX
2	AA0404.11CVB	SCREW	XX
3	AA0404.5CZB	SCREW (3)	XX
4	AA0405.2CXZB	SCREW (4)	XX
5	AA0406.2CZB	SCREW (6)	XX
	AA0409.5CZB	SCREW, left rider heel guard (not illustrated)	XX
6	AA0508.2CXZB	SCREW (4)	XX
7	AA0522.2CZB	SCREW (2)	XX
8	AA0608.2CZB	SCREW (4)	XX
9	B0613.1Z	WASHER (4)	XX
10	BA0509.6	WASHER (2)	XX
11	BA0511.2Z	WASHER (4)	XX
12	C0028.02A8A	THREAD INSERT	XX
	C0095.4A8	BUMPER SET, baseplate (not illustrated)	XX
	C0098.02A8	CLIP, left rider heel guard (not illustrated)	XX
13	C0235.02A8	PIN, footpeg (2)	XX
14	C0249.02A8	SPRING, right rider footpeg	XX
	C0250.02A8	SPRING, left rider footpeg (not illustrated)	XX
15	C0255.02A8	WEAR PEG, rider footpeg (2)	XX
16	C3009.E	PAD, protective	XX
17	CA0015.02A8	BOLT (2)	XX
18	CA0018.02A8	SCREW (2)	XX
19	CB0002.T	WASHER (4)	XX
20	DA0500.10CZ	LOCKNUT (2)	XX
21	E0002.02A8A	BEARING (2)	XX
22	L0009.1ANYT	TAIL SECTION, right (titanium silver)	XX
23	L0010.1ANYT	TAIL SECTION, left (titanium silver)	XX
24	L0152.1AA	BRACKET ASSEMBLY, sidestand	XX
25	L0167.1AS	SIDESTAND LEG ASM, w/ pin, leg, foot pad, clevis & kick tab	XX
26	L0174.4A8	PIVOT PIN, sidestand	XX
27	L0203.1AA	PLATE, sidestand spring extension	XX
28	L0600.1ASYBP	FRAME/FUEL TANK ASSEMBLY KIT, front w/ bearing races & labels (DOMESTIC) (See FUEL TANK & PUMP pages for more information on kit)	XX
	L0605.1ASYBP	FRAME/FUEL TANK ASSEMBLY KIT, front w/ bearing races & labels (CALIFORNIA) (See FUEL TANK & PUMP pages for more information on kit)	XX
29	M0029.1AKA	FRAME PUCK, right	XX
	M0028.1AKA	FRAME PUCK, left (not illustrated)	XX
30	M0063.1ASMAW	NUMBER PLATE, right	XX
	M0044.1ASMAW	NUMBER PLATE, left (not illustrated)	XX
31	M0248.1AS	SLEEVE (4)	XX
32	M0613.1ADYT	BRACKET, license plate (designer black)	XX

## 2007 MODEL IDENTIFICATION CODES

KX = 9SX

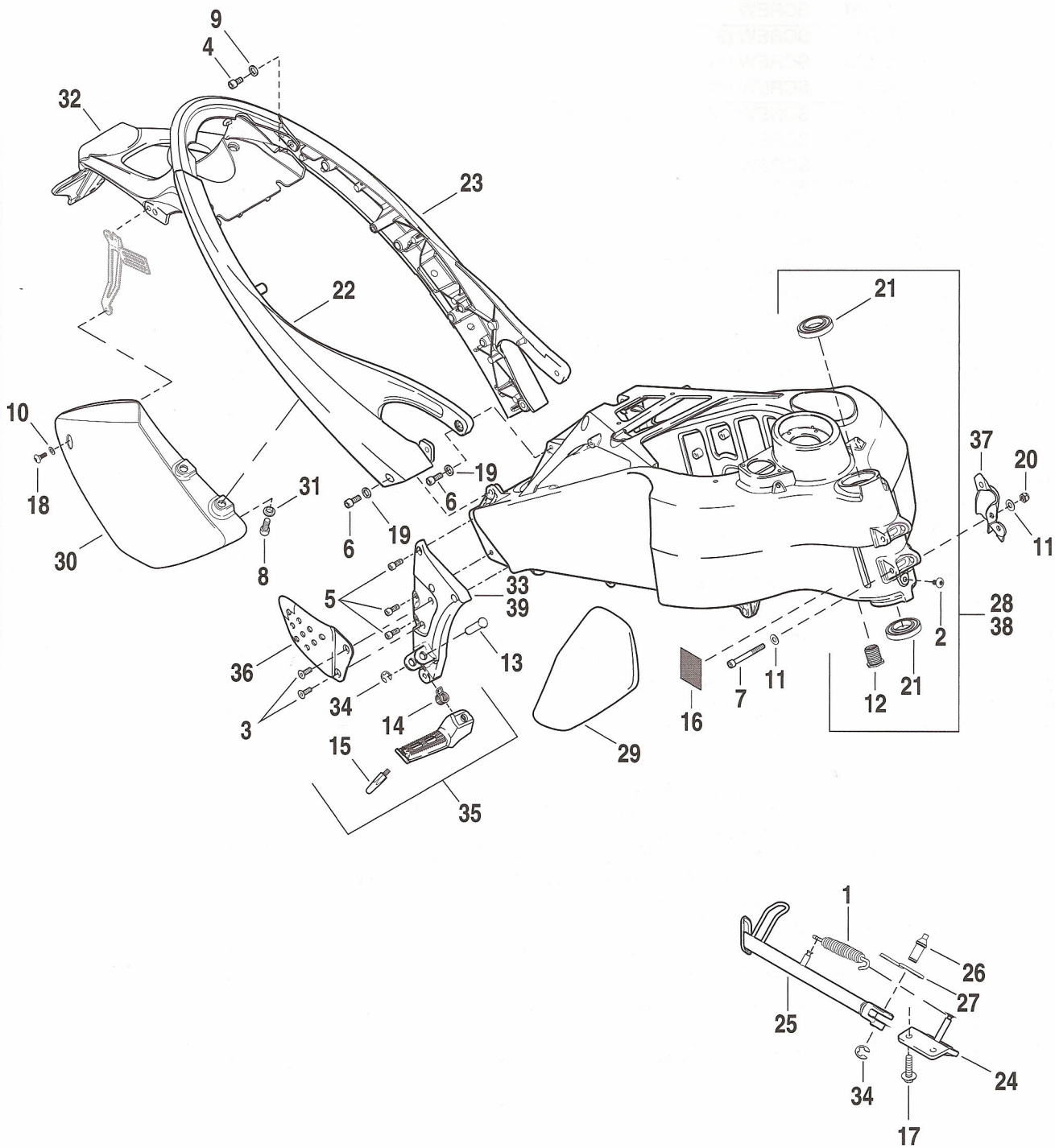
SX = 12S

WX = 12Scg

JX = 12Ss

XX = 12STT

# FRAME - 12STT



INDEX NO.	PART NO.	DESCRIPTION	MODEL(S)
33	N0401.02A8YBP	BRACKET, right footpeg mount, rider (graphite grey)	XX
	N0402.02A8YBP	BRACKET, left footpeg mount, rider (graphite grey) (not illustrated)	XX
34	N0425.02A8	CLIP, footpeg (2)	XX
35	N0521.1AD	FOOTPEG, right rider w/ wear peg	XX
	N0520.1AD	FOOTPEG, left rider w/ wear peg (not illustrated)	XX
36	N0555.02A8	HEEL GUARD, right rider	XX
	N0554.02A8	HEEL GUARD, left rider (not illustrated)	XX
37	Y1000.2AK	BRACKET, wire harness guide	XX
<b>INTERNATIONAL MODELS ONLY</b>			
38	L0601.1ASYBP	FRAME/FUEL TANK ASSEMBLY KIT, front w/ bearing races & labels (CANADA)	XX
	L0602.1AKYBP	FRAME/FUEL TANK ASSEMBLY KIT, front w/ bearing races & labels (ENGLAND, EUROPE)	XX
	L0603.1ANYBP	FRAME/FUEL TANK ASSEMBLY KIT, front w/ bearing races & labels (AUSTRALIA)	XX
	L0604.2ANYBP	FRAME/FUEL TANK ASSEMBLY KIT, front w/ bearing races & labels (JAPAN)	XX
39	N0097.1AAYBP	BRACKET, left footpeg mount, rider w/ label (AUSTRALIA) (fluid silver) (not illustrated)	XX
	N0098.02A8YBP	BRACKET, left footpeg mount, rider w/ label (JAPAN) (fluid silver) (not illustrated)	XX

## 2007 MODEL IDENTIFICATION CODES

KX = 9SX

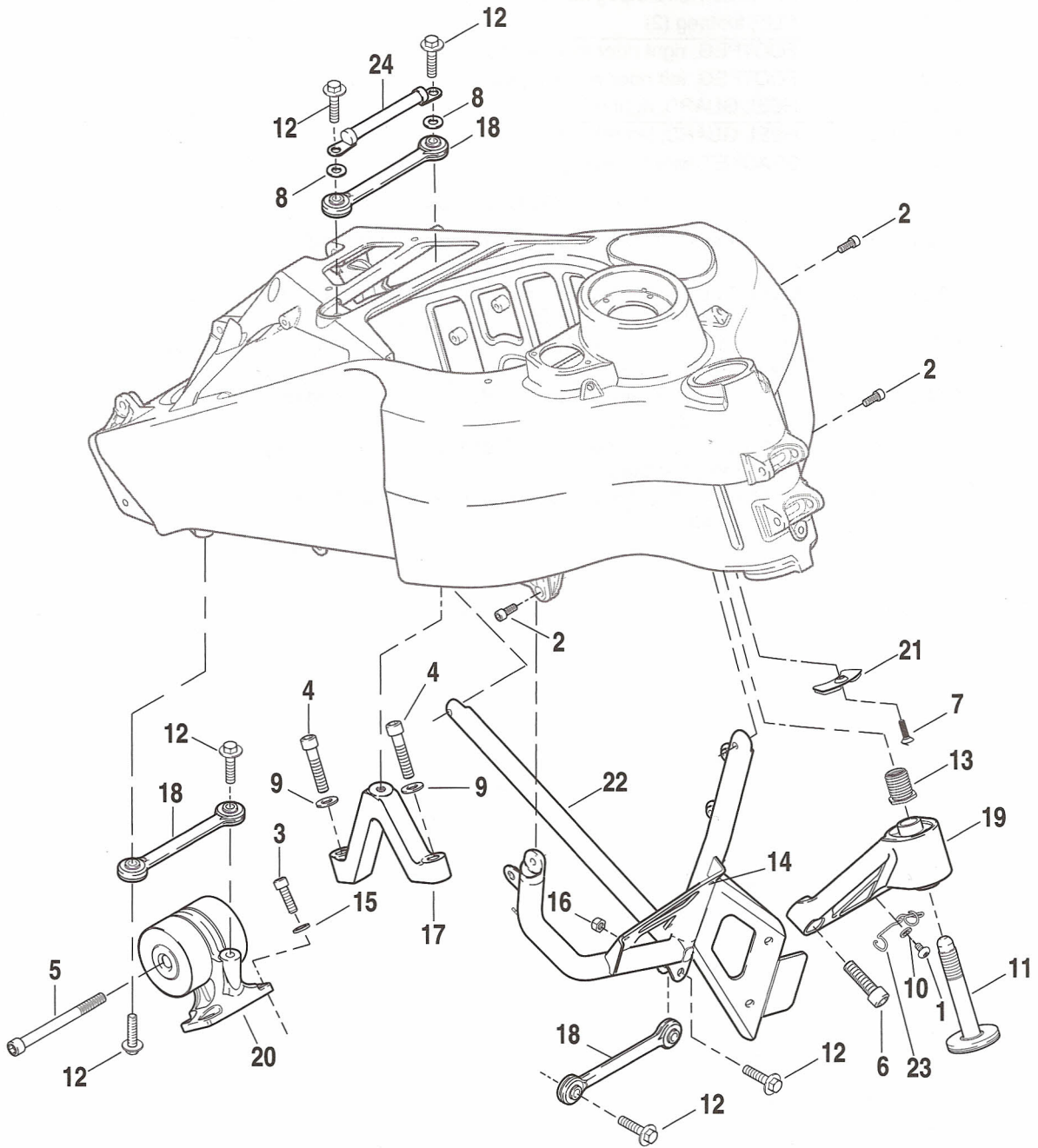
SX = 12S

WX = 12Scg

JX = 12Ss

XX = 12STT

# ENGINE MOUNTS



INDEX NO.	PART NO.	DESCRIPTION	MODEL(S)
1	AA0404.11CXVB	SCREW	ALL
2	AA0405.2CXZB	SCREW (3)	ALL
3	AA0508.2CZB	BOLT (4)	ALL
4	AA0615.2CZB	SCREW (2)	ALL
5	AA0634.2CZB	SCREW	ALL
6	AA0712.2CZB	SCREW (2)	ALL
7	AN0805.5CSS	SCREW	ALL
8	BA0511.2Z	WASHER (2)	ALL
9	BA0613.2Z	WASHER (2)	ALL
10	B0613.1Z	WASHER	ALL
11	CA0013.02A8	BOLT, front isolator	ALL
12	CA0015.02A8	BOLT, flange head (6)	ALL
13	C0028.02A8A	THREAD INSERT	ALL
14	C0089.4A8	INSERT (3)	ALL
15	CB0013.02A8	WASHER (4)	ALL
16	DA0500.11CZ	LOCKNUT	ALL
17	L0160.02A8A	MOUNT, center tie bar	ALL
18	L0500.02A8	TIE BAR ASSEMBLY (3)	ALL
19	L1501.02A8	ISOLATOR ASSEMBLY, front	ALL
20	L0502.02A8	ISOLATOR ASSEMBLY, rear	ALL
21	L0506.02A8	SNUBBER, front isolator upper	ALL
22	L1511.4A8YT	W BRACKET ASSEMBLY (villian black)	ALL
23	N0012.1AA	WIREFORM, clutch cable	ALL
24	Y0307.02A8	STRAP, ground	ALL

## 2007 MODEL IDENTIFICATION CODES

KX = 9SX

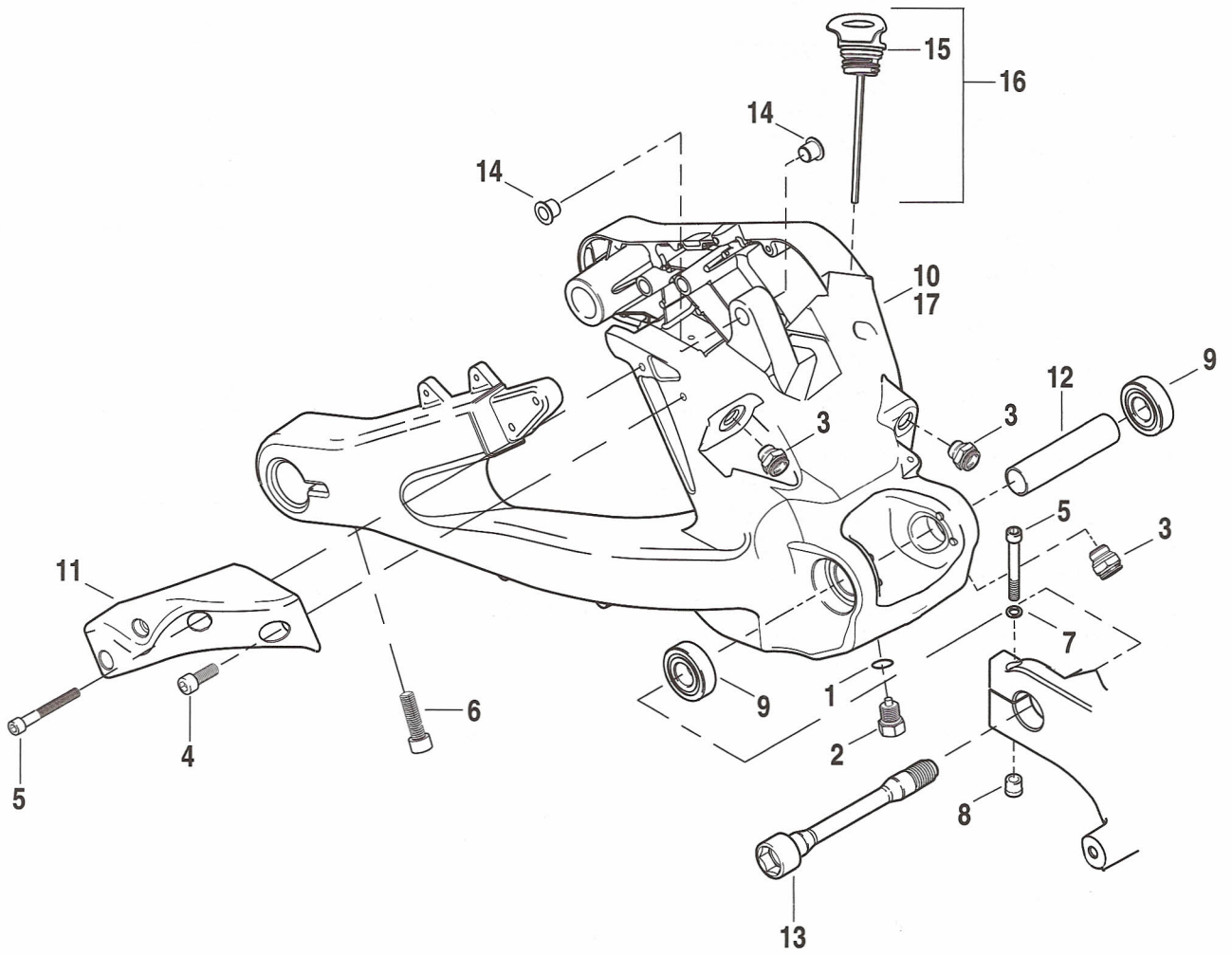
SX = 12S

WX = 12Scg

JX = 12Ss

XX = 12STT

# SWINGARM - 9SX/12S/12Scg



INDEX NO.	PART NO.	DESCRIPTION	MODEL(S)
1	11105	O-RING, oil drain plug	KX/SX/WX
2	60328-98B	PLUG, oil drain	KX/SX/WX
3	63579-06	FITTING (3)	KX/SX/WX
4	AA0508.2CZB	BOLT (3)	KX/SX/WX
5	AA0520.2CXZB	SCREW	KX/SX/WX
6	AA0712.2CZB	SCREW, axle head	KX/SX/WX
7	CB0002.T	WASHER, pinch bolt	KX/SX/WX
8	CD0002.T	NUT	KX/SX/WX
9	E0006.02A8	BEARING, swingarm (2)	KX/SX/WX
10	K0003.4A8YBD	SWINGARM, w/ 1, 2, 8, 11, 13, 15 & label(s) (fluid silver)	KX
	K0003.4A8YBP	SWINGARM, w/ 1, 2, 8, 11, 13, 15 & label(s) (graphite grey)	SX/WX
11	K0101.1AKYBD	BRACE, swingarm (fluid silver)	KX
	K0101.1AKYBP	BRACE, swingarm (graphite grey)	SX/WX
12	K0158.1AK	SPACER, swingarm bearing	KX/SX/WX
13	K0200.02A8B	SHAFT, swingarm pivot	KX/SX/WX
14	K0403.02A8	BUSHING, rear shock (2)	KX/SX/WX
15	Q0109.1AK	O-RING, oil filler plug	KX/SX/WX
16	Q0127.1AK	OIL FILLER PLUG ASSEMBLY, w/ Q0109.1AK	KX/SX/WX

## INTERNATIONAL MODELS ONLY

17	K0002.4A8YBD	SWINGARM, w/ 1, 2, 8, 11, 13, 15 & label(s) (JAPAN) (fluid silver)	KX
	K0002.4A8YBP	SWINGARM, w/ 1, 2, 8, 11, 13, 15 & label(s) (JAPAN) (graphite grey)	SX/WX

## 2007 MODEL IDENTIFICATION CODES

KX = 9SX

SX = 12S

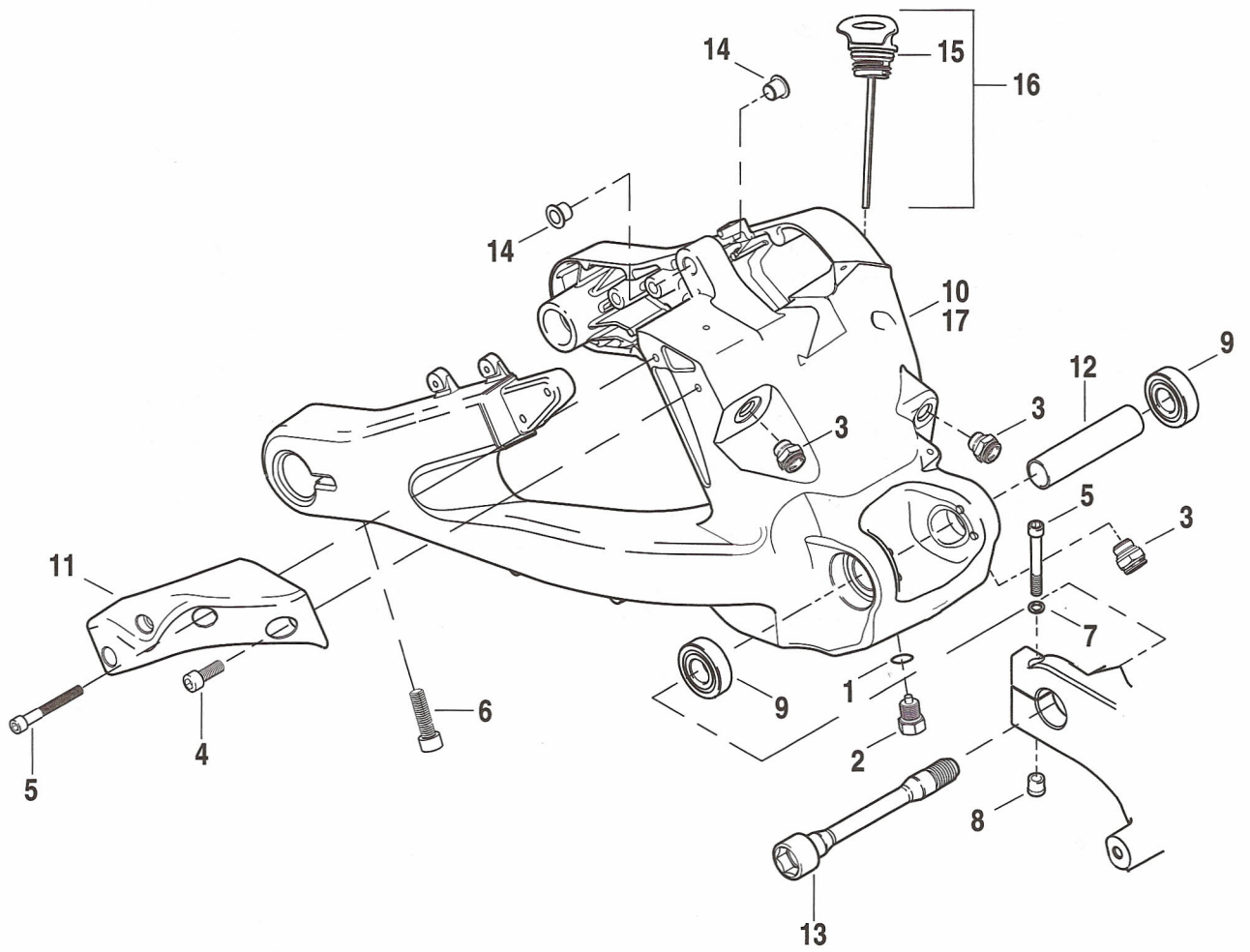
WX = 12Scg

JX = 12Ss

XX = 12STT



# SWINGARM - 12Ss/12STT



INDEX NO.	PART NO.	DESCRIPTION	MODEL(S)
1	11105	O-RING, oil drain plug	JX/XX
2	60328-98B	PLUG, oil drain w/11105	JX/XX
3	63579-06	FITTING (3)	JX/XX
4	AA0508.2CZB	BOLT (3)	JX/XX
5	AA0520.2CXZB	SCREW	JX/XX
6	AA0712.2CZB	SCREW, axle head	JX/XX
7	CB0002.T	WASHER, pinch bolt	JX/XX
8	CD0002.T	NUT	JX/XX
9	E0006.02A8	BEARING, swingarm (2)	JX/XX
10	K0003.1AKYBP	SWINGARM, w/ 2, 3, 9, 12, 14, 16 & label(s) (graphite grey)	JX/XX
11	K0101.1AKYBP	BRACE, swingarm (graphite grey)	JX/XX
12	K0158.1AK	SPACER, swingarm bearing	JX/XX
13	K0200.02A8B	SHAFT, swingarm pivot	JX/XX
14	K0403.02A8	BUSHING, rear shock (2)	JX/XX
15	Q0109.1AK	O-RING, oil filler plug	JX/XX
16	Q0127.1AK	OIL FILLER PLUG ASSEMBLY, w/ Q0109.1AK	JX/XX

**INTERNATIONAL MODELS ONLY**

17	K0002.1AKYBP	SWINGARM, w/ 2, 3, 9, 12, 14, 16 & label(s) (JAPAN) (graphite grey)	JX/XX
----	--------------	---	-------

**2007 MODEL IDENTIFICATION CODES**

KX = 9SX

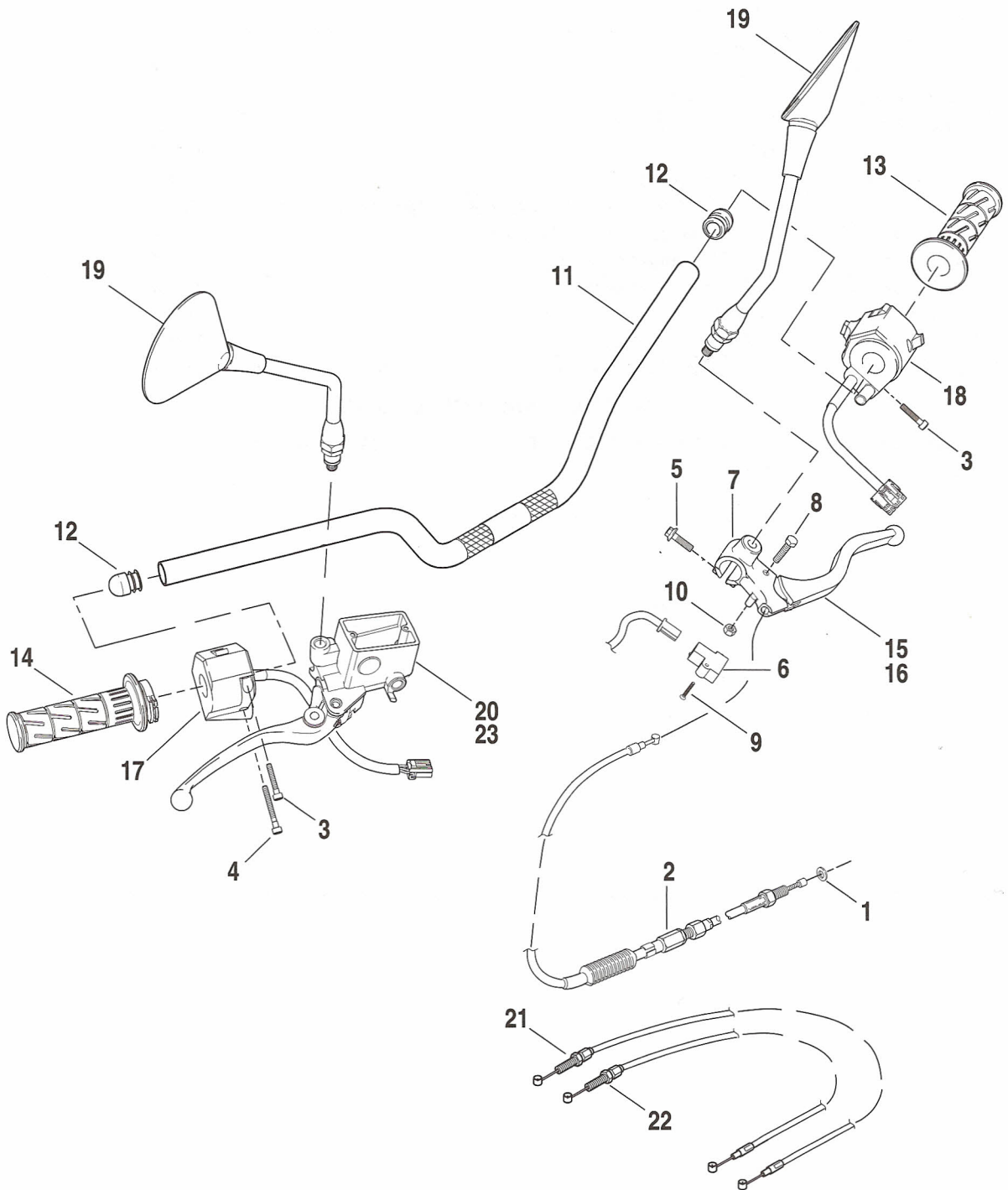
SX = 12S

WX = 12Scg

JX = 12Ss

XX = 12STT

# HANDLEBARS & HAND CONTROLS - 12S/12Scg/12Ss



<b>INDEX NO.</b>	<b>PART NO.</b>	<b>DESCRIPTION</b>	<b>MODEL(S)</b>
1	11179	O-RING	JX/SX/WX
2	38613-03A	CLUTCH CABLE	JX/SX/WX
3	A0525.2CBL	SCREW (3)	JX/SX/WX
4	A0540.2CBL	SCREW	JX/SX/WX
5	A0622.21CBL C0048.02A8	SCREW, clutch lever pinch CLAMP, clutch cable (not illustrated)	JX/SX/WX JX/SX/WX
6	C0145.T	SWITCH, clutch lever	JX/SX/WX
7	C0149.T	BRACKET, clutch lever	JX/SX/WX
8	CA0002.T	BOLT, switch lever assembly	JX/SX/WX
9	CA0006.TA	SCREW, switch mounting	JX/SX/WX
10	CD0001.T	NUT, clutch lever assembly	JX/SX/WX
11	N0002.1AD	HANDLEBAR	JX/SX/WX
12	N0010.02A8	END CAP (2)	JX/SX/WX
13	N0050.K	HAND GRIP, left	JX/SX/WX
14	N0051.K	HAND GRIP, right	JX/SX/WX
15	N1102.02A8	CLUTCH LEVER, w/ CA0002.T & CD0001.T	JX/SX/WX
16	N0104.02A8	CLUTCH LEVER ASSEMBLY, w/ 6, 7, 9 & 15	JX/SX/WX
17	N0158.TA	SWITCH GEAR, right w/ A0525.2CBL & A0540.2CBL	JX/SX/WX
18	N0159.TA	SWITCH GEAR, left w/ A0525.2CBL (2)	JX/SX/WX
19	N0161.01A1A	MIRROR (2)	JX/SX/WX
20	N0200.02A8	MASTER CYLINDER ASSEMBLY, front, complete	JX/SX/WX
21	N0307.1ADA	CABLE, throttle control	JX/SX/WX
22	N0308.1ADA	CABLE, idle control	JX/SX/WX
<b>INTERNATIONAL MODELS ONLY</b>			
23	N0096.02A8	MASTER CYLINDER ASSEMBLY, w/ lever & label(s) (JAPAN)	JX/SX/WX

**2007 MODEL IDENTIFICATION CODES**

KX = 9SX

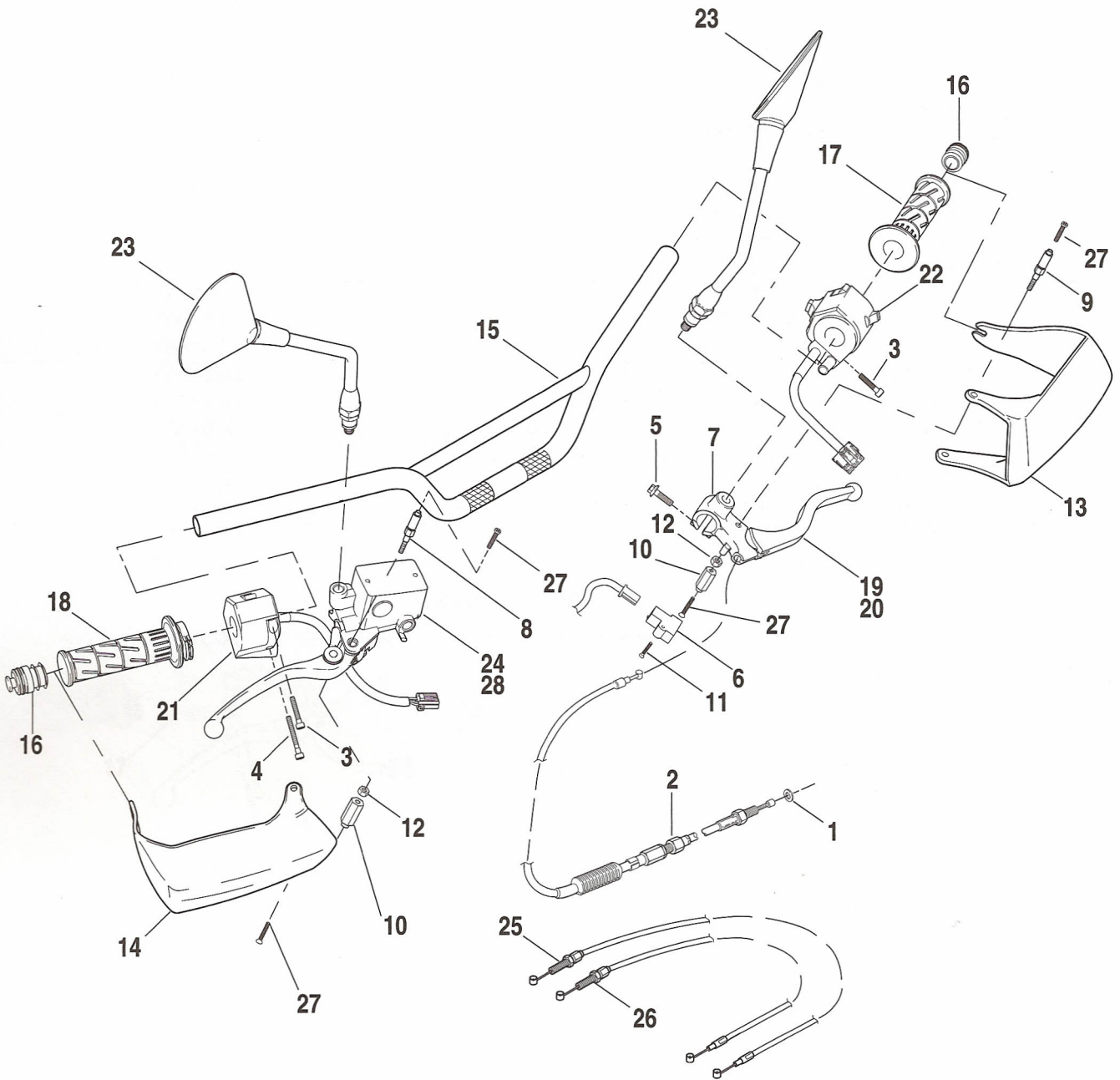
SX = 12S

WX = 12Scg

JX = 12Ss

XX = 12STT

# HANDLEBARS & HAND CONTROLS - 9SX/12STT



INDEX NO.	PART NO.	DESCRIPTION	MODEL(S)
1	11179	O-RING	KX/XX
2	38613-03A	CLUTCH CABLE	KX/XX
3	A0525.2CBL	SCREW (3)	KX/XX
4	A0540.2CBL	SCREW	KX/XX
5	A0622.21CBL	SCREW, clutch lever pinch	KX/XX
	C0048.02A8	CLAMP, clutch cable (not illustrated)	KX/XX
6	C0145.T	SWITCH, clutch lever	KX/XX
7	C0149.T	BRACKET, clutch lever	KX/XX
8	C0064.1AJ	BRAKE PIVOT SHAFT	KX/XX
9	C0065.1AJ	CLUTCH PIVOT SHAFT	KX/XX
10	C0066.1AJ	PIVOT SHAFT RISER (2)	KX/XX
11	CA0006.TA	SCREW, switch mounting	KX/XX
12	CD0001.T	NUT, clutch lever assembly	KX/XX
13	N0007.1AJMBE	DEFLECTOR, left	KX/XX
14	N0017.1AJMBE	DEFLECTOR, right	KX/XX
15	N0037.1AJ	HANDLEBAR	KX/XX
16	N0053.1AJ	END CAP (2)	KX/XX
17	N0050.K	HAND GRIP, left	KX/XX
18	N0051.K	HAND GRIP, right	KX/XX
19	N1102.1AJ	CLUTCH LEVER, w/ C0065.1AJ & CD0001.T	KX/XX
20	N0104.1AJ	CLUTCH LEVER ASSEMBLY, w/ 6, 7, 11 & 19	KX/XX
21	N0158.TA	SWITCH GEAR, right w/ A0525.2CBL & A0540.2CBL	KX/XX
22	N0159.TA	SWITCH GEAR, left w/ A0525.2CBL (2)	KX/XX
23	N0161.01A1A	MIRROR (2)	KX/XX
24	N0200.1AJ	MASTER CYLINDER ASSEMBLY, front, complete	KX/XX
25	N0307.1ADA	CABLE, throttle control	KX/XX
26	N0308.1ADA	CABLE, idle control	KX/XX
27	A0516.8CXDBL	SCREW (4)	KX/XX
<b>INTERNATIONAL MODELS ONLY</b>			
28	N0096.1AJ	MASTER CYLINDER ASSEMBLY, w/ lever & label(s) (JAPAN)	KX/XX

## 2007 MODEL IDENTIFICATION CODES

KX = 9SX

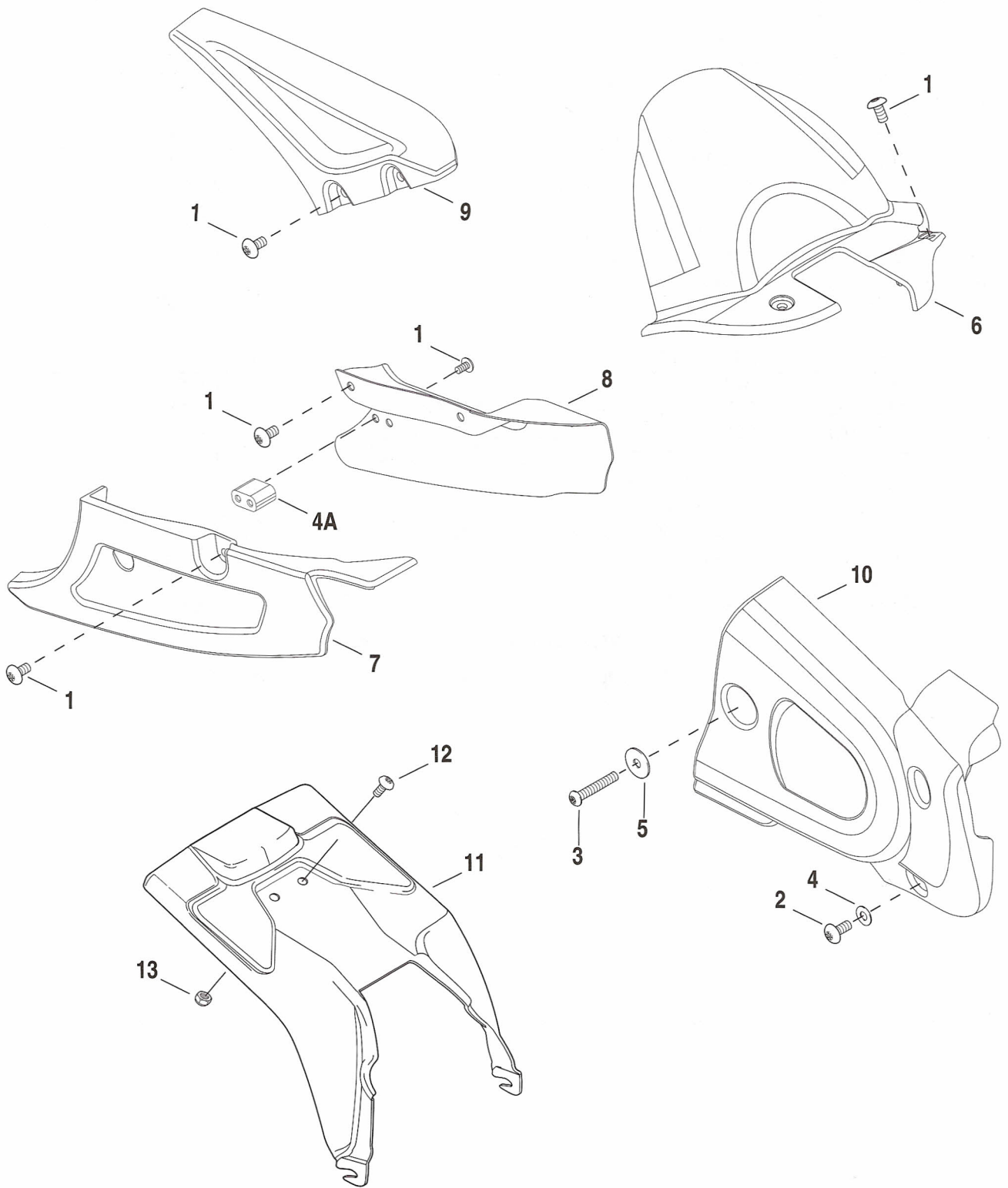
SX = 12S

WX = 12Scg

JX = 12Ss

XX = 12STT

# REAR FENDER & BELT GUARDS - 9SX/12S/12Scg



INDEX NO.	PART NO.	DESCRIPTION	MODEL(S)
1	AA0404.11CXVB	SCREW (8)	KX/SX/WX
2	AA0406.11CXVB	SCREW (2)	KX/SX/WX
3	AA0412.11CXVB	SCREW	KX/SX/WX
4	BA0409.6BL	WASHER (2)	KX/SX/WX
4A	C0082.4A8A	STANDOFF	KX/SX/WX
5	CB0012.02A8	WASHER	KX/SX/WX
6	M0550.4A8	FENDER, rear inner	KX/SX/WX
7	M0560.4A8	BELT GUARD, lower	KX/SX/WX
8	M0561.4A8B	STONE GUARD	KX/SX/WX
9	M0570.4A8	BELT GUARD, upper	KX/SX/WX
10	M0580.4A8	SPROCKET COVER	KX/SX/WX

## INTERNATIONAL MODELS ONLY

11	M0549.1AD	FENDER, outer (AUSTRALIA)	KX/SX/WX
12	AA0404.10CSS	SCREW (AUSTRALIA) (2)	KX/SX/WX
13	DA0400.8CZ	LOCKNUT (AUSTRALIA) (2)	KX/SX/WX

## 2007 MODEL IDENTIFICATION CODES

KX = 9SX

SX = 12S

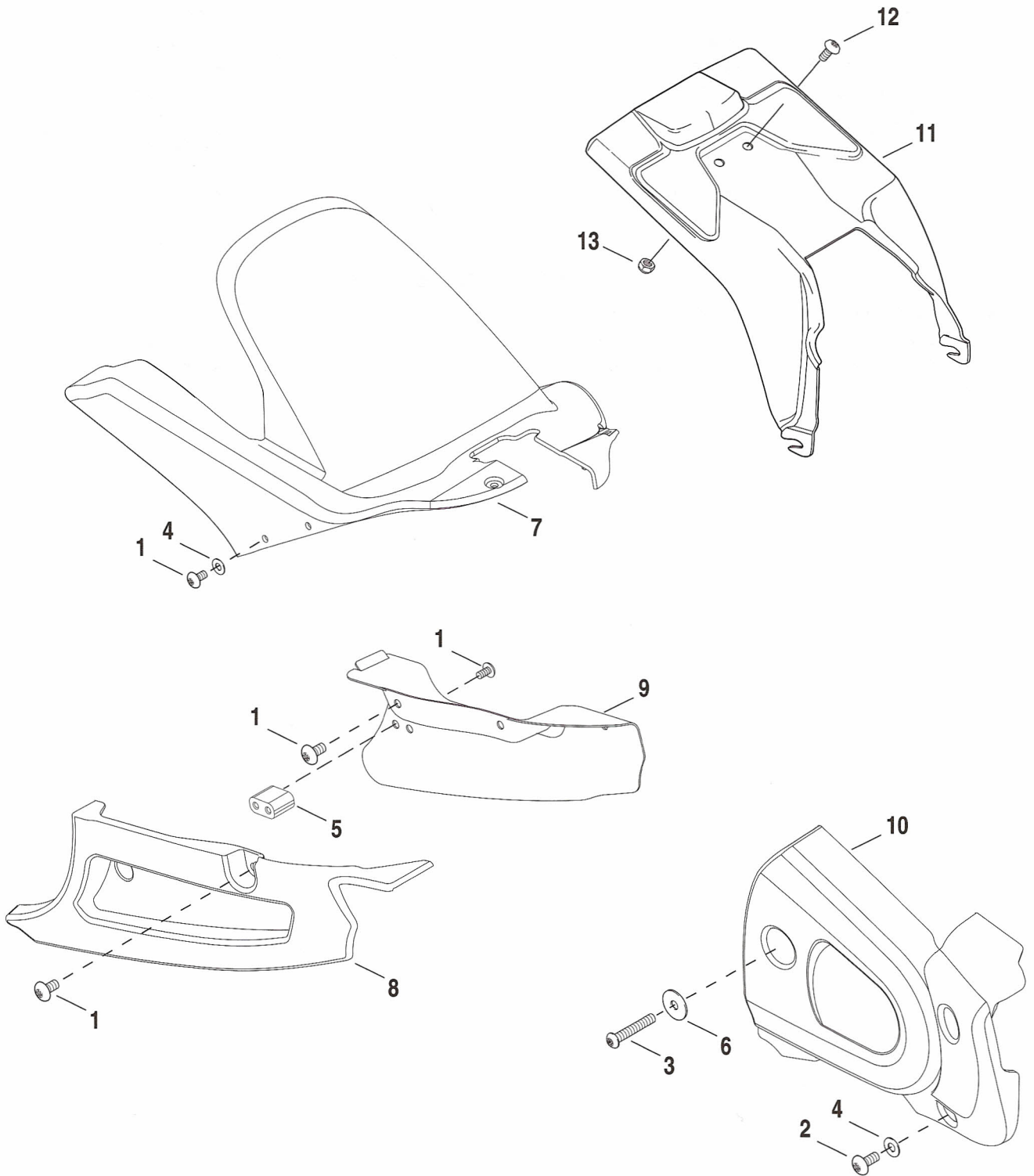
WX = 12Scg

JX = 12Ss

XX = 12STT



# REAR FENDER & BELT GUARDS - 12Ss/12STT



INDEX NO.	PART NO.	DESCRIPTION	MODEL(S)
1	AA0404.11CXVB	SCREW (9)	JX/XX
2	AA0406.11CXVB	SCREW (2)	JX/XX
3	AA0412.11CXVB	SCREW	JX/XX
4	BA0409.6BL	WASHER (7)	JX/XX
5	C0082.4A8A	STANDOFF	JX/XX
6	CB0012.02A8	WASHER	JX/XX
7	M0550.1AK	FENDER, rear inner	JX/XX
8	M0560.1AK	BELT GUARD, lower	JX/XX
9	M0561.1AKB	STONE GUARD	JX/XX
10	M0580.4A8	SPROCKET COVER	JX/XX
<b>INTERNATIONAL MODELS ONLY</b>			
11	M0549.1AD	FENDER, outer (AUSTRALIA)	JX/XX
12	AA0404.10CSS	SCREW (AUSTRALIA) (2)	JX/XX
13	DA0400.8CZ	LOCKNUT (AUSTRALIA) (2)	JX/XX

## 2007 MODEL IDENTIFICATION CODES

KX = 9SX

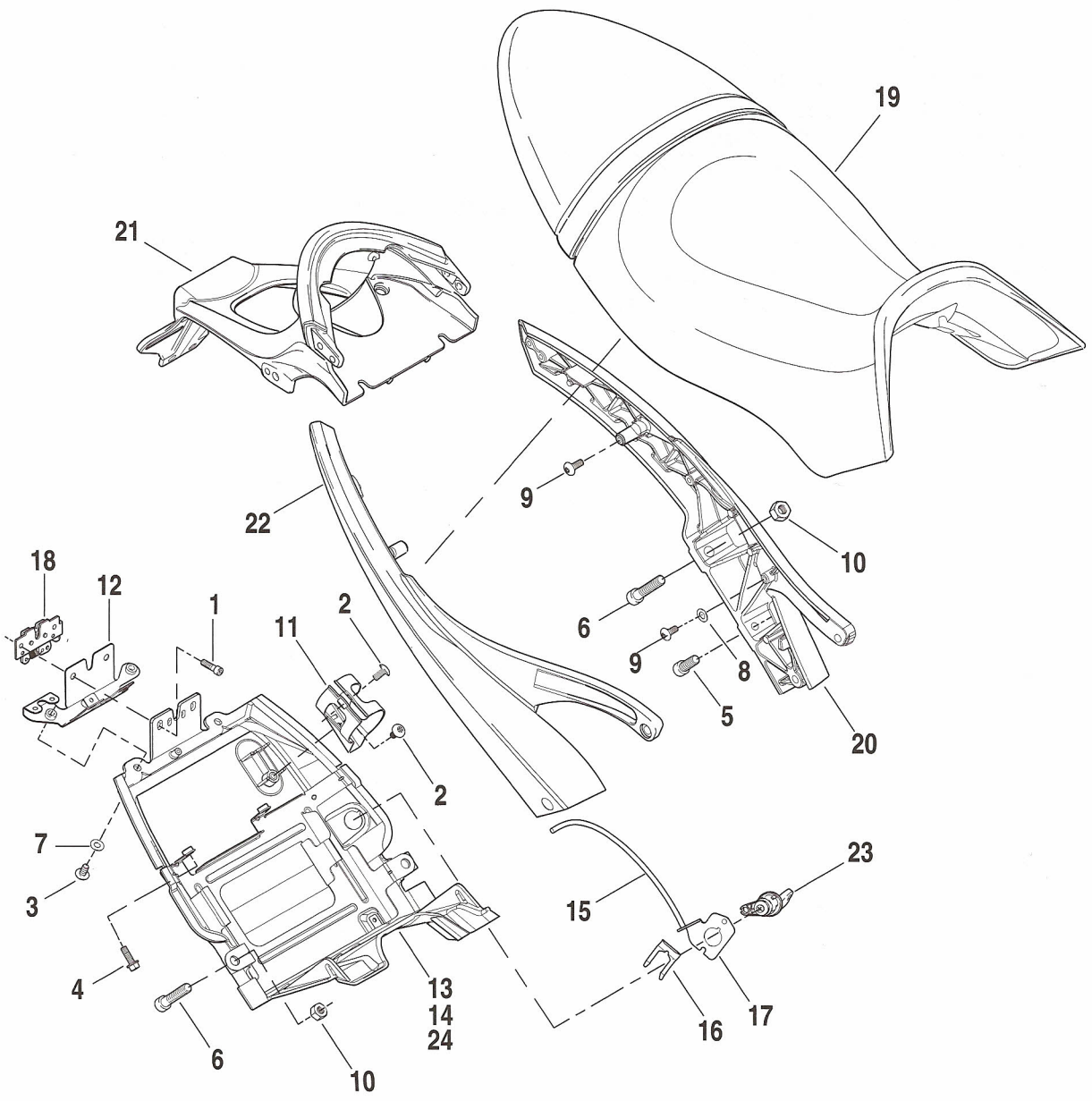
SX = 12S

WX = 12Scg

JX = 12Ss

XX = 12STT

# SEAT, TAIL SECTION & TRUNK - 9SX/12S/12Scg



INDEX NO.	PART NO.	DESCRIPTION	MODEL(S)
1	A0620.2CZB	BOLT (2)	KX/SX/WX
2	AA0404.11CVB	SCREW (2)	KX/SX/WX
3	AA0404.11CXVB	SCREW (2)	KX/SX/WX
4	AA0406.21CZB	SCREW (2)	KX/SX/WX
5	AA0608.2CXZB	SCREW (2)	KX/SX/WX
6	AA0615.2CZB	SCREW (2)	KX/SX/WX
7	BA0409.6BL	WASHER (2)	KX/SX/WX
8	BA0509.6	WASHER (2)	KX/SX/WX
9	CA0018.02A8	SCREW, shoulder (2)	KX/SX/WX
10	DA0600.11CZ	LOCKNUT (2)	KX/SX/WX
11	L0072.1AD	BRACKET, rear shock reservoir mount	KX/SX/WX
12	L0075.1AD	BRACKET, seat latch	KX/SX/WX
13	L0076.1AD	BATTERY PAN	KX/SX/WX
14	M0007.1AD	TRUNK PAN KIT, w/ battery warning label	KX/SX/WX
15	M0066.1AD	CABLE, seat lock	KX/SX/WX
16	M0067.02A8	RETAINER, seat lock	KX/SX/WX
17	M0068.02A8	PLATE, seat lock	KX/SX/WX
18	M0069.02A8	LATCH, seat lock	KX/SX/WX
19	M0076.3AE	SEAT, complete	WX
	M0090.1AC	SEAT, complete	SX
	N0025.1AJYW	SEAT, complete	KX
20	M0612.1AD	TAIL SECTION, left (titanium silver)	KX
	M0612.1ADYBT	TAIL SECTION, left (hammertone silver)	SX/WX
21	M0613.1ADYT	BRACKET, license plate illumination/center tail section (designer black)	KX
	M0613.1ADYBQ	BRACKET, license plate illumination/center tail section (magnesium tone)	SX/WX
22	M0614.1AD	TAIL SECTION, right (titanium silver)	KX
	M0614.1ADYBT	TAIL SECTION, right (hammertone silver)	SX/WX
23	Y0725.02A8	SEAT LOCK, w/ key(s)	KX/SX/WX
<b>INTERNATIONAL MODELS ONLY</b>			
24	M0008.1AD	TRUNK PAN KIT, w/ battery warning label (JAPAN)	KX/SX/WX

## 2007 MODEL IDENTIFICATION CODES

KX = 9SX

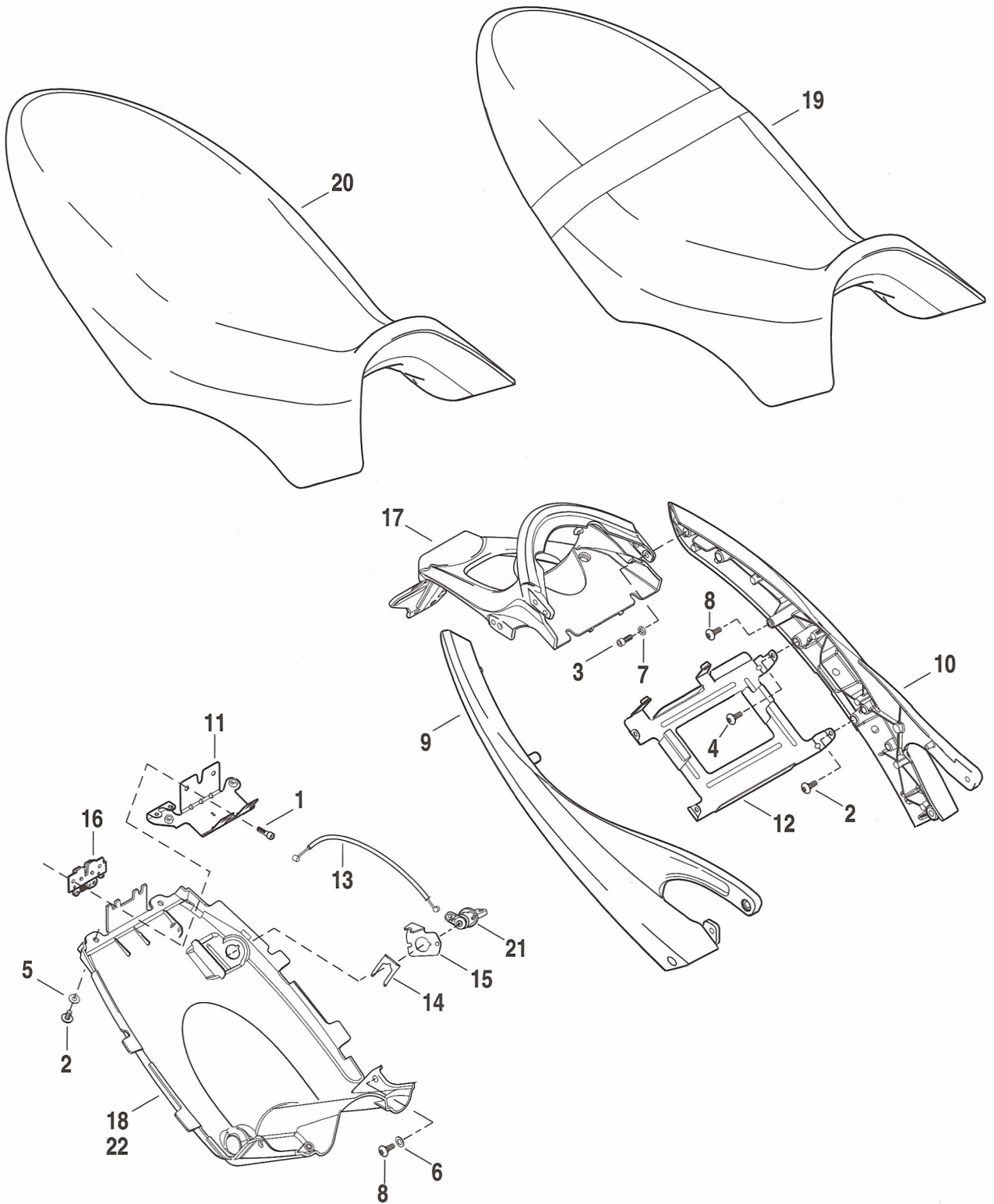
SX = 12S

WX = 12Scg

JX = 12Ss

XX = 12STT

# SEAT, TAIL SECTION & TRUNK - 12Ss/12STT



INDEX NO.	PART NO.	DESCRIPTION	MODEL(S)
1	A0620.2CZB	BOLT (2)	JX/XX
2	AA0404.11CXVB	SCREW (5)	JX/XX
3	AA0405.2CXZB	SCREW (4)	JX/XX
4	AA0406.11CXVB	SCREW	JX/XX
5	BA0409.6BL	WASHER (2)	JX/XX
6	BA0509.6	WASHER (2)	JX/XX
7	B0613.1Z	WASHER (4)	JX/XX
8	CA0018.02A8	SCREW (4)	JX/XX
9	L0009.1ANYBT	TAIL SECTION, right (hammertone silver)	JX
	L0009.1ANYT	TAIL SECTION, right (designer black)	XX
10	L0010.1ANYBT	TAIL SECTION, left (hammertone silver)	JX
	L0010.1ANYT	TAIL SECTION, left (designer black)	XX
11	L0075.1AN	BRACKET, seat latch	JX/XX
12	L0076.1AN	BATTERY PAN	JX/XX
13	M0066.1AN	CABLE, seat lock	JX/XX
14	M0067.02A8	RETAINER, seat lock	JX/XX
15	M0068.02A8	PLATE, seat lock	JX/XX
16	M0069.02A8	LATCH, seat lock	JX/XX
17	M0613.1ADYBQ	TAIL SECTION, center (magnesium tone)	JX
	M0613.1ADYT	TAIL SECTION, center (designer black)	XX
18	M0007.1AN	TRUNK PAN KIT, w/ battery warning label	JX/XX
19	N0025.1ANFYW	SEAT	JX
20	N0025.1ASYW	SEAT	XX
21	Y0725.02A8	LOCK, seat w/ key	JX/XX
<b>INTERNATIONAL MODELS ONLY</b>			
22	M0008.1AN	TRUNK PAN KIT, w/ battery warning label (JAPAN)	JX/XX

## 2007 MODEL IDENTIFICATION CODES

KX = 9SX

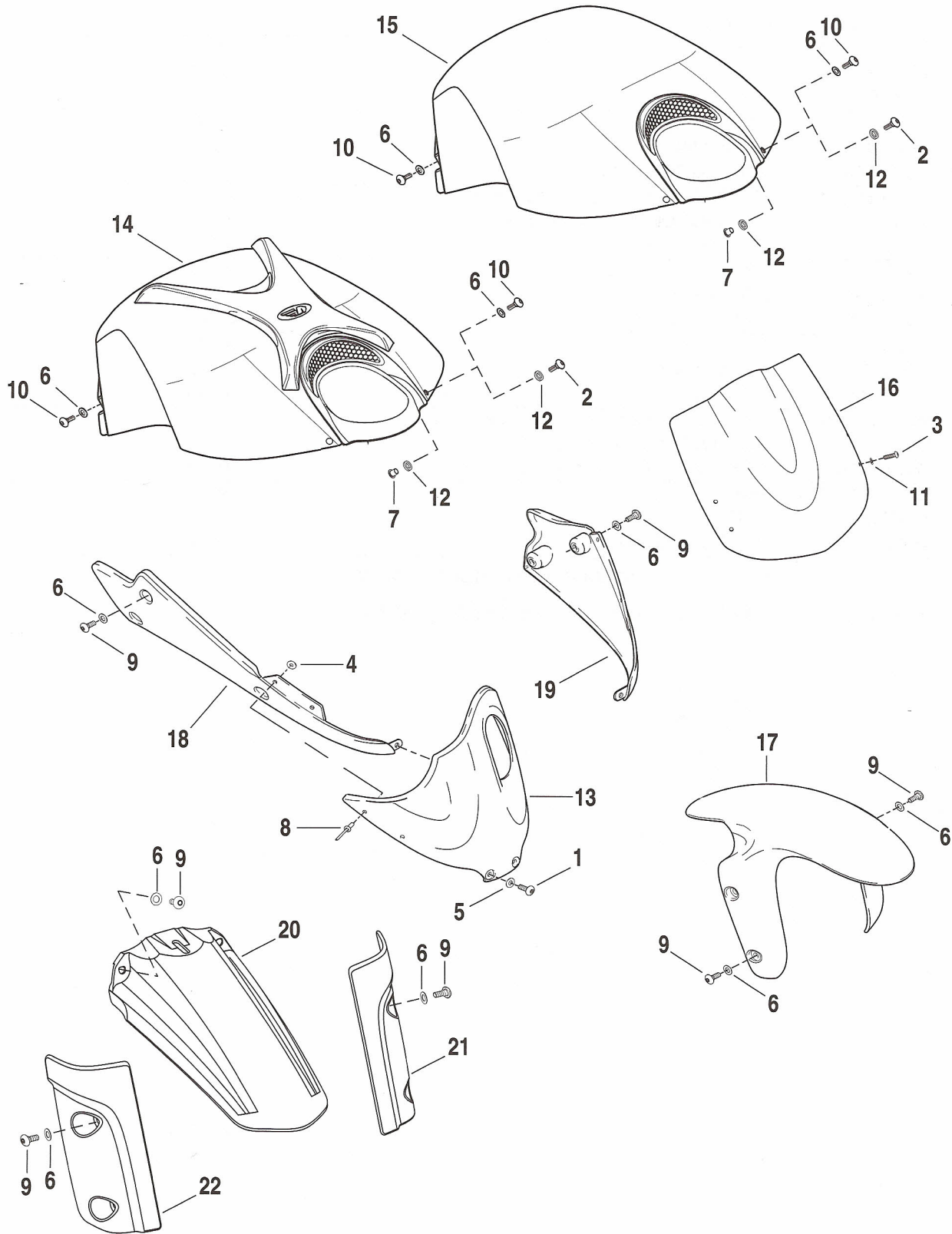
SX = 12S

WX = 12Scg

JX = 12Ss

XX = 12STT

# INTAKE COVER, FRONT FENDER & CHIN FAIRING



## INTAKE COVER, FRONT FENDER &amp; CHIN FAIRING

INDEX NO.	PART NO.	DESCRIPTION	MODEL(S)
1	AA0404.11CXVB	SCREW (2)	ALL
2	AA0406.11CVB	SCREW, translucent cover (2)	KX/SX/WX
3	AN1005.3FSS	SCREW (4)	ALL
4	BA0308.1BL	WASHER, black (4)	ALL
5	BA0409.6BL	WASHER, black (2)	ALL
6	BA0509.6	WASHER, clear (13)	ALL
	C0052.1AD	PAD, adhesive (not illustrated)	ALL
	C0086.3AC	PAD, adhesive (not illustrated)	SX/WX
7	C0188.3AA	BUSHING, translucent cover (2)	KX/SX/WX
8	C0520.02A8	RIVET, black (4)	ALL
9	CA0012.02A8	SCREW, shoulder (9)	ALL
10	CA0018.02A8	SCREW, shoulder (7)	ALL
11	CB0009.02A8	WASHER (4)	ALL
12	CB0016.3AA	WASHER, translucent cover (2)	KX/SX/WX
13	M0698.02A8AMBQ	CHIN FAIRING, center (magnesium tone)	JX/SX/WX
	M0698.02A8AMBE	CHIN FAIRING, center (body black)	KX/XX
14	M1224.3AJMBX	INTAKE COVER KIT, w/ decals (hero blue)	KX
	M1224.3AJMCD	INTAKE COVER KIT, w/ decals (kick ash)	KX
15	M1224.4ACMCH	INTAKE COVER KIT, w/ decals (valencia orange)	SX/WX
	M1224.4ACMW	INTAKE COVER KIT, w/ decals (midnight black)	JX/SX/WX
	M1224.2ANMZ	INTAKE COVER KIT, w/ decals (sunset orange)	JX
	M1224.4ACMCC	INTAKE COVER KIT, w/ decals (cherry bomb)	SX/WX
	M1224.1ASMAW	INTAKE COVER KIT, w/ decals (arctic white)	XX
	M1224.1ASMBW	INTAKE COVER KIT, w/ decals (barricade orange)	XX
16	M1600.1ACMW	WINDSCREEN KIT, w/ C0052.1AD & decal (midnight black)	SX/WX
	M1600.1AJAMBX	WINDSCREEN KIT, w/ C0052.1AD & decal (hero blue)	KX
	M1600.1ANMW	WINDSCREEN KIT, w/ C0052.1AD & decal (midnight black)	JX
	M1600.1ANMZ	WINDSCREEN KIT, w/ C0052.1AD & decal (sunset orange)	JX
	M1600.2AJMCD	WINDSCREEN KIT, w/ C0052.1AD & decal (kick ash)	KX
	M1600.3ACMCH	WINDSCREEN KIT, w/ C0052.1AD & decal (valencia orange)	SX/WX
	M1600.4ACMCC	WINDSCREEN KIT, w/ C0052.1AD & decal (cherry bomb)	SX/WX
	M1600.1ASMAW	WINDSCREEN KIT, w/ C0052.1AD & decal (arctic white)	XX
17	M1662.1ANMZ	FENDER, front (sunset orange)	JX
	M1662.02A8MW	FENDER, front (midnight black)	JX/KX/SX/WX
18	M2647.1ANMZ	CHIN FAIRING KIT, right (sunset orange)	JX
	M2647.02A8AMW	CHIN FAIRING KIT, right (midnight black)	ALL
19	M2648.1ANMZ	CHIN FAIRING KIT, left (sunset orange)	JX
	M2648.02A8AMW	CHIN FAIRING KIT, left (midnight black)	ALL
20	M1662.1ASMBE	FENDER, front	XX
21	M0012.1AS	FENDER, front lower left	XX
22	M0022.1AS	FENDER, front lower right	XX

## 2007 MODEL IDENTIFICATION CODES

KX = 9SX

SX = 12S

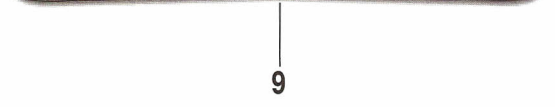
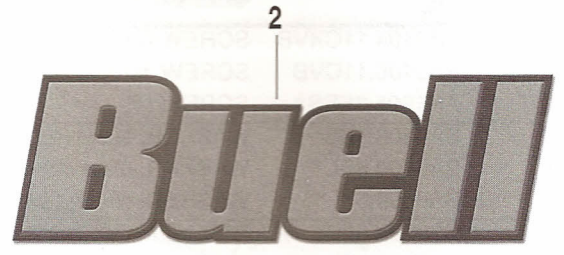
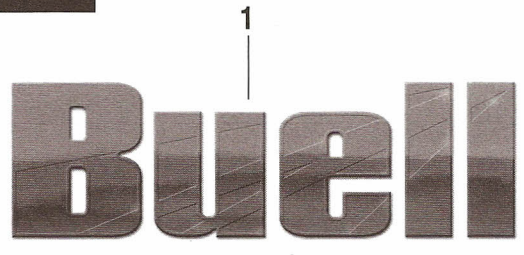
WX = 12Scg

JX = 12Ss

XX = 12STT



DECALS



INDEX NO.	PART NO.	DESCRIPTION	MODEL(S)
1	M0725.4ACYW	DECAL, intake cover (translucent amber)	JX/SX/WX
	M0750.2ANYZ	DECAL, intake cover (graphite/black)	SX/WX
	M0750.3AJ	DECAL, intake cover	KX
2	M0725.1AS	DECAL, intake cover (barricade orange)	XX
	M0725A.1AS	DECAL, intake cover (arctic white)	XX
3	M0726.1AC	DECAL, windscreen/tail screen	SX/WX
4	M0726.1AJ	DECAL, windscreen/tail screen	KX
5	M0726.1AN	DECAL, windscreen/tail screen	JX
6	M0726.1AS	DECAL, windscreen/tail screen	XX
7	M0675.1AC	GRAPHIC, handlebar clamp	SX/WX
8	N0675.1AN	GRAPHIC, handlebar clamp	JX
9	M0675.1AS	GRAPHIC, handlebar clamp	XX

## 2007 MODEL IDENTIFICATION CODES

KX = 9SX

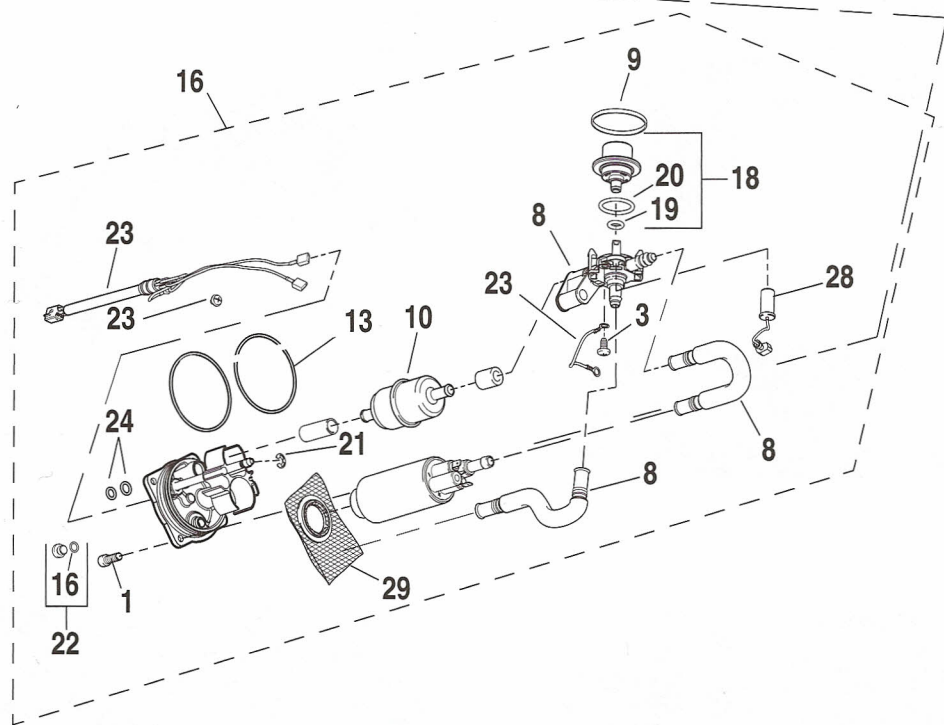
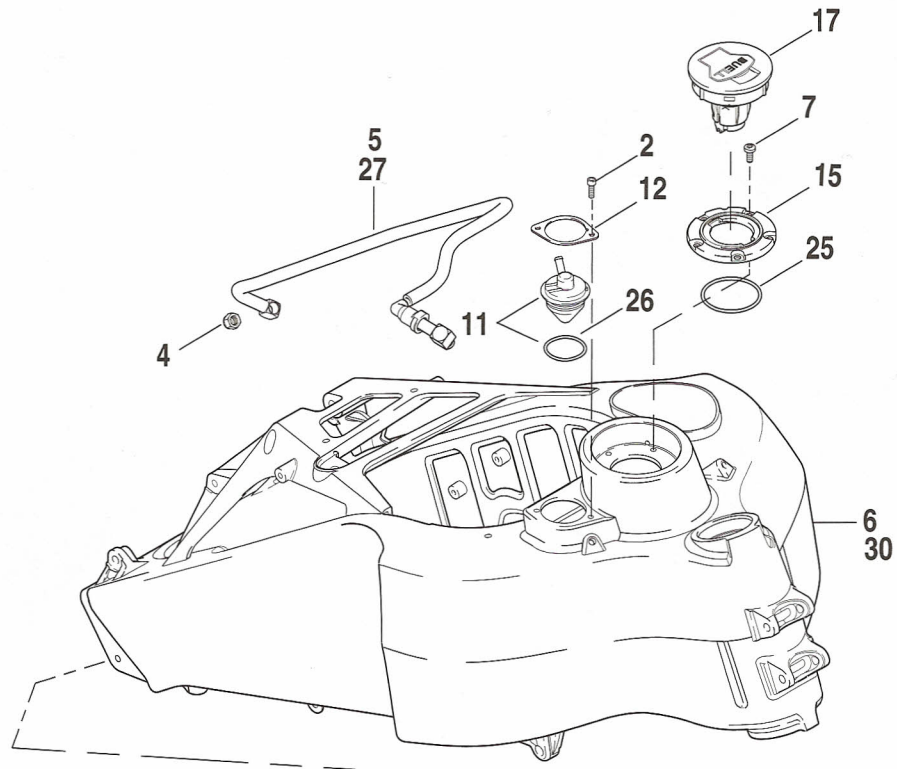
SX = 12S

WX = 12Scg

JX = 12Ss

XX = 12STT

# FUEL TANK & PUMP



INDEX NO.	PART NO.	DESCRIPTION	MODEL(S)
1	AA0406.2CXZB	SCREW (4)	ALL
2	AN1004.2CZ	SCREW (2)	ALL
3	CA0027.3A8	SCREW	ALL
4	DA0500.8FZ	NUT	ALL
5	HS0015.02A8	SLEEVE	ALL
6	L0600.1ASYBP	FRAME/FUEL TANK ASSEMBLY KIT, front w/ bearing races & labels. (DOMESTIC) Fuel pump & lines not included. See FRAME pages for more information on kit.	XX
	L0600.2ANYBP	FRAME/FUEL TANK ASSEMBLY KIT, front w/ bearing races & labels. (DOMESTIC) Fuel pump & lines not included. See FRAME pages for more information on kit.	JX
	L0600.3AJYBD	FRAME/FUEL TANK ASSEMBLY KIT, front w/ bearing races & labels. (DOMESTIC) Fuel pump & lines not included. See FRAME pages for more information on kit.	KX
	L0600.4ACYBP	FRAME/FUEL TANK ASSEMBLY KIT, front w/ bearing races & labels. (DOMESTIC) Fuel pump & lines not included. See FRAME pages for more information on kit.	SX/WX
	L0605.1ASYBP	FRAME/FUEL TANK ASSEMBLY KIT, front w/ bearing races & labels. (CALIFORNIA) Fuel pump & lines not included. See FRAME pages for more information on kit.	XX
	L0605.2ANYBP	FRAME/FUEL TANK ASSEMBLY KIT, front w/ bearing races & labels. (CALIFORNIA) Fuel pump & lines not included. See FRAME pages for more information on kit.	JX
	L0605.3AJYBD	FRAME/FUEL TANK ASSEMBLY KIT, front w/ bearing races & labels. (CALIFORNIA) Fuel pump & lines not included. See FRAME pages for more information on kit.	KX
	L0605.4ACYBP	FRAME/FUEL TANK ASSEMBLY KIT, front w/ bearing races & labels. (CALIFORNIA) Fuel pump & lines not included. See FRAME pages for more information on kit.	SX/WX
7	P0002.02A8	SCREW (5)	ALL
8	P0080.3A8	HOUSING, regulator, w/ hoses	ALL
9	P0045.3A8	RING, regulator	ALL
10	P0101.02A8	FUEL FILTER, in line	ALL
11	P0115.02A8B	FUEL CELL VENT, w/ fuel cell vent o-ring	ALL
12	P0119.02A8A	RETAINING PLATE, fuel cell vent	ALL
13	P0121.02A8A	O-RING (2)	ALL
14	P0127.02A8	O-RING	ALL
15	P0128.02A8A	RETAINING RING, fuel cap	ALL
16	P0130.02A8A	FUEL PUMP ASSEMBLY	ALL
17	P0153.02A8	CAP, fuel tank, w/ key(s) (CANADA, DOMESTIC, ENGLAND, EUROPE, JAPAN)	ALL
	P0164.K	SEAL, pump outlet (not illustrated)	ALL
18	P0166.K	REGULATOR, w/ o-rings	ALL
19	P0177.KA	O-RING, small regulator	ALL
20	P0178.KA	O-RING, large regulator	ALL
21	P0187.02A8	E-CLIPS	ALL
22	P1203.3A8	DRAIN PLUG, w/ o-ring	ALL
23	P0194.3A8	WIRE ASSEMBLY, w/ screw kit	ALL
24	P0198.02A8	O-RING KIT, banjo stud	ALL
25	P0228.02A8	O-RING, fuel cap retaining ring	ALL
26	P0229.02A8	O-RING, fuel cell vent	ALL
	P0356.3A8	CLAMP, fuel filter (not illustrated)	ALL
27	P0464.02A8A	FUEL LINE ASSEMBLY, w/ HS0015.02A8	ALL
28	P0789.KA	SENSOR, low level	ALL
29	P0806.K	FILTER, fuel pump, internal	ALL

## 2007 MODEL IDENTIFICATION CODES

KX = 9SX

SX = 12S

WX = 12Scg

JX = 12Ss

XX = 12STT



INDEX NO.	PART NO.	DESCRIPTION	MODEL(S)
<b>INTERNATIONAL MODELS ONLY</b>			
30	L0601.1ASYBP	FRAME/FUEL TANK ASSEMBLY KIT, front w/ bearing races & labels. (CANADA) Fuel pump & lines not included. See FRAME pages for more information on kit.	XX
	L0601.3AJYBD	FRAME/FUEL TANK ASSEMBLY KIT, front w/ bearing races & labels. (CANADA) Fuel pump & lines not included. See FRAME pages for more information on kit.	KX
	L0601.2ANYBP	FRAME/FUEL TANK ASSEMBLY KIT, front w/ bearing races & labels. (CANADA) Fuel pump & lines not included. See FRAME pages for more information on kit.	JX
	L0601.4ACYBP	FRAME/FUEL TANK ASSEMBLY KIT, front w/ bearing races & labels. (CANADA) Fuel pump & lines not included. See FRAME pages for more information on kit.	SX/WX
	L0602.1AKYBP	FRAME/FUEL TANK ASSEMBLY KIT, front w/ bearing races & labels. (ENGLAND, EUROPE) Fuel pump & lines not included. See FRAME pages for more information on kit.	JX/XX
	L0602.2AJYBD	FRAME/FUEL TANK ASSEMBLY KIT, front w/ bearing races & labels. (ENGLAND, EUROPE) Fuel pump & lines not included. See FRAME pages for more information on kit.	KX
	L0602.3AAYBP	FRAME/FUEL TANK ASSEMBLY KIT, front w/ bearing races & labels. (ENGLAND, EUROPE) Fuel pump & lines not included. See FRAME pages for more information on kit.	SX/WX
	L0603.1ANYBP	FRAME/FUEL TANK ASSEMBLY KIT, front w/ bearing races & labels. (AUSTRALIA) Fuel pump & lines not included. See FRAME pages for more information on kit.	JX/XX
	L0603.3AAYBP	FRAME/FUEL TANK ASSEMBLY KIT, front w/ bearing races & labels. (AUSTRALIA) Fuel pump & lines not included. See FRAME pages for more information on kit.	SX/WX
	L0603.4A8YBD	FRAME/FUEL TANK ASSEMBLY KIT, front w/ bearing races & labels. (AUSTRALIA) Fuel pump & lines not included. See FRAME pages for more information on kit.	KX
	L0604.2ANYBP	FRAME/FUEL TANK ASSEMBLY KIT, front w/ bearing races & labels. (JAPAN) Fuel pump & lines not included. See FRAME pages for more information on kit.	JX/XX
	L0604.2AJYBD	FRAME/FUEL TANK ASSEMBLY KIT, front w/ bearing races & labels. (JAPAN) Fuel pump & lines not included. See FRAME pages for more information on kit.	KX
	L0604.4ACYBP	FRAME/FUEL TANK ASSEMBLY KIT, front w/ bearing races & labels. (JAPAN) Fuel pump & lines not included. See FRAME pages for more information on kit.	SX/WX

## 2007 MODEL IDENTIFICATION CODES

KX = 9SX

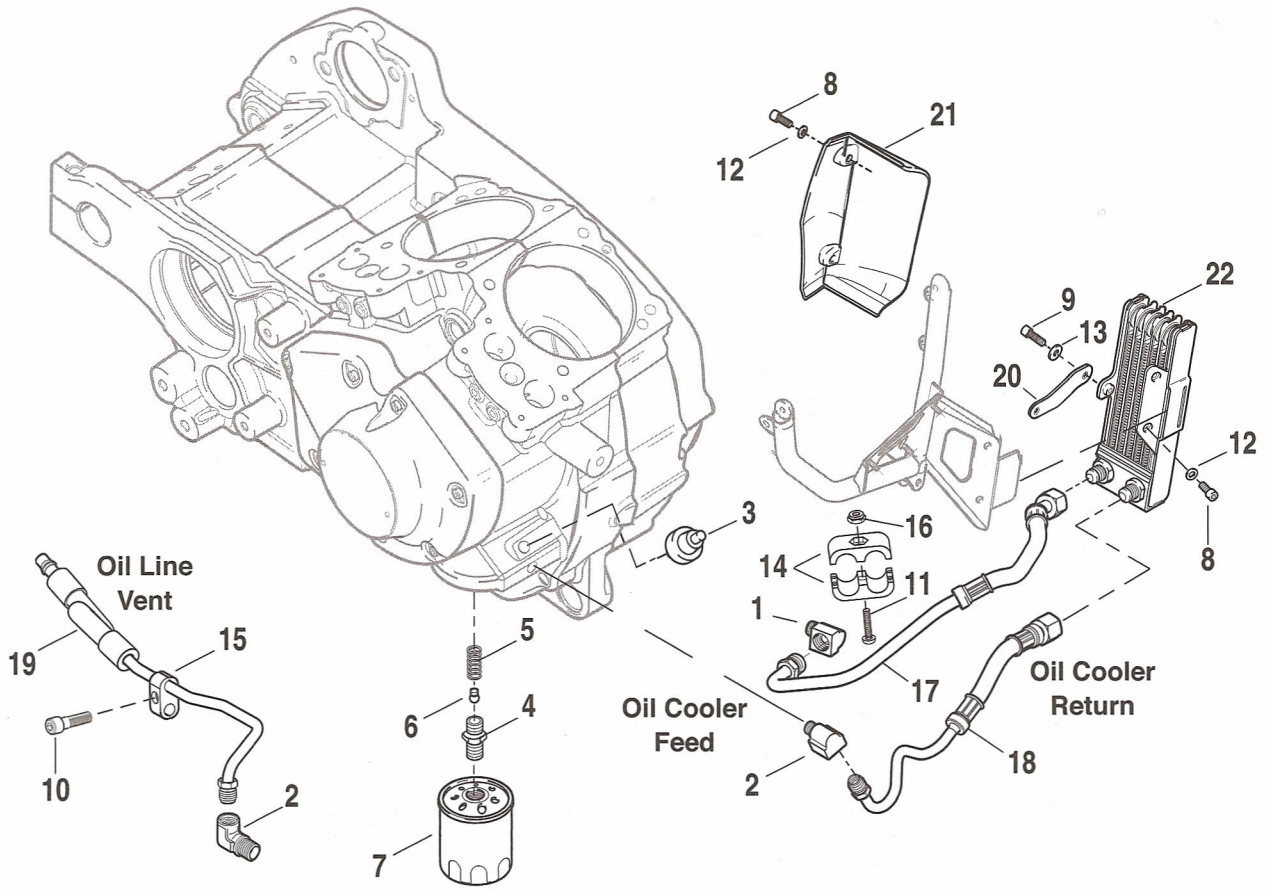
SX = 12S

WX = 12Scg

JX = 12Ss

XX = 12STT

# OIL FILTER & LINES



INDEX NO.	PART NO.	DESCRIPTION	MODEL(S)
1	26359-02A	FITTING, connector - 45 degree	ALL
2	26365-02A	FITTING, connector - 90 degree	ALL
3	26564-04	SWITCH, oil pressure	ALL
4	33117-91A	ADAPTER, oil filter	ALL
5	33154-00Y	SPRING	ALL
6	33155-00YA	BALL	ALL
7	63806-00Y	OIL FILTER	ALL
8	AA0405.2CXZB	SCREW (4)	ALL
9	AA0406.2CZB	SCREW	ALL
10	AN1006.2CXZB	BOLT	ALL
11	AN1006.14FZB	SCREW (2)	ALL
12	B0613.1Z	WASHER (4)	ALL
13	BA0410.3Z	WASHER	ALL
14	C0056.1AA	CLAMP, 1/2 in. routing holes	ALL
15	C0077.4A8	CLAMP, 3/8 in. & 5/16 in. routing holes	ALL
16	DN1000.10FZB	NUT	ALL
17	HS0008.1AD	OIL LINE, oil cooler feed	ALL
18	HS0009.1AD	OIL LINE, oil cooler return	ALL
19	HS0024.4A8	OIL LINE, vent	ALL
	HS0022.4A8	OIL LINE, oil pump feed (not illustrated)	ALL
	HS0023.4A8	OIL LINE, oil pump return (not illustrated)	ALL
20	L0077.3AA	BRACKET, stabilizer	ALL
21	M0070.02A8	SCOOP, oil cooler	ALL
22	Q0002.02A8	OIL COOLER	ALL

## 2007 MODEL IDENTIFICATION CODES

KX = 9SX

SX = 12S

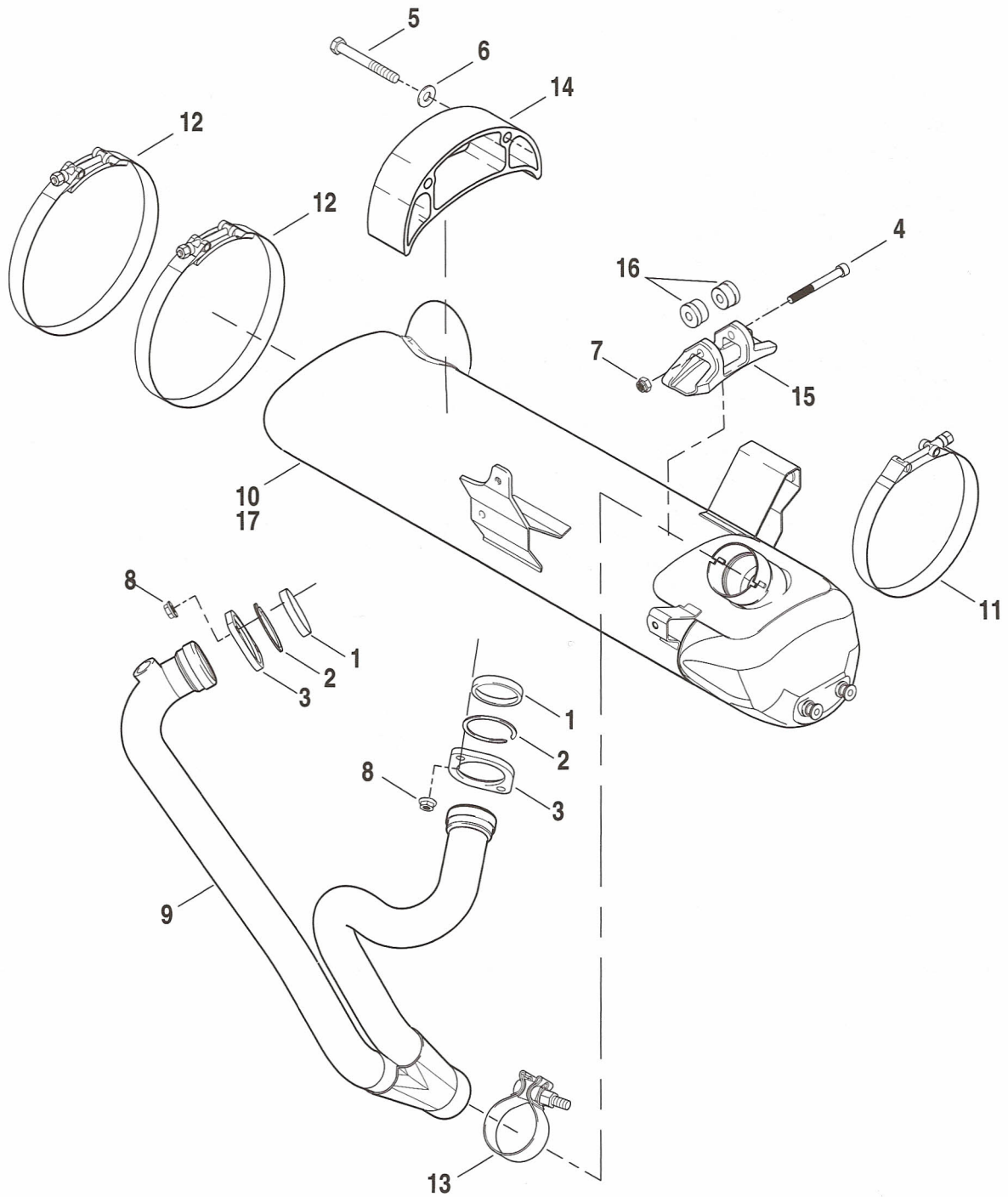
WX = 12Scg

JX = 12Ss

XX = 12STT



# EXHAUST SYSTEM - 9SX



INDEX NO.	PART NO.	DESCRIPTION	MODEL(S)
	65184-02	FLANGE, header (not illustrated) (2)	KX
1	65324-83A	GASKET, exhaust port (2)	KX
2	65325-83A	RETAINING RING, exhaust (2)	KX
3	65328-83	CLAMP, exhaust ring (2)	KX
4	AA0518.2CZB	SCREW	KX
5	AA0624.1CZB	SCREW (2)	KX
6	BA0613.2Z	WASHER, flat (2)	KX
7	DA0500.10CZ	LOCKNUT	KX
8	DA0500.12FZ	LOCKNUT (4)	KX
9	S0101.02A8A	HEADER	KX
10	S0110.02A8	MUFFLER	KX
11	S0116.02A8	MUFFLER STRAP, front	KX
12	S0123.02A8A	MUFFLER STRAP, rear (2)	KX
13	S0127.8	CLAMP, 2 in. torca	KX
14	S0133.02A8	MUFFLER BRACKET, rear	KX
15	S0135.02A8A	MUFFLER MOUNT, front	KX
16	S0136.02A8	BUSHING, front muffler mount (2)	KX
<b>INTERNATIONAL MODELS ONLY</b>			
17	S0111.02A8	MUFFLER (CANADA, AUSTRALIA, ENGLAND, EUROPE)	KX
	S0144.4A8	MUFFLER, w/ heat shield (JAPAN)	KX

## 2007 MODEL IDENTIFICATION CODES

KX = 9SX

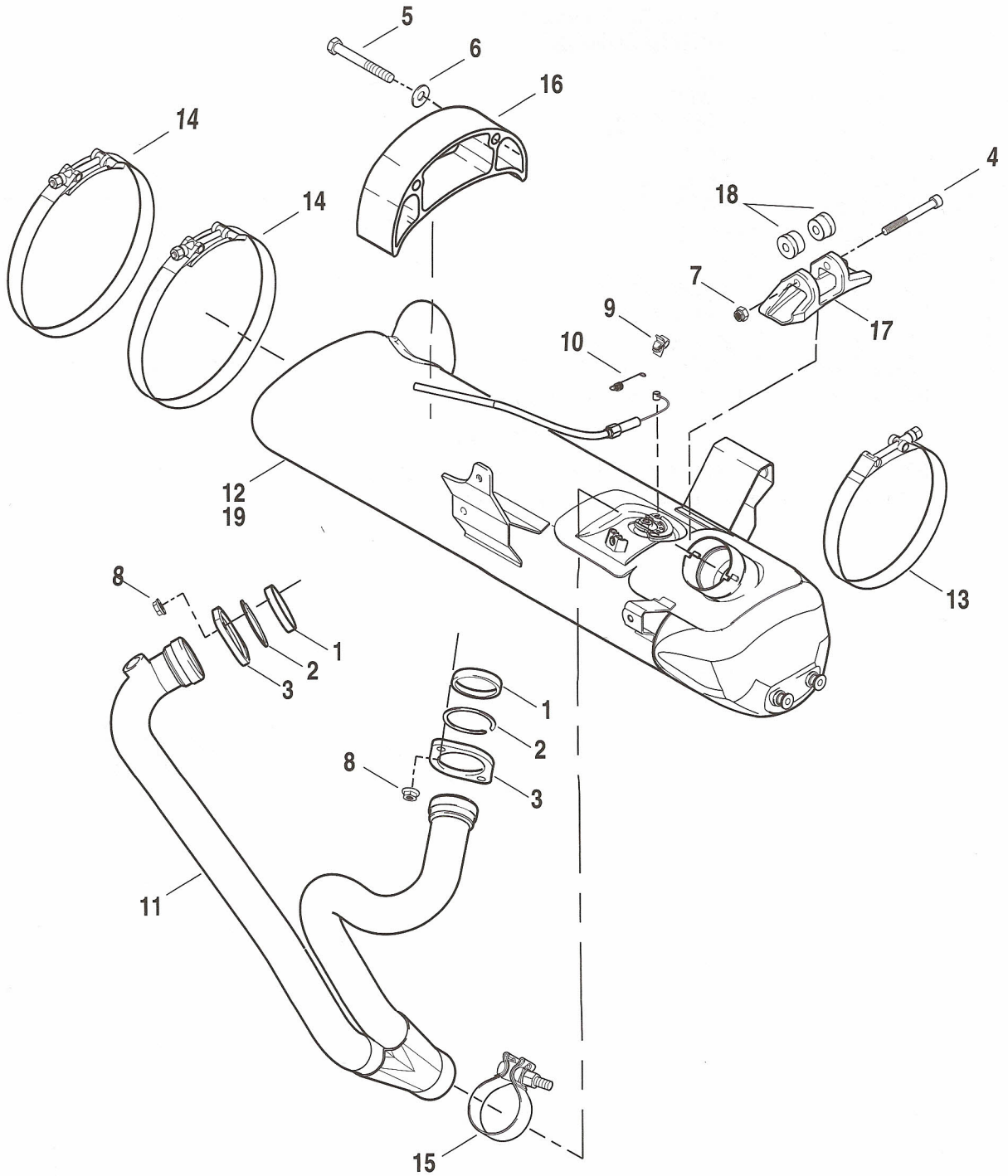
SX = 12S

WX = 12Scg

JX = 12Ss

XX = 12STT

# EXHAUST SYSTEM - 12S/12Scg/12Ss/12STT



INDEX NO.	PART NO.	DESCRIPTION	MODEL(S)
	65184-02	FLANGE, header (not illustrated) (2)	JX/SX/WX/XX
1	65324-83A	GASKET, exhaust port (2)	JX/SX/WX/XX
2	65325-83A	RETAINING RING, exhaust (2)	JX/SX/WX/XX
3	65328-83	CLAMP, exhaust ring (2)	JX/SX/WX/XX
4	AA0518.2CZB	SCREW	JX/SX/WX/XX
5	AA0624.1CZB	SCREW (2)	JX/SX/WX/XX
6	BA0613.2Z	WASHER, flat (2)	JX/SX/WX/XX
7	DA0500.10CZ	LOCKNUT	JX/SX/WX/XX
8	DA0500.12FZ	LOCKNUT (4)	JX/SX/WX/XX
9	S0096.1AA	CLIP, muffler cable	JX/SX/WX/XX
10	S0097.1AAA	SPRING, shaft retention, muffler	JX/SX/WX/XX
11	S0101.1AAA	HEADER	JX/SX/WX/XX
12	S0110.1AA	MUFFLER, interactive exhaust	JX/SX/WX
	S0110.1AS	MUFFLER, interactive exhaust	XX
13	S0116.02A8	MUFFLER STRAP, front	JX/SX/WX/XX
14	S0123.02A8A	MUFFLER STRAP, rear (2)	JX/SX/WX/XX
15	S0127.8	CLAMP, 2 in. torca	JX/SX/WX/XX
16	S0133.02A8	MUFFLER BRACKET, rear	JX/SX/WX/XX
17	S0135.02A8A	MUFFLER MOUNT, front	JX/SX/WX/XX
18	S0136.02A8	BUSHING, front muffler mount (2)	JX/SX/WX/XX
<b>INTERNATIONAL MODELS ONLY</b>			
19	S0144.3AA	MUFFLER, interactive exhaust w/ heat shield (JAPAN)	JX/SX/WX
	S0144.1AS	MUFFLER, interactive exhaust w/ heat shield (JAPAN)	XX

## 2007 MODEL IDENTIFICATION CODES

KX = 9SX

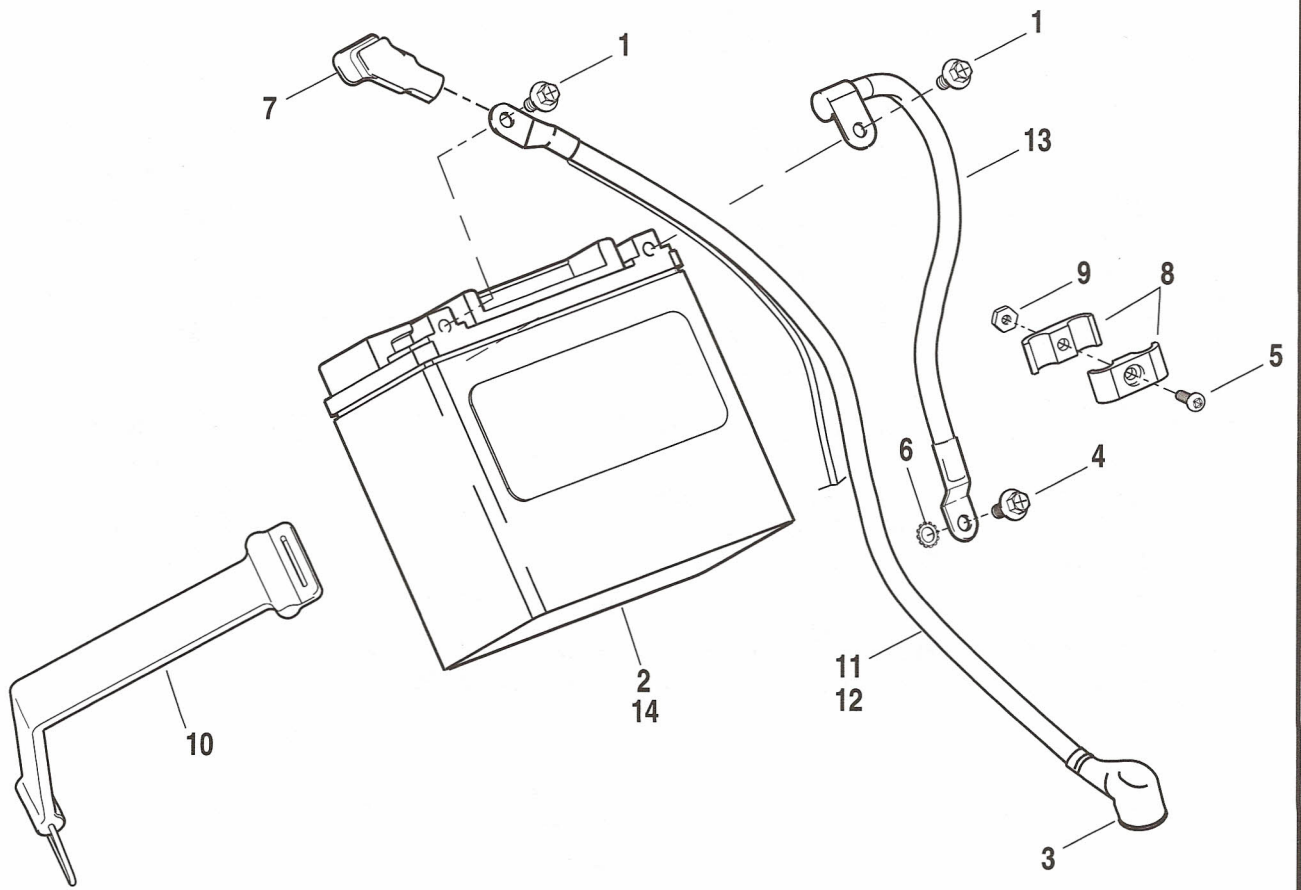
SX = 12S

WX = 12Scg

JX = 12Ss

XX = 12STT

# BATTERY



INDEX NO.	PART NO.	DESCRIPTION	MODEL(S)
1	4312B	SCREW (2)	ALL
2	65948-00	BATTERY, w/ 4312B	ALL
3	70578-89	BOOT, starter	ALL
4	AA0404.11CVB	SCREW	ALL
5	AN1005.14FZB	SCREW (2-JX/XX, 3-KX/SX/WX)	ALL
6	BA0409.4Z	WASHER, star	ALL
7	C0032.02A8	BOOT, battery terminal	ALL
8	C0034.02A8	CLAMP, 3/8 in. holes (2-JX/XX, 3-KX/SX/WX)	ALL
9	DN1000.10FZB	NUT (2-JX/XX, 3-KX/SX/WX)	ALL
10	Y0103.02A8	STRAP, battery (rubber)	ALL
11	Y0317.1AD	CABLE ASSEMBLY, positive w/ 3, 7, 12	ALL
12	Y0320.1AD	CABLE, positive	ALL
13	Y0321.02A8	CABLE, negative	ALL
<b>INTERNATIONAL MODELS ONLY</b>			
14	Y0024.02A8	BATTERY, w/ 4312B & label (JAPAN)	ALL

## 2007 MODEL IDENTIFICATION CODES

KX = 9SX

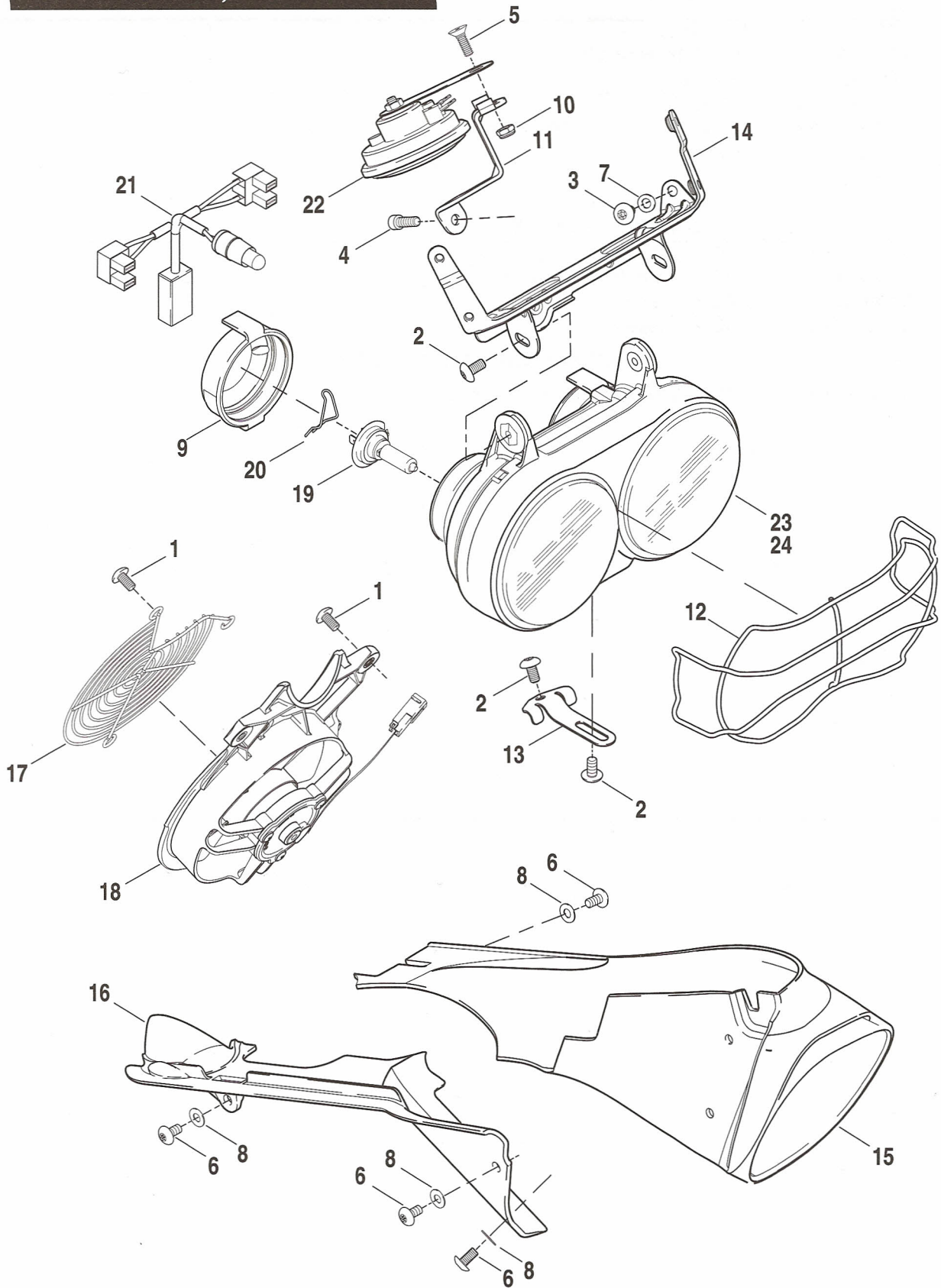
SX = 12S

WX = 12Scg

JX = 12Ss

XX = 12STT

# HEADLIGHTS, HORN & FAN



INDEX NO.	PART NO.	DESCRIPTION	MODEL(S)
	11604	RIVNUT, scoop fasteners (not illustrated)	ALL
1	AA0404.10CSS	SCREW (5)	ALL
2	AA0404.11CVB	SCREW (4)	ALL
3	AA0404.11CXVB	SCREW (2)	ALL
4	AA0406.2CZB	SCREW	ALL
5	AA0404.5CZB	SCREW	ALL
6	AA0406.11CVB	SCREW (6)	ALL
7	B0613.1Z	WASHER (2)	ALL
8	BA0409.6BL	WASHER (6)	ALL
9	C0051.1AD	BOOT, headlight (2)	ALL
	11604	NUT, rivet (not illustrated)	ALL
10	DA0400.8CZ	LOCKNUT	ALL
11	M0006.1AD	BRACKET, horn mount	ALL
12	M0023.1AJAYT	GRILLE, headlight	KX/XX
13	M0619.1AD	BRACKET, lower headlight mount	KX/SX/WX
	L0946.1AN	BRACKET, headlight support, lower (not illustrated)	JX
14	M0645.1ADA	BRACKET, headlight mount	ALL
15	M0902.02A8MBE	AIR SCOOP ASSEMBLY, ram (body black)	ALL
16	M0903.02A8A	ENGINE SCOOP ASSEMBLY, right	ALL
17	R0053.1ADB	SCREEN, cooling fan	ALL
18	Y0050.02A8A	FAN ASSEMBLY	ALL
19	Y0148.1AD	BULB, 55W (CAN, DOM, CAL) (2)	ALL
20	Y0149.1AD	HOLDER, bulb (2)	ALL
21	Y0150.1AD	WIRE HARNESS, headlight	ALL
22	Y0308.TA	HORN	ALL
23	Y0421.1ADA	HEADLIGHT ASSEMBLY, right hand traffic - complete w/ 9, 19, 20 & 21 (CANADA, DOMESTIC, CALIFORNIA)	ALL
<b>INTERNATIONAL MODELS ONLY</b>			
	53436-97	BULB, position (AUS, ENG, EUR, JAP) (not illustrated)	ALL
24	Y0422.1ADA	HEADLIGHT ASSEMBLY, right hand traffic - complete w/ 9, 19, 20, & 21 (EUR)	ALL
	Y0426.1ADA	HEADLIGHT ASSEMBLY, left hand traffic - complete w/ 9, 19, 20, & 21 (AUS, ENG, JAP)	ALL

## 2007 MODEL IDENTIFICATION CODES

KX = 9SX

SX = 12S

WX = 12Scg

JX = 12Ss

XX = 12STT





INDEX NO.	PART NO.	DESCRIPTION	MODEL(S)
1	53436-97	BULB, license plate illumination lamp	ALL
2	59259-90	REFLECTOR, red (3)	ALL
3	68169-90A	BULB, tail lamp	ALL
4	AA0404.10CSS	SCREW (3)	ALL
5	AN0808.14CSS	SCREW (2)	ALL
6	B0510.1Z	WASHER (2)	ALL
7	B0800.4Z	WASHER, turn signal mounting (4)	ALL
8	C0049.1AD	BOOT, tail lamp electrical tab protector	ALL
9	D0500.1CZ	JAM NUT (2)	ALL
10	D0800.4FZ	JAM NUT, jam (4)	ALL
11	DA0400.8CZ	LOCKNUT (3)	ALL
12	L0541.02A8	BRACKET, rear reflector	ALL
13	M0232.4A8YT	BRACKET, left, rear side reflector	JX/KX/SX/WX
14	M0232.1ASYT	BRACKET, left	XX
15	M0233.4A8YT	BRACKET, right, rear side reflector	ALL
16	M0233.1ASYT	BRACKET, right	JX/KX/SX/WX
17	M0613.1ADYT	BRACKET, license plate illumination/center tail section (designer black)	KX/XX
	M0613.1ADYBQ	BRACKET, license plate illumination/center tail section (magnesium tone)	JX/SX/WX
18	M0649.01A3	GROMMET (2)	ALL
19	M0673.K	STAND OFF, front left & right turn signal (2)	ALL
20	M1053.1AC	TAIL SCREEN KIT, license plate bracket w/ graphic decal	SX/WX
	M1053.1AJZBZ	TAIL SCREEN KIT, license plate bracket w/ graphic decal (blue)	KX
	M1053.2AJ	TAIL SCREEN KIT, license plate bracket w/ graphic decal (clear)	KX
	M1053.1AN	TAIL SCREEN KIT, license plate bracket w/ graphic decal	JX
21	M1053.1ASZT	TAIL SCREEN KIT, license plate bracket w/ graphic decal	XX
22	Y0039.K	LENS, outer turn signal (4)	ALL
23	Y0040.K	LENS, inner turn signal (4)	ALL
24	Y0041.K	SCREW, turn signal lens (4)	ALL
25	Y0042.K	BULB, turn signal (4)	ALL
26	Y0043.02A8	LENS, tail lamp	ALL
27	Y0401.1AD	TAIL LAMP, w/ lens & 68169-90A	ALL
28	Y0503.02A8	TURN SIGNAL, right rear w/ 21, 22, 23, 24	ALL
29	Y0503.K	TURN SIGNAL, left front w/ 21, 22, 23, 24	ALL
30	Y0504.02A8	TURN SIGNAL, left rear w/ 21, 22, 23, 24	ALL
31	Y0504.K	TURN SIGNAL, right front w/ 21, 22, 23, 24	ALL
32	Y0514.CA	LAMP, license plate illumination w/ 53436-97	ALL

## 2007 MODEL IDENTIFICATION CODES

KX = 9SX

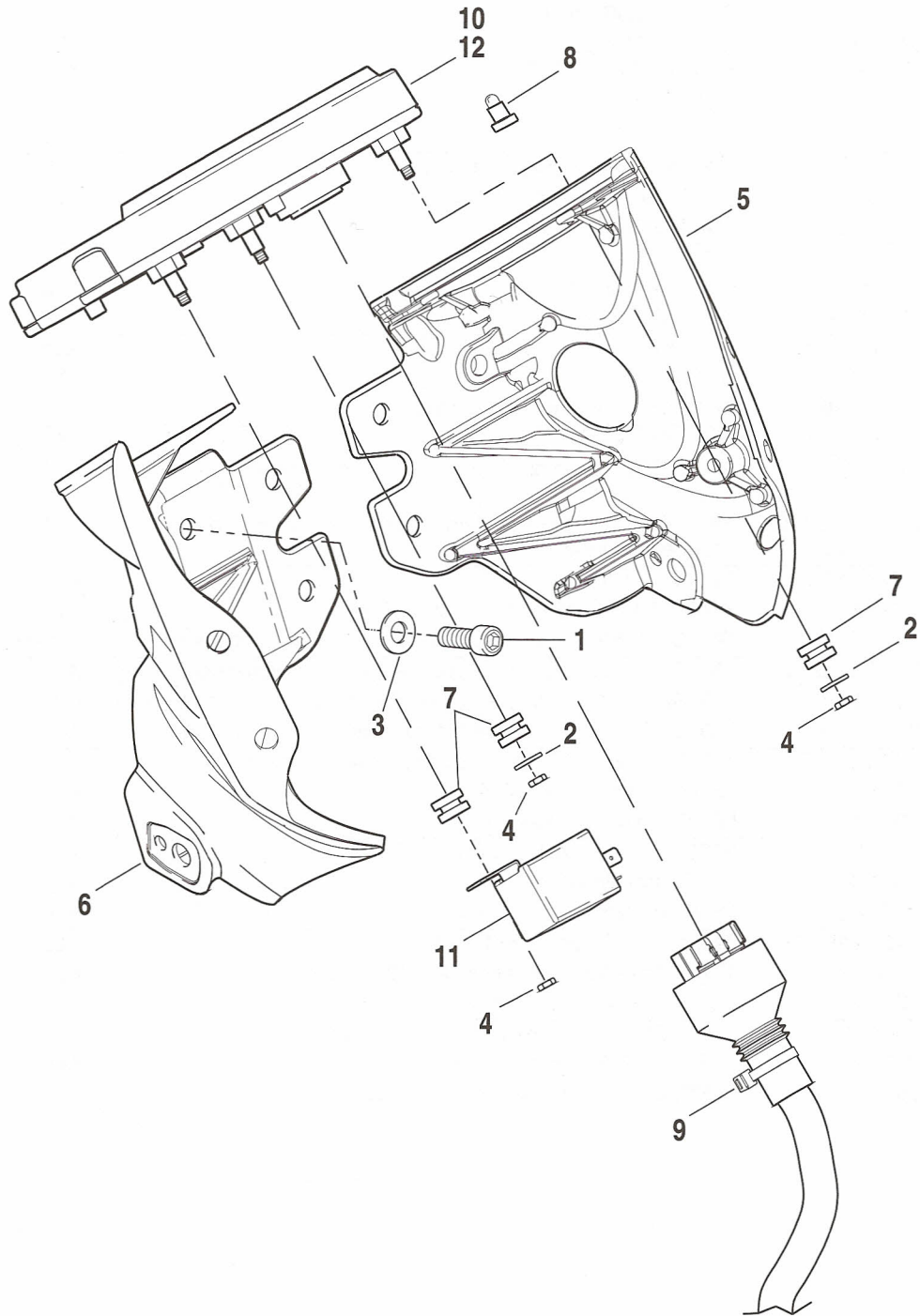
SX = 12S

WX = 12Scg

JX = 12Ss

XX = 12STT

# INSTRUMENT CLUSTER



INDEX NO.	PART NO.	DESCRIPTION	MODEL(S)
1	AA0507.2CZB	SCREW	ALL
2	B0510.1Z	WASHER (2)	ALL
3	BA0511.2Z	WASHER (1)	ALL
4	D0500.1CZ	JAM NUT (3)	ALL
5	M0642.1ADYT	FRONT MODULE, left (designer black)	KX/XX
	M0642.1ADYBQ	FRONT MODULE, left (magnesium tone)	JX/SX/WX
6	M0643.1ADYT	FRONT MODULE, right (designer black)	KX/XX
	M0643.1ADYBQ	FRONT MODULE, right (magnesium tone)	JX/SX/WX
7	M0649.01A3	GROMMET (3)	ALL
8	Y0162.02A8	BULB, instrument cluster, backlight	ALL
	Y0163.02A8	BULB, instrument cluster, warning lights	ALL
9	Y0303.2B	CABLE STRAP	ALL
10	Y0500.3AC	INSTRUMENT CLUSTER, mph (DOMESTIC, ENGLAND)	JX/SX/WX/XX
	Y0500.2AJ	INSTRUMENT CLUSTER, mph (DOMESTIC, ENGLAND)	KX
11	Y0621.MA	FLASHER, turn signal	ALL

## INTERNATIONAL MODELS ONLY

12	Y0501.3AC	INSTRUMENT CLUSTER, kph (AUSTRALIA, CANADA, EUROPE, JAPAN)	JX/SX/WX/XX
	Y0501.2AJ	INSTRUMENT CLUSTER, kph (AUSTRALIA, CANADA, EUROPE, JAPAN)	KX

## 2007 MODEL IDENTIFICATION CODES

KX = 9SX

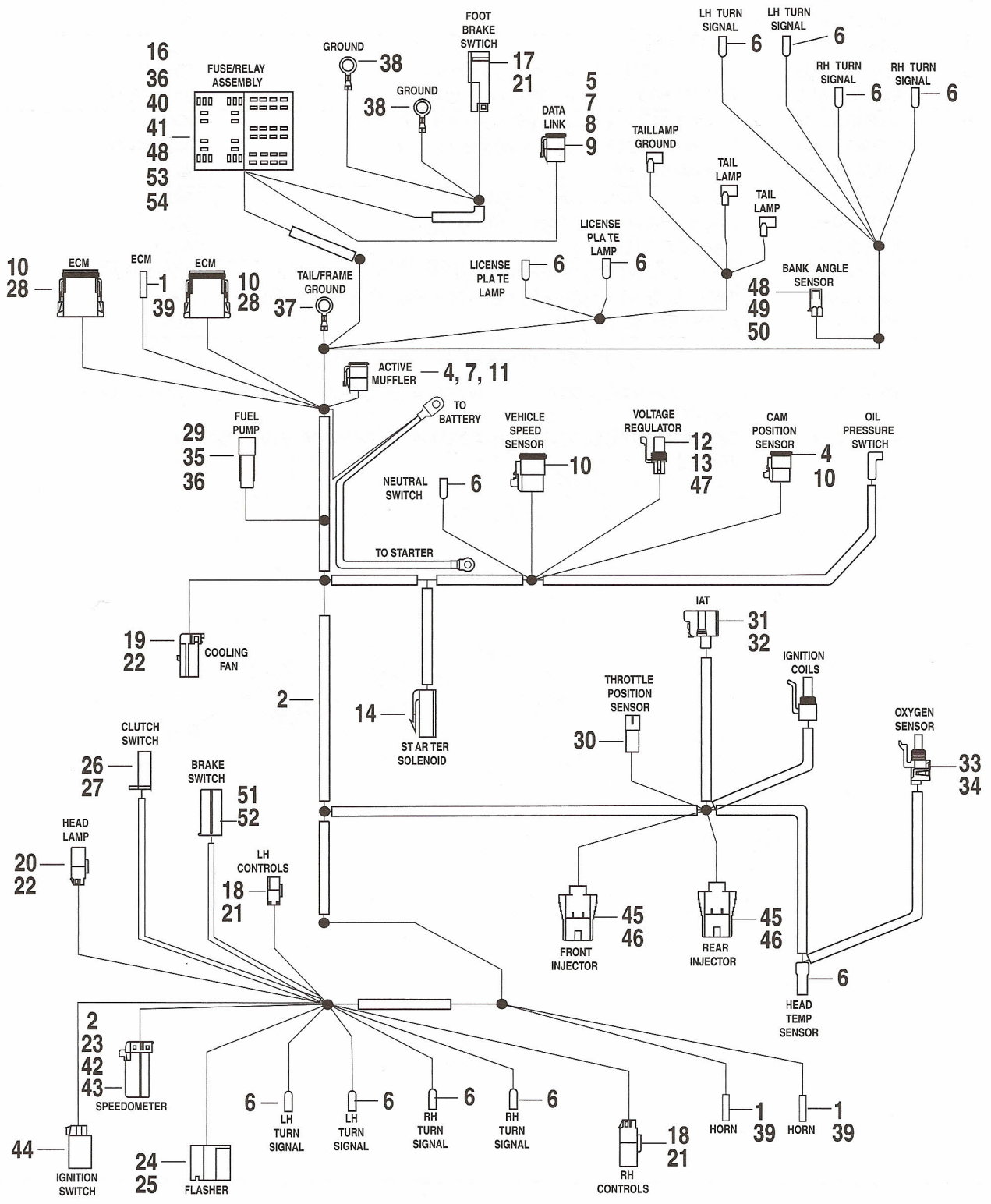
SX = 12S

WX = 12Scg

JX = 12Ss

XX = 12STT

# MAIN WIRE HARNESS



INDEX NO.	PART NO.	DESCRIPTION	MODEL(S)
	Y0136.1ACA	MAIN WIRE HARNESS	ALL
<b>NOTE: Includes the following parts.</b>			
1	9839	TERMINAL, insulated (3)	ALL
	9898	TERMINAL, flag, black, amp (not illustrated) (3)	ALL
2	10065	CABLE STRAP (2)	ALL
	72033-93	TERMINAL (not illustrated) (3)	ALL
	72064-06	HOUSING, 3-way female (not illustrated) (3)	ALL
	72094-06	TERMINAL, female (18 gauge) (not illustrated) (3)	ALL
3	72103-94BK	CONNECTOR (black)	ALL
4	72113-94BK	CONNECTOR, sealed (black)	ALL
	72119-94BK	CONNECTOR, 12-pin (black) (not illustrated)	ALL
5	72124-94GY	CONNECTOR (gray)	ALL
	72133-94GY	CONNECTOR, 3-pin (grey) (not illustrated)	ALL
	72139-94GY	CONNECTOR, 12-pin (grey) (not illustrated)	ALL
6	72064-94Y	TERMINAL	ALL
7	72144-94	SPACER	ALL
	72153-94	SPACER, cam position sensor (not illustrated) (2)	ALL
	72159-94	SPACER (not illustrated) (2)	ALL
	72163-94	PLUG, 3-way, active exhaust (not illustrated)	ALL
8	72164-94	SEAL, connector	ALL
	72173-94	SEAL, connector, cam position sensor (not illustrated) (2)	ALL
	72179-94	SEAL, ECM (not illustrated)	ALL
9	72190-94	TERMINAL (2)	ALL
10	72191-94	TERMINAL (6)	ALL
11	72192-98	TERMINAL	ALL
12	72234-94	CONNECTOR ASSEMBLY, w/ seal (black)	ALL
13	72238-94	TPA, black (2)	ALL
14	72291-94	TERMINAL, female spade (14-16 gauge)	ALL
15	72295-94	HOUSING, starter connector	ALL
16	72462-00	FUSE, 10 amp (5)	ALL
17	73102-96BK	CONNECTOR (black)	ALL
18	73104-96BK	CONNECTOR (black)	ALL
	73108-96BK	CONNECTOR, 8-pin (not illustrated)	ALL
19	73152-96BK	CONNECTOR (black)	ALL
20	73154-96WE	CONNECTOR (white)	ALL
21	73190-96	TERMINAL (23)	ALL
22	73191-96	TERMINAL (7)	ALL
23	Y0021.02A8	BOOT, instrument cluster harness	ALL
	Y1202.1AD	BRACKET, fuse/relay (not illustrated)	ALL
24	Y0045.02A8	CONNECTOR	ALL
25	Y0046.02A8	TERMINAL	ALL
26	Y0053.02A8	CONNECTOR, 2-pin (black)	ALL
27	Y0054.02A8	TERMINAL (2)	ALL
28	Y0056.02A8	TERMINAL (14 gauge) (3)	ALL
29	Y0060.02A8	CONNECTOR, fuel pump	ALL
30	Y0061.02A8	CONNECTOR, 3-pin (black)	ALL
31	Y0066.02A8	CONNECTOR, 2-pin w/ seal (black)	ALL
32	Y0067.02A8	TERMINAL (2)	ALL
33	Y0071.02A8	CONNECTOR, single w/ seal (black)	ALL
34	Y0072.02A8	TERMINAL	ALL
35	Y0076.02A8	SECONDARY LOCK	ALL

## 2007 MODEL IDENTIFICATION CODES

KX = 9SX

SX = 12S

WX = 12Scg

JX = 12Ss

XX = 12STT



INDEX NO.	PART NO.	DESCRIPTION	MODEL(S)
	Y0136.1ACA	MAIN WIRE HARNESS	ALL
<b>NOTE: Includes the following parts.</b>			
36	Y0077.02A8	PINS (4)	ALL
37	Y0081.02A8	TERMINAL, eye	ALL
38	Y0082.02A8	TERMINAL	ALL
39	Y0085.02A8	CONNECTOR	ALL
40	Y0091.02A8	TERMINAL	ALL
41	Y0092.02A8	TERMINAL	ALL
42	Y0095.02A8	CONNECTOR (black)	ALL
43	Y0096.02A8	TERMINAL, socket (12)	ALL
44	Y0097.02A8	CONNECTOR, w/ seal (black)	ALL
45	Y0119.02A8	CONNECTOR, injector w/ seal (2)	ALL
46	Y0120.02A8	TERMINAL (4)	ALL
47	Y0126.02A8	TERMINAL & SEAL SET, voltage regulator (not part of wiring harness) (4)	ALL
48	Y0129.02A8	CONNECTOR	ALL
49	Y0130.02A8	TERMINAL, socket (3)	ALL
	Y0131.02A8	SEAL, bank angle sensor (not illustrated)	ALL
50	Y0132.02A8	PLUG (black) (3)	ALL
51	Y0133.02A8	CONNECTOR, 2-pin (black)	ALL
52	Y0134.02A8	TERMINAL, socket (2)	ALL
53	Y0011.K	FUSE, 15 amp	ALL
54	Y0211.K	FUSE & DIODE ASSEMBLY	ALL

## 2007 MODEL IDENTIFICATION CODES

KX = 9SX

SX = 12S

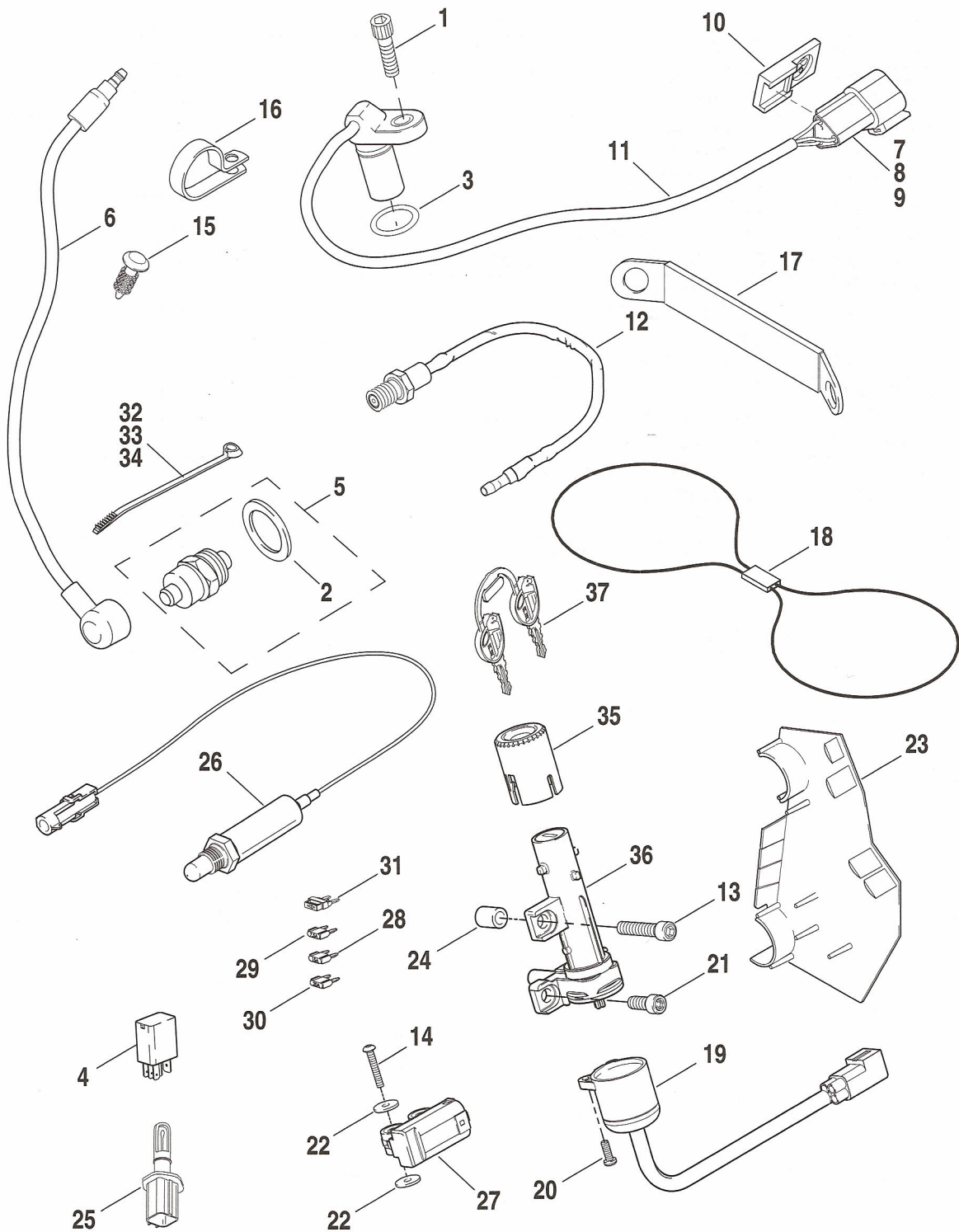
WX = 12Scg

JX = 12Ss

XX = 12STT



# SWITCHES, SENSORS & ELECTRICAL CONNECTORS



INDEX NO.	PART NO.	DESCRIPTION	MODEL(S)
1	3594	SCREW	ALL
2	6288	WASHER	ALL
3	11140	O-RING	ALL
4	31522-00C	RELAY, start ignition	ALL
5	33900-99	SWITCH, neutral indicator w/ 6288	ALL
6	70227-99	JUMPER, neutral indicator	ALL
7	72143-94	SECONDARY LOCK, 3-way receptacle	ALL
8	72163-94GY	RECEPTACLE, 3-way plug	ALL
9	72190-94	TERMINAL, pin (3)	ALL
10	72199-94	ATTACHMENT CLIP	ALL
11	74431-01B	SENSOR, vehicle speed	ALL
12	32564-99YB	SENSOR, engine temperature	ALL
13	AA0512.2CZB	BOLT	ALL
	AA0636.2CZ	SCREW, shipping hole (not illustrated)	ALL
14	AN0808.3CBBL	SCREW (2)	ALL
	BA0613.2Z	WASHER, shipping hole (not illustrated)	ALL
15	C0033.02A8	FASTENERS, tree, plastic (black) (7)	ALL
16	C0037.02A8	STRAP, rear wire harness mount	ALL
17	C0045.02A8	STRAP, rear wire harness mount	ALL
18	C0123.1AA	CABLE, security	ALL
19	C0152.1AD	BODY, electrical, ignition switch	ALL
	C2000.1AK	POUCH, tool kit (not illustrated)	ALL
	C2024.1AS	TOOL KIT, w/ C0123.1AA, C2000.1AK, C2039.02A8, C2040.02A8 & C2041.02A8A, C2042.1AS, C2043.1AS, C2044.1AK, C2045.1AK (not illustrated)	ALL
	C2039.02A8	WRENCH, allen T27 (not illustrated)	ALL
	C2040.02A8	WRENCH, hex, axle 7/8 in. (not illustrated)	ALL
	C2041.02A8A	SCREW DRIVER, 2 in 1 (not illustrated)	ALL
	C2042.1AS	WRENCH, 5/8, 19MM, 22M (not illustrated)	ALL
	C2043.1AS	COMBO SHOCK SPANNER (not illustrated)	ALL
	C2044.1AK	DRIVER, nut, 8mm (not illustrated)	ALL
	C2045.1AK	KEY, hex, 5mm (not illustrated)	ALL
20	CA0007.T	SCREW (2)	ALL
21	CA0016.02A8	SCREW (2)	ALL
22	CB0008.02A8	WASHER (4)	ALL
	DA0600.11CZ	LOCKNUT, shipping hole (not illustrated)	ALL
23	M0072.02A8	WIRE GUARD, routing	ALL
24	N0599.02A8A	SLEEVE, shifter/brake lever	ALL
25	P0138.K	SENSOR, air intake	ALL
26	S0130.02A8	SENSOR, oxygen	ALL
27	S0131.02A8	SENSOR, bank angle	ALL
28	Y0011.K	FUSE, 15A	ALL
29	72462-00	FUSE, 10A (5)	ALL
30	Y0023.1AD	FUSE, 30A	ALL
	Y0160.1AC	TOP COVER, w/ label, fuse block (not illustrated)	ALL
31	Y0211.K	FUSE & DIODE ASSEMBLY (2)	ALL
32	Y0301.CB	CABLE STRAP, ignition switch (black)	ALL
33	Y0303.2B	CABLE STRAP (26)	ALL
34	Y0305.CW	CABLE STRAP	ALL
	Y0349.02A8	CONDUIT ASSEMBLY, main harness (not illustrated)	ALL
	Y0602.1AD	COMPLETE VEHICLE LOCK SET, w/ seat, ignition, fuel cap & key set (CAN, CAL, DOM, ENG, EUR, JAP) (not illustrated)	ALL
35	Y0723.T	HOUSING, ignition switch	ALL
36	Y0724.1AD	IGNITION ASSEMBLY, w/ switch, body, housing, screw & key	ALL
37	Y0732.T	KEY SET, ignition (specify four - digit key code)	ALL

## 2007 MODEL IDENTIFICATION CODES

KX = 9SX

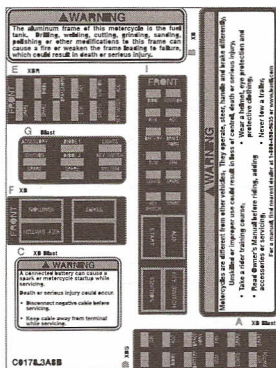
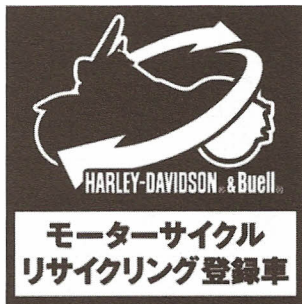
SX = 12S

WX = 12Scg

JX = 12Ss

XX = 12STT

# LABELS



**VEHICLE EMISSION CONTROL INFORMATION:**  
 ENGINE DISPLACEMENT: 1203 cc  
 ENGINE FAMILY: 6BLXC01.2XB1  
 THIS VEHICLE CONFORMS TO U.S. EPA AND CALIFORNIA REGULATIONS APPLICABLE TO 2006 MODEL YEAR NEW MOTORCYCLES AND IS CERTIFIED TO 1.4 HC/NOX GEM ENGINE FAMILY EXHAUST EMISSION STANDARD IN CALIFORNIA. ENGINE EXHAUST CONTROL SYSTEM: MFI

**ENGINE TUNE UP SPECIFICATIONS:**  
 IGNITION TIMING: TIMING MARK CENTERED IN PORT AND CAM SENSOR ACTUATED.  
 FAST IDLE: 1050-1150 RPM  
 FUEL: UNLEADED GASOLINE 91 PUMP OCTANE OR HIGHER.  
 OIL: SEE OWNERS MANUAL

**Buell MOTORCYCLE COMPANY**  
 THIS 2006 BLX42A1203 MOTORCYCLE, S0110.1A, MEETS U.S. EPA NOISE EMISSION REQUIREMENTS OF 80 dBA AT 3,410 RPM BY THE FEDERAL TEST PROCEDURE. MODIFICATIONS WHICH CAUSE THIS MOTORCYCLE TO EXCEED FEDERAL NOISE STANDARDS ARE PROHIBITED BY FEDERAL LAW. SEE OWNER'S MANUAL.

C0264.3AA

**VEHICLE EMISSION CONTROL INFORMATION:**  
 ENGINE DISPLACEMENT: 1203cc  
 ENGINE FAMILY: 6BLXC01.2XB1  
 THIS VEHICLE CONFORMS TO U.S. EPA REGULATIONS APPLICABLE TO 2006 MODEL YEAR NEW MOTORCYCLES.

**ENGINE TUNE UP SPECIFICATIONS:**  
 IGNITION TIMING: TIMING MARK CENTERED IN PORT AND CAM SENSOR ACTUATED.  
 SLOW IDLE: 1050-1150 RPM  
 FUEL: UNLEADED GASOLINE 91 PUMP OCTANE OR HIGHER.  
 OIL: SEE OWNERS MANUAL

**Buell MOTORCYCLE COMPANY**

THIS 2006 BLX42A1203 MOTORCYCLE, S0110.1A, MEETS U.S. EPA NOISE EMISSION REQUIREMENTS OF 80 dBA AT 3,410 RPM BY THE FEDERAL TEST PROCEDURE. MODIFICATIONS WHICH CAUSE THIS MOTORCYCLE TO EXCEED FEDERAL NOISE STANDARDS ARE PROHIBITED BY FEDERAL LAW. SEE OWNER'S MANUAL.

C0265.3AA

**RENSEIGNEMENTS SUR LE CONTRÔLE DES GAZ ÉMIS PAR LE VÉHICULE CYLINDRÉE:** 1203CC  
**FAMILLE DU MOTEUR:** 6BLXC01.2XB1  
 CE VÉHICULE EST CONFORMÉ AUX RÉGLEMENTS DE L'USEPA APPLICABLES AUX MOTOCYCLETES NEUVES DE L'ANNÉE MODÈLE 2006  
**SYSTÈME DE CONTRÔLE DES GAZ D'ÉCHAPPEMENT DU MOTEUR:**  
 MODIFICATIONS EFFECTUÉES AU MOTEUR  
 SPECIFICATIONS AVANT TRAIT À LA MISE AU POINT DU MOTEUR:  
 VITESSE DE RALENTI LENTE: 1050-1150 TR/MIN  
 CALAGE DE L'ALLUMAGE: RÉPÈRE DE DISTRIBUTION CENTRÉ DANS L'ORIFICE ET CAPTEUR D'ARBRE À CAME EN MARCHE.  
 CARBURANT: SANS PLOMB SEULEMENT  
 MINIMUM INDIQUÉ À LA POMPE: 91  
 HUILE: SE RÉFÉRER AU MANUEL DU PROPRIÉTAIRE

**Buell**  
 C0266.3AA

**STATIONARY NOISE TEST INFORMATION**  
**TESTED 96.9 dB(A) AT 3700 RPM**  
**SILENCING SYSTEM: BUELL MOTORCYCLE CO.**  
**IDENTIFICATION: BMI 3-3**  
 IN ACCORDANCE WITH AUSTRALIAN ADR 83/00

**WARNING**

Motorcycles are different from other vehicles. They operate, steer, handle and brake differently. Unskilled or improper use could result in loss of control, death or serious injury.

- Take a rider training course.
- Wear a helmet, eye protection and protective clothing.
- Read Owner's Manual before riding, adding accessories or servicing.
- Never tow a trailer.

To be removed by customer only.

C0323.5A8

This spark ignition system meets all requirements of the Canadian Interference-Causing Equipment Regulations.  
 Ce système d'allumage par étincelle satisfait à toutes les exigences du Règlement sur le matériel brouilleur du Canada.

1 - N - 2 - 3 - 4 - 5

**Battery**

**非液漏れタイプ**  
 充電液の密閉型バッテリーです。絶対にこのラベルを剥がさないで下さい。  
 充電の際は、予めオーナーズ・マニュアルをご参照下さい。  
 本ラベルに示された日付から12か月以上経過後は、6-10Aで1時間以上充電を行って下さい。(日付はバッテリー前面に表示されています)

**危険/毒物**

ゴキブリなど害虫を寄せつけないでください。  
 可燃性のガスにより、炎、火花の恐れがあります。

火気厳禁  
 火花、炎を近づけないで下さい。

破損により、失明や火傷の恐れがあります。

すぐに目や水を洗浄してください。  
 眼薬の塗布を避けてください。

お子様の手の届かないところに保管してください。バッテリーの蓋を開けずにください。

**警告**

安全のため、乗車、修理、アクセサリー装着の前には「オーナーズ・マニュアル」をお読み下さい。フレームのラベルに記載された積載重量の超過、承認されていないアクセサリーの取付け、またはサイドスタンドの誤しな取付けは、走行安定性を失ったり、損壊となる恐れがあります。またオーナーズ・マニュアルに記載された「警告」や「注意」に従わない場合は、死亡事故や重大な怪我をもたらす恐れがあります。「オーナーズ・マニュアル」は最寄りのビュエル契約正規販売店でお求め頂けます。



INDEX NO.	PART NO.	DESCRIPTION	MODEL(S)
1	C0178.3A8B	LABEL, warning & fuse/relay	ALL
2	C0264.2AN	LABEL, EPA (CALIFORNIA)	JX
	C0264.3AJ	LABEL, EPA (CALIFORNIA)	KX
	C0264.4AC	LABEL, EPA (CALIFORNIA)	SX/WX
	C0264.1AS	LABEL, EPA (CALIFORNIA)	XX
3	C0265.2AN	LABEL, EPA (DOMESTIC)	JX
	C0265.3AJ	LABEL, EPA (DOMESTIC)	KX
	C0265.4AC	LABEL, EPA (DOMESTIC)	SX/WX
	C0265.1AS	LABEL, EPA (DOMESTIC)	XX
4	C0266.4AA	LABEL, EPA (CANADA)	JX/SX/WX/XX
	C0266.5A8	LABEL, EPA (CANADA)	KX
5	C0320.1AJA	LABEL, mirror, LH	KX/SX/WX
6	C0323.5A8	LABEL, mirror, RH	ALL
7	L1013.1AA	LABEL, EMC (CANADA)	JX/SX/WX
	L1013.02A8	LABEL, EMC (CANADA)	KX
<b>INTERNATIONAL MODELS ONLY</b>			
8	14270-92	LABEL, shift pattern (JAPAN)	ALL
9	C0317.2A8A	LABEL, noise (AUSTRALIA)	KX
	C0317.1AAA	LABEL, noise (AUSTRALIA)	JX/SX/WX
10	C0318.KA	LABEL, warning a/c (JAPAN)	ALL
11	C0332.5A8	LABEL, recycle (JAPAN)	ALL
12	Y0115.02A8	LABEL, battery warning (JAPAN)	ALL

## 2007 MODEL IDENTIFICATION CODES

KX = 9SX

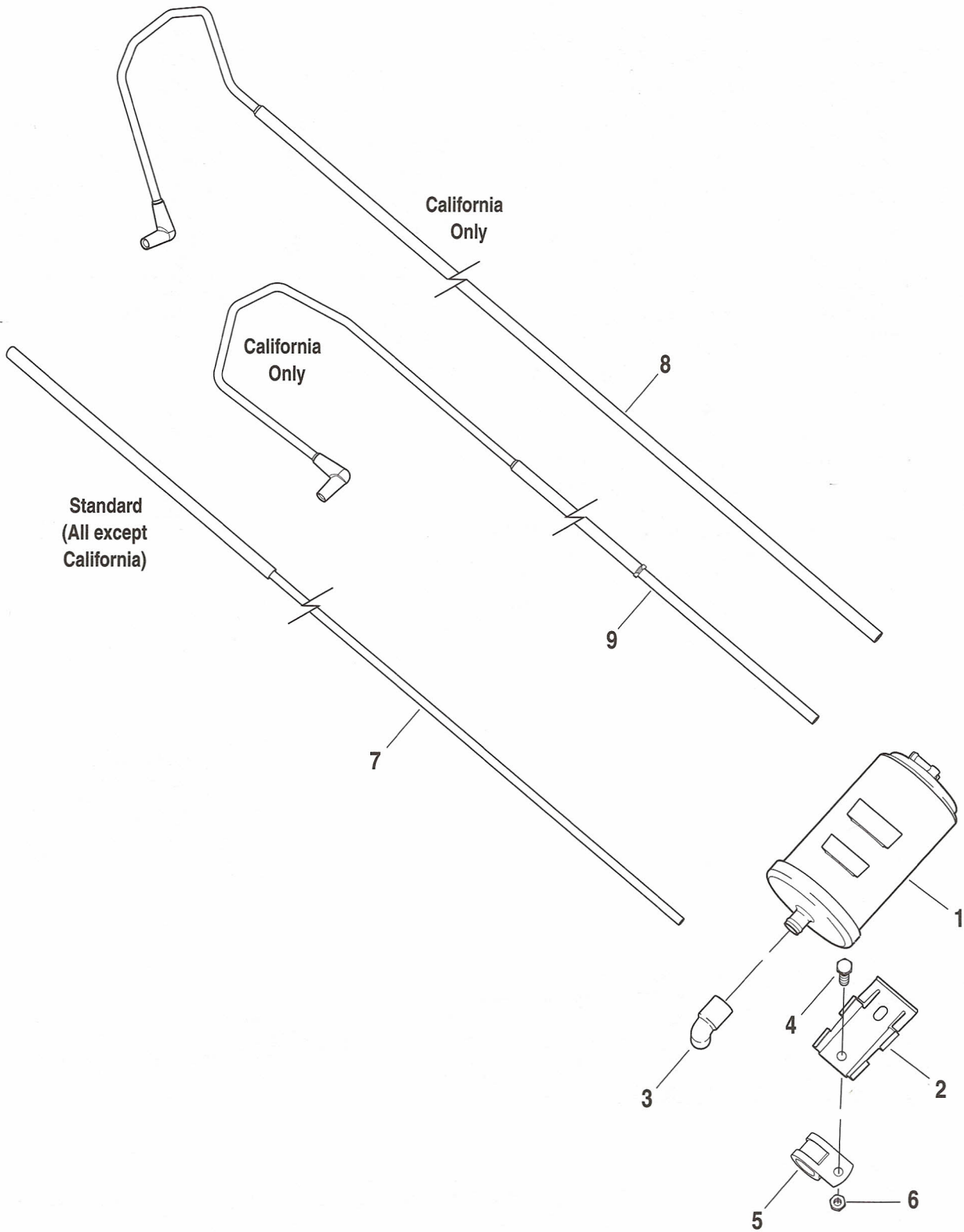
SX = 12S

WX = 12Scg

JX = 12Ss

XX = 12STT

# CALIFORNIA EVAPORATIVE EMISSIONS COMPONENTS



## CALIFORNIA EVAPORATIVE EMISSIONS COMPONENTS

INDEX NO.	PART NO.	DESCRIPTION	MODEL(S)
<b>NOTE: These parts are required for motorcycles sold in the state of California.</b>			
	27016-00	HOSE, reducer (not illustrated)	ALL
1	27042-84A	CARBON CANISTER	ALL
2	27047-84B	PLATE, mounting	ALL
3	29312-95	CONNECTOR, elbow	ALL
4	AA0403.1CAZ	SCREW (2)	ALL
5	C0529.M	CLAMP (2)	ALL
6	DA0400.3CZ	LOCKNUT (2)	ALL
7	HS0020.02A8A	HOSE ASSEMBLY, standard (all except CALIFORNIA)	ALL
8	HS0021.1ADA	HOSE ASSEMBLY, fuel vent w/ reducer (CALIFORNIA ONLY)	ALL
9	HS0025.1ADA	HOSE ASSEMBLY, carb-to-California canister (CALIFORNIA ONLY)	ALL

## 2007 MODEL IDENTIFICATION CODES

KX = 9SX

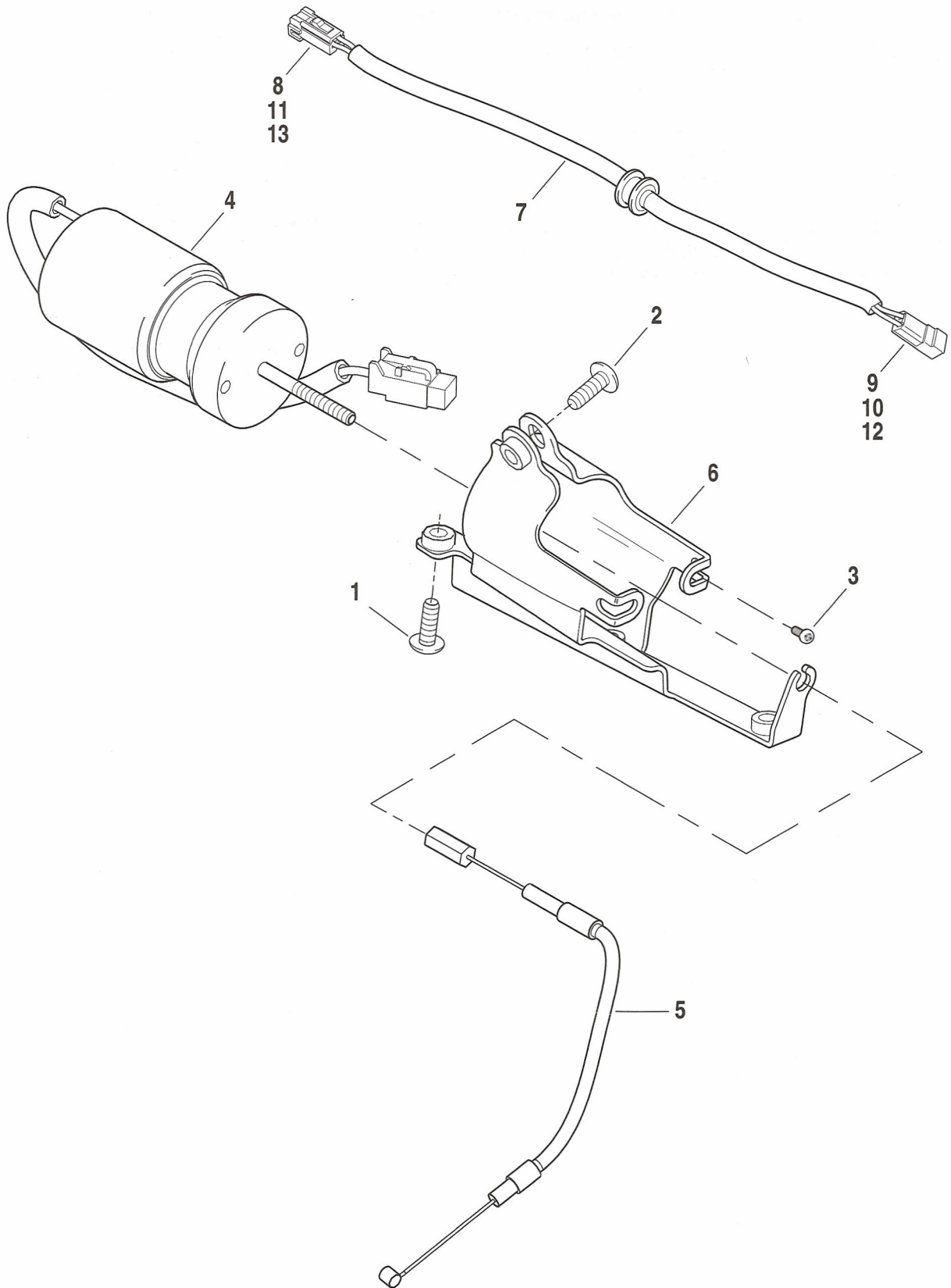
SX = 12S

WX = 12Scg

JX = 12Ss

XX = 12STT

# JAPAN EMISSIONS COMPONENTS



INDEX NO.	PART NO.	DESCRIPTION	MODEL(S)
<b>NOTE: These parts are only used on motorcycles sold in Japan.</b>			
1	AA0404.11CXVB	SCREW (3)	ALL
2	AA0406.11CXVB	SCREW	ALL
3	AN1005.3CBBL	SCREW (2)	ALL
4	P0046.2AC	SOLENOID ASSEMBLY	ALL
5	P0047.2AC	SOLENOID CABLE	ALL
6	P0353.2AC	BRACKET, solenoid mounting	ALL
7	Y0460.2ACA	SUB-HARNESS, active intake	ALL
8	74102-98BK	HOUSING, pin, 2-way (black)	ALL
9	74112-98BK	HOUSING, socket, 2-way (black)	ALL
10	74142-98	PIN LOCK, 2-way	ALL
11	74152-98	SOCKET LOCK, 2-way	ALL
12	74192-98	PIN, terminal	ALL
13	74193-98	SOCKET, terminal	ALL

## 2007 MODEL IDENTIFICATION CODES

KX = 9SX

SX = 12S

WX = 12Scg

JX = 12Ss

XX = 12STT



## HARDWARE LIST

PART NO.	DESCRIPTION	PART NO.	DESCRIPTION
1028	SCREW, 5/16-18 X 2-1/2 SEMS socket hd., w/lockpatch	8973	WASHER, 1-1/4 X 1-53/64 X 9/64
1039	SCREW, 5/16-18 X 2-1/2 hex flange hd. (Grade 8)	928	BOLT, M5 X 0.8 X 35.2 hex hd.
1044	SCREW, No. 4-40 X 1/4 socket hd.	929A	SCREW, M4 X 0.7 X 11.8 flange hd.
1601	SCREW, No. 8-32 X 1/2 Pozidriv flat countersink hd. (Grade 2)	943	SCREW, 1/4-20 X 5/8 socket button hd.
2445	SCREW, 1/4-20 X 9/16 button hd.	A0516.8CXDBL	SCREW, M5 X 16 truss hd. (black)
2611C	BOLT, No. 10-32 X 3/4 hex hd., w/washer (Grade 5)	A0525.2CBL	SCREW, M5 X 25mm socket hd.
3029	SCREW, No. 10-24 X 1 TORX hd., w/adhesive	A0540.2CBL	SCREW, M5 X 40mm socket hd.
31689-90	BOLT, M4 X 0.7 X 12 hex hd.	A0620.2CZB	BOLT, M6 X 1 X 20 socket hd. (clear zinc)
3275	SCREW, 5/16-18 X 3/4 socket hd. (Grade 8)	A0620.5CZB	SCREW, M6-1 X 20 flat countersink hd. (Grade 12) (clear zinc)
3403	LOCKNUT, M8-1.25 X 12mm flange (zinc)	A0622.21CBL	SCREW, M6-1.25 X 22mm hex flange hd. (black chromate)
3480A	SCREW, 1/4-20 X 1-3/4 knurled hd. (Grade 8)	A1065.2CZB	SCREW, M10 X 65 socket hd. (Grade 12) (clear zinc)
3594	SCREW, 1/4-20 X 5/8 knurled hd. (Grade 8)	AA0403.1CAZ	SCREW, 1/4-20 X 3/8 hex hd.
3849	SCREW, 1/4-20 X 1-1/4 SEMS hex hd. (Grade 8)	AA0404.10CSS	SCREW, 1/4-20 X 1/2 TORX button hd. (stainless)
3987	BOLT, 5/16-18 X 3/4 hex hd. (Grade 5)	AA0404.11CVB	SCREW, 1/4-20 X 1/2 TORX truss hd. (black olive)
3997A	BOLT, 1/4-20 X 1-1/4 socket hd., w/sealant (zinc)	AA0404.11CXVB	SCREW, 1/4-20 X 1/2 TORX truss hd., w/Scotch grip (black olive)
4091	SCREW, No. 10-24 X 1/2 hex hd., w/washer, self-tapping (zinc)	AA0404.5CZB	SCREW, 1/4-20 X 1/2 socket flat hd. (Grade 8)
4132	SCREW, 1/4-20 X 1-1/8 TORX button hd. (Grade 5) (black)	AA0405.2CXZB	SCREW, 1/4-20 X 5/8 socket hd., w/Scotch grip (zinc)
4312B	SCREW, M6 X 1.0 X 14mm, SEMS flange hd. (stainless)	AA0406.11CVB	SCREW, 1/4-20 X 3/4 TORX truss hd.
4413	SCREW, 3/8-24 X 5-1/2 hex hd. (Grade 5)	AA0406.11CXVB	SCREW, 1/4-20 X 3/4 TORX truss hd., w/Scotch rip (black olive)
4718A	SCREW, 1/4-20 X 1-1/2 knurled hd., w/lockpatch	AA0406.21CZB	SCREW, 1/4-20 X 3/4 hex flange hd. (bright zinc)
4748	SCREW, 3/8-16 X 1-1/8 socket hd. (Grade 8)	AA0406.2CXZB	SCREW, 1/4-20 X 3/4 socket hd., w/lockpatch (zinc)
4751	BOLT, 1/4-20 X 3/4 hex hd., w/lockpatch (Grade 8) (zinc)	AA0406.2CZB	SCREW, 1/4-20 X 3/4 socket hd. (zinc)
4765	SCREW, 1/4-20 X 2-5/8 SEMS socket hd., w/lockpatch (Grade 8) (zinc)	AA0409.5CZB	SCREW, 1/4-20 X 1 self-tapping w/ultraseal
4820A	SCREW, 1/4-20 X 2 socket hd.	AA0412.11CXVB	SCREW, 1/4-20 X 1.5 TORX truss hd., w/Scotch grip (Grade 2) (black chromate)
4824	SCREW, 1/4-20 X 2 SEMS socket hd.	AA0507.2CZB	SCREW, 5/16-18 X 7/8 socket hd. (bright zinc)
6003	WASHER, 1-3/16 X 1-3/8 X 11/16	AA0508.2CXZB	SCREW, 5/16-18 X 1.0 socket hd., w/Scotch grip (bright zinc)
6019	WASHER, 3/8 X 29/32 X 1/16	AA0508.2CZB	BOLT, 5/16-18 1 socket hd. (bright zinc)
6157	WASHER, 27/64 X 5/8 X 1/64 heat treated	AA0512.2CZB	BOLT, 5/16-18 X 1-1/2 socket hd. (Grade 8)
6288	WASHER, 17/32 X 25/32 X 1/32	AA0518.2CZB	SCREW, 5/16-18 X 2-1/4 socket hd.
6314W	WASHER, 21/64 X 9/16 X 1/8 (zinc)	AA0520.2CXZB	SCREW, 5/16-18 X 2-1/2 socket hd., w/Scotch grip (bright zinc)
6400HB	WASHER, 5/16 X 13/16 X 3/32	AA0522.2CZB	SCREW, 5/16-18 X 2-3/4 socket hd. (bright zinc)
6787	WASHER, 7/16 X 13/16 X 5/64 flat	AA0608.2CXZB	SCREW, 3/8-16 X 1.0 socket hd. (bright zinc)
7080	WASHER, 9/16 X 3/4 X 1/4	AA0608.2CZB	SCREW, 3/8-16 X 1.0 socket hd. (zinc)
7804	LOCKNUT, 1/2-13 X 15/32 X 7/8 self-sealing	AA0609.11CXZB	SCREW, 3/8-16 X 1-1/8 TORX truss hd., w/Scotch grip (bright zinc)
7839	NUT, 3/4-16 X 21/32 flange (Grade 2)	AA0615.2CZB	SCREW, 3/8-16 X 1-7/8 socket hd. (bright zinc)
7916A	JAM NUT, 5/8-18	AA0620.2CZB	SCREW, 3/8-16 X 2.5 socket hd. (bright zinc)
879A	SCREW, 5/16-18 X 3-1/2 knurled hd. (Grade 8)	AA0624.1CZB	SCREW, 3/8-16 X 3 hex hd. (bright zinc)
882	SCREW, 1/4-20 X 7/8 knurled hd., w/washer (Grade 8)	AA0634.2CZB	SCREW, 3/8-16 X 4-1/4 socket hd. (zinc)

## HARDWARE LIST

PART NO.	DESCRIPTION	PART NO.	DESCRIPTION
AA0636.2CZ	SCREW, 3/8-16 X 4-1/2 socket hd. (zinc)	B0800.4Z	WASHER, 8mm star (zinc)
AA0712.2CZB	SCREW, 7/16-14 X 1-1/2 socket hd. (bright zinc)	BA0308.1BL	WASHER, 3/16 X 1/2 flat (black)
AN0805.5CSS	SCREW, 8-32 X 5/8 socket flat countersink hd. (stainless)	BA0409.4Z	WASHER, 1/4 external star
AN0808.14CSS	SCREW, No. 8-32 X 1 Phillips pan hd. (stainless)	BA0409.6BL	WASHER, 1/4 X 9/16 nylon (black)
AN0808.3CBBL	SCREW, No. 8-32 X 1 button hd. (black)	BA0410.3Z	WASHER, 1/4 X 11/16 flat (zinc)
AN1004.21FRZB	SCREW, No. 10-32 X 1/2 thread cutting	BA0509.6	WASHER, 5/16 X 9/16 nylon
AN1004.2CZ	SCREW, No. 10-24 X 1/2 socket hd.	BA0511.2Z	WASHER, 5/16 X 11/16 flat, hardened (zinc)
AN1004.3FKZB	SCREW, No. 10-32 X 1/2 socket button hd., w/Scotch grip	BA0613.2Z	WASHER, 3/8 X 13/16 thick, hardened (zinc)
AN1005.14FZB	SCREW, No. 10-32 X 5/8 Phillips pan hd. (bright zinc)	CA0018.02A8	SCREW, shoulder (stainless steel)
AN1005.3CBBL	SCREW, No. 10-24 X 5/8 button hd. (black)	D0500.1CZ	JAM NUT, M5 X 10 (zinc)
AN1005.3FSS	SCREW, No. 10-32 X 5/8 button hd. (stainless)	D0600.2CZ	LOCKNUT, M6 nylock (zinc)
AN1006.14FZB	SCREW, No. 10-32 X 3/4 Phillips pan hd. (bright zinc)	D0800.4FZ	JAM NUT, M8 X 1.025, nylock (zinc)
AN1006.2CXZB	BOLT, No. 10-24 X 3/4 socket hd., w/Scotch grip	DA0400.2CZ	LOCKNUT, 1/4-28 X 20 nylock (zinc)
AN1009.2CXZB	BOLT, No. 10-24 X 1-1/8 socket hd., w/lockpatch	DA0400.3CZ	LOCKNUT, 1/4-20 staked (zinc)
AN1010.11FVB	SCREW, No. 10-32 X 1-1/4 TORX truss hd. (black olive)	DA0400.8CZ	LOCKNUT, 1/4-20 thin nylock
B0510.1Z	WASHER, 5mm X 1mm flat	DA0500.10CZ	LOCKNUT, 5/16-18 spring lock (zinc)
B0613.1Z	WASHER, 6mm X 13mm standard (zinc)	DA0500.11CZ	LOCKNUT, 5/16-18 clear flexlock (zinc)
		DA0500.12FZ	LOCKNUT, 5/16-24 (zinc)
		DA0500.2CZ	LOCKNUT, 5/16-18 nylock (zinc)
		DA0500.8FZ	NUT, 5/16-24 thin nylock (zinc)
		DA0600.11CZ	LOCKNUT, 3/8-16 thin (zinc)
		DA0600.12FAZB	LOCKNUT, 3/8-24 flange (Grade 5)
		DN1000.10FZB	NUT, No. 10-32 flex lock
		DN1000.4FZB	JAM NUT, No. 10-32 thin (Grade 12) (zinc)

## NEW PARTS LIST

PART NO. ....	PAGE	PART NO. ....	PAGE	
11604	RIVNUT.....	105	C0264.3AJ LABEL.....	117
11604	NUT.....	105	C0264.4AC LABEL.....	117
16800-84A	GASKET.....	9	C0265.1AS LABEL.....	117
16872-07	HEAD ASSEMBLY.....	7	C0265.2AN LABEL.....	117
16875-07	HEAD ASSEMBLY.....	7	C0265.3AJ LABEL.....	117
17036-91A	GASKET KIT.....	9	C0265.4AC LABEL.....	117
17058-02D	GASKET KIT.....	7	C0266.4AA LABEL.....	117
17059-02B	GASKET KIT.....	7	C0266.5A8 LABEL.....	117
17362-07	GASKET.....	9	C0318.KA LABEL.....	117
17598-07	ROCKER COVER.....	9	C2000.1AK POUCH.....	115
17695-07	GASKET.....	9	C2024.1AS TOOL KIT.....	115
18020-07	SEAT.....	7	C2042.1AS WRENCH.....	115
18094-02A	COLLAR/SEAL.....	7	C2043.1AS COMBO SHOCK SPANNER.....	115
19286-07	ENGINE ASSEMBLY.....	7	C3009.E PAD.....	59
19287-07	ENGINE ASSEMBLY.....	7	C3009.E PAD.....	63
24439-06	CRANKCASE SET.....	17	C3009.E PAD.....	67
25521-06A	PRIMARY COVER.....	15	CA0006.TA SCREW.....	77
25542-06A	PRIMARY COVER.....	15	CA0006.TA SCREW.....	79
26239-07	GEAR SHAFT.....	19	CA0018.02A8 SCREW.....	67
26357-02B	OIL PUMP.....	19	CB0016.3AA WASHER.....	89
26502-07	GEROTOR SET.....	19	DA0500.10CZ LOCKNUT.....	59
26503-07	GEROTOR SET.....	19	DA0500.10CZ LOCKNUT.....	63
27047-84B	PLATE.....	119	DA0500.10CZ LOCKNUT.....	67
32335-04	SPARK PLUG.....	27	G0110.02A8AYCC WHEEL ASSEMBLY.....	45
32493-02A	ROTOR SPROCKET ASSEMBLY..	25	G0120.02A8B AXLE.....	45
32494-04A	ROTOR SPROCKET ASSEMBLY..	25	G0150.5A8A TIRE.....	45
34157-06	FORK ASSEMBLY.....	33	G0309.02A8AYCC WHEEL ASSEMBLY.....	47
37107-06	OIL SEAL.....	15	G0321.02A8A AXLE.....	47
38613-03A	CLUTCH CABLE.....	77	G0350.5A8A TIRE.....	47
40574-06	BUSHING.....	15	H1531.1AS BRAKE LINE ASSEMBLY.....	39
4312B	SCREW.....	103	J0121.1AS FRONT FORK ASSEMBLY.....	53
60328-98B	DRAIN PLUG KIT.....	15	J0122.1AS FRONT FORK ASSEMBLY.....	53
60328-98B	PLUG.....	73	J8103.1AS PUSH ROD.....	53
60328-98B	PLUG.....	75	J8107.1AS OUTER TUBE.....	53
72064-94Y	TERMINAL.....	111	J8113.1AS SPRING.....	53
AA0403.1CAZ	SCREW.....	119	J8139.1AS DAMPER ASSEMBLY.....	53
AA0406.11CVB	SCREW.....	89	J8142.1AS SLIDER COMPONENT.....	53
AA0406.11CXVB	SCREW.....	81	J8143.1AS SLIDER COMPONENT.....	53
AA0406.11CXVB	SCREW.....	83	J8144.1AS PRELOAD ADJUSTMENT ASSEMBLY.....	53
AA0522.2CZB	SCREW.....	59	J8146.1AS SEAT.....	53
AA0522.2CZB	SCREW.....	63	K0001.1AS REAR SHOCK ASSEMBLY.....	57
AA0522.2CZB	SCREW.....	67	K0200.02A8B SHAFT.....	73
AA0608.2CXZB	SCREW.....	63	K0200.02A8B SHAFT.....	75
AA0608.2CZB	SCREW.....	67	K0410.1AS REAR SHOCK ASSEMBLY.....	57
AN1004.21FRZB	SCREW.....	59	K0424.1AS SPRING.....	57
AN1004.21FRZB	SCREW.....	63	L0009.1ANYT TAIL SECTION.....	67
AN1004.3FKZB	SCREW.....	23	L0167.1AS SIDESTAND LEG ASM.....	67
B0510.1Z	WASHER.....	107	L0174.4A8 PIVOT PIN.....	59
BA0509.6	WASHER.....	67	L0174.4A8 PIVOT PIN.....	63
BA0511.2Z	WASHER.....	59	L0174.4A8 PIVOT PIN.....	67
BA0511.2Z	WASHER.....	63	L0600.1ASYBP FRAME/FUEL TANK ASSEMBLY KIT.....	67
BA0511.2Z	WASHER.....	67	L0600.1ASYBP FRAME/FUEL TANK ASSEMBLY KIT.....	93
C0089.4A8	INSERT.....	25	L0600.2ANYBP FRAME/FUEL TANK ASSEMBLY KIT.....	63
C0089.4A8	INSERT.....	71		
C0178.3A8B	LABEL.....	117		
C0188.3AA	BUSHING.....	89		
C0264.1AS	LABEL.....	117		
C0264.2AN	LABEL.....	117		

## NEW PARTS LIST

PART NO. ....	PAGE	PART NO. ....	PAGE	
L0600.2ANYBP	FRAME/FUEL TANK ASSEMBLY KIT. ....	93	M0022.1AS FENDER. ....	89
L0600.3AJYBD	FRAME/FUEL TANK ASSEMBLY KIT. ....	59	M0028.1AKA FRAME PUCK. ....	59
L0600.3AJYBD	FRAME/FUEL TANK ASSEMBLY KIT. ....	93	M0028.1AKA FRAME PUCK. ....	63
L0600.4ACYBP	FRAME/FUEL TANK ASSEMBLY KIT. ....	59	M0028.1AKA FRAME PUCK. ....	67
L0600.4ACYBP	FRAME/FUEL TANK ASSEMBLY KIT. ....	93	M0029.1AKA FRAME PUCK. ....	59
L0601.1ASYBP	FRAME/FUEL TANK ASSEMBLY KIT. ....	69	M0029.1AKA FRAME PUCK. ....	63
L0601.1ASYBP	FRAME/FUEL TANK ASSEMBLY KIT. ....	95	M0029.1AKA FRAME PUCK. ....	67
L0601.2ANYBP	FRAME/FUEL TANK ASSEMBLY KIT. ....	65	M0044.1ASMAW NUMBER PLATE. ....	67
L0601.2ANYBP	FRAME/FUEL TANK ASSEMBLY KIT. ....	95	M0063.1ASMAW NUMBER PLATE. ....	67
L0601.3AJYBD	FRAME/FUEL TANK ASSEMBLY KIT. ....	61	M0232.1ASYT BRACKET. ....	107
L0601.3AJYBD	FRAME/FUEL TANK ASSEMBLY KIT. ....	95	M0233.1ASYT BRACKET. ....	107
L0601.4ACYBP	FRAME/FUEL TANK ASSEMBLY KIT. ....	61	M0248.1AS SLEEVE. ....	67
L0601.4ACYBP	FRAME/FUEL TANK ASSEMBLY KIT. ....	95	M0675.1AS GRAPHIC PANEL. ....	49
L0604.2ANYBP	FRAME/FUEL TANK ASSEMBLY KIT. ....	65	M0675.1AS GRAPHIC. ....	91
L0604.2ANYBP	FRAME/FUEL TANK ASSEMBLY KIT. ....	69	M0725.1AS DECAL. ....	91
L0604.2ANYBP	FRAME/FUEL TANK ASSEMBLY KIT. ....	95	M0725A.1AS DECAL. ....	91
L0604.4ACYBP	FRAME/FUEL TANK ASSEMBLY KIT. ....	61	M0726.1AS DECAL. ....	91
L0604.4ACYBP	FRAME/FUEL TANK ASSEMBLY KIT. ....	95	M1053.1ASZT TAIL SCREEN KIT. ....	107
L0605.1ASYBP	FRAME/FUEL TANK ASSEMBLY KIT. ....	67	M1224.1ASMAW INTAKE COVER KIT. ....	89
L0605.1ASYBP	FRAME/FUEL TANK ASSEMBLY KIT. ....	93	M1224.1ASMBW INTAKE COVER KIT. ....	89
L0605.2ANYBP	FRAME/FUEL TANK ASSEMBLY KIT. ....	63	M1224.2ANMZ INTAKE COVER KIT. ....	89
L0605.2ANYBP	FRAME/FUEL TANK ASSEMBLY KIT. ....	93	M1224.3AJMBX INTAKE COVER KIT. ....	89
L0605.3AJYBD	FRAME/FUEL TANK ASSEMBLY KIT. ....	59	M1224.3AJMCD INTAKE COVER KIT. ....	89
L0605.3AJYBD	FRAME/FUEL TANK ASSEMBLY KIT. ....	93	M1224.4ACMCH INTAKE COVER KIT. ....	89
L0605.4ACYBP	FRAME/FUEL TANK ASSEMBLY KIT. ....	59	M1600.1ASMAW WINDSCREEN KIT. ....	89
L0605.4ACYBP	FRAME/FUEL TANK ASSEMBLY KIT. ....	93	M1600.4ACMCC WINDSCREEN KIT. ....	89
L1167.02A8	SIDESTAND LEG ASM. ....	59	M1662.1ASMBE FENDER. ....	89
L1167.02A8	SIDESTAND LEG ASM. ....	63	N0025.1AJYW SEAT. ....	85
L1167.1AE	SIDESTAND LEG ASM. ....	59	N0025.1ASYW SEAT. ....	87
L1501.02A8	ISOLATOR ASSEMBLY. ....	71	P0115.02A8B FUEL CELL VENT. ....	93
L1511.4A8YT	W BRACKET ASSEMBLY. ....	71	P0119.02A8A RETAINING PLATE. ....	93
M0012.1AS	FENDER. ....	89	P0121.02A8A O-RING. ....	93
			P0215.3AA COVER. ....	23
			P0279.3AA THROTTLE POSITION SENSOR. .	21
			P0464.02A8A FUEL LINE ASSEMBLY. ....	93
			P0789.KA SENSOR. ....	93
			P0803.1AAA THROTTLE BODY MANIFOLD ASSEMBLY. ....	21
			P0803.2A8A THROTTLE BODY MANIFOLD ASSEMBLY. ....	21
			P0815.2AAA THROTTLE BODY MANIFOLD (JAPAN). ....	21
			P0815.3A8A THROTTLE BODY MANIFOLD (JAPAN). ....	21
			Q0009.3AA COVER. ....	17
			S0002.2AJ COVER. ....	23
			S0110.1AS MUFFLER. ....	101
			S0144.1AS MUFFLER. ....	101
			T0111.1AS COVER. ....	27
			Y0204.02A8C WIRE. ....	27
			Y0514.CA LAMP. ....	107
			Y1000.2AK BRACKET. ....	61
			Y1000.2AK BRACKET. ....	65
			Y1000.2AK BRACKET. ....	69
			Y1202.1AD BRACKET. ....	111

## NUMERICAL INDEX

PART NO. ....	PAGE	PART NO. ....	PAGE	PART NO. ....	PAGE	PART NO. ....	PAGE
10065.....	111	17598-07.....	9	25593-74.....	17	32504-80A.....	27
10080.....	13	17605-00YB.....	9	25778-04A.....	17	32564-99YB.....	115
1028.....	13	17606-00YA.....	9	25782-02A.....	17	32606-82.....	27
1039.....	9	17607-00Y.....	9	2611C.....	27	32617-00Y.....	13
1044.....	13	17608-00Y.....	9	26239-07.....	19	3275.....	21
10984.....	31	17611-83.....	9	26357-02B.....	19	3299Y.....	9
11002.....	19	17642-02A.....	9	26358-02A.....	19	33117-91A.....	97
11046.....	35	17649-02.....	9	26359-02A.....	19	33154-00Y.....	97
11067.....	31	17695-07.....	9	26359-02A.....	97	33155-00YA.....	97
11105.....	15	17908-02.....	9	26361-02A.....	19	3323Y.....	21
11105.....	73	17909-02.....	9	26365-02A.....	13	33540-06.....	33
11105.....	75	17979-02.....	9	26365-02A.....	17	33641-06.....	33
11113.....	31	17986-00Y.....	9	26365-02A.....	97	33900-99.....	33
11116.....	29	18011-86.....	7	26391-06.....	17	33900-99.....	115
11124.....	17	18020-07.....	7	26432-76A.....	7	34014-06.....	33
11124.....	27	18094-02A.....	7	26434-91.....	19	3403.....	29
11140.....	115	18245-02.....	7	26495-89B.....	19	34064-00B.....	33
11161.....	31	18258-02.....	7	26502-07.....	19	34076-02.....	33
11177A.....	11	18260-02.....	7	26503-07.....	19	34157-06.....	33
11177A.....	13	18532-00A.....	9	26564-04.....	97	34163-02.....	33
11179.....	77	18538-99B.....	9	26921-02.....	13	34483-06.....	33
11179.....	79	18690-02.....	7	26922-02.....	13	34491-02A.....	33
11190.....	9	18691-02.....	7	26923-02.....	13	3480A.....	27
11250.....	35	19286-07.....	7	26924-02.....	13	34819-03A.....	15
11317.....	17	19287-07.....	7	26995-86B.....	21	34920-86A.....	35
11360.....	33	215.....	17	27009-86A.....	21	34981-02.....	33
11604.....	59	21948-02.....	11	27010-86A.....	21	34982-02.....	33
11604.....	63	22244-04.....	11	27016-00.....	119	35030-89.....	31
11604.....	67	22265-00Y.....	13	27042-84A.....	119	35038-89A.....	31
11604.....	105	22589-83B.....	11	27047-84B.....	119	35051-89A.....	31
11604.....	105	22707-02.....	11	29312-95.....	119	35087-99.....	31
11730A.....	35	22710-02.....	7	29534-99Y.....	21	35107-06.....	31
11765Y.....	35	22765-02.....	11	29950-91.....	13	35114-02.....	13
12030.....	31	24047-00.....	17	29971-02YA.....	25	35118-03.....	13
12068.....	13	24213-02A.....	11	3029.....	25	35159-06.....	31
12074.....	31	24215-04A.....	11	31328-91.....	29	35163-06.....	31
14270-92.....	117	24331-36.....	11	31390-91E.....	29	35165-06.....	31
1601.....	27	24332-36.....	11	31488-81B.....	29	35167-06.....	31
16357-02A.....	27	24439-06.....	13	31515-90.....	29	35172-06.....	31
16461-02.....	7	24439-06.....	17	31518-90.....	29	35174-06.....	31
16466-04.....	7	2445.....	27	31522-00C.....	115	35190-06.....	31
16478-85A.....	7	24604-00D.....	13	31525-90.....	29	35191-06.....	31
16480-92A.....	7	24647-87.....	13	31530-90.....	29	35193-06.....	31
16573-83A.....	7	24650-87.....	13	31537-98.....	29	35196-06.....	31
16715-83.....	7	24658-87.....	11	31556-91B.....	29	35197-06.....	31
16770-84D.....	7	24659-87.....	13	31599-91.....	29	35211-91B.....	37
16774-86E.....	7	24660-87.....	13	31600-90.....	29	3559.....	29
16800-84A.....	9	24754-75A.....	13	31603-91.....	29	358.....	13
16832-86C.....	7	25188-02.....	17	31661-90.....	29	3594.....	37
16872-07.....	7	25349-03.....	15	31662-90.....	29	3594.....	115
16875-07.....	7	25353-00YB.....	17	31688-90.....	29	36715-94.....	35
16899-02.....	13	25377-03A.....	15	31689-90.....	29	36731-91.....	35
17036-91A.....	9	25378-02B.....	15	31695-90.....	29	36802-84B.....	35
17058-02D.....	7	25380-03.....	15	32335-04.....	27	37107-06.....	15
17059-02B.....	7	25409-94B.....	35	32443-04.....	27	37107-06.....	33
17360-83A.....	9	25453-87A.....	35	32473-02.....	27	37495-91.....	35
17362-07.....	9	25521-06A.....	15	32493-02A.....	25	37870-91.....	35
17375-83A.....	9	25542-06A.....	15	32494-04A.....	25	37872-90.....	35

# NUMERICAL INDEX

PART NO. ....	PAGE	PART NO. ....	PAGE	PART NO. ....	PAGE	PART NO. ....	PAGE
37890-02.....	35	53436-97.....	107	72191-94.....	111	A0540.2CBL.....	77
37891-02.....	35	59256-84A.....	51	72192-98.....	111	A0540.2CBL.....	79
37892-02.....	35	59256-84A.....	53	72195-94.....	25	A0620.2CZB.....	41
37894-02.....	35	59259-90.....	107	72199-94.....	115	A0620.2CZB.....	43
37895-02.....	35	6003.....	31	72234-94.....	111	A0620.2CZB.....	85
37896-02.....	35	6019.....	13	72238-94.....	25	A0620.2CZB.....	87
37897-02.....	35	6021.....	31	72238-94.....	111	A0620.5CZB.....	41
37898-02.....	35	60328-98B.....	15	72291-94.....	111	A0620.5CZB.....	43
37899-02A.....	35	60328-98B.....	73	72295-94.....	111	A0622.21CBL.....	77
37908-90.....	35	60328-98B.....	75	72462-00.....	111	A0622.21CBL.....	79
37909-90.....	35	6090Y.....	21	72462-00.....	115	A1065.2CZB.....	55
37911-90.....	35	6157.....	19	72604-01BK.....	25	A1065.2CZB.....	57
37913-90.....	35	62352-94B.....	13	72614-01BK.....	25	AA0403.1CAZ.....	119
37934-06.....	35	6288.....	115	72644-01.....	25	AA0404.10CSS.....	81
3849.....	9	6314W.....	13	72654-01.....	25	AA0404.10CSS.....	83
38613-03A.....	77	63533-41A.....	13	72690-01.....	25	AA0404.10CSS.....	105
38613-03A.....	79	63579-06.....	73	73102-96BK.....	111	AA0404.10CSS.....	107
3987.....	21	63579-06.....	75	73104-96BK.....	111	AA0404.11CVB.....	39
3990.....	31	63806-00Y.....	97	73108-96BK.....	111	AA0404.11CVB.....	55
3997A.....	33	63858-49.....	9	73152-96BK.....	111	AA0404.11CVB.....	57
40005-57B.....	37	6400HB.....	37	73154-96WE.....	111	AA0404.11CVB.....	59
40039-02B.....	15	65184-02.....	99	73190-96.....	111	AA0404.11CVB.....	63
40039-02B.....	37	65184-02.....	101	73191-96.....	111	AA0404.11CVB.....	67
40147-04.....	37	65324-83A.....	99	74102-98BK.....	121	AA0404.11CVB.....	85
40241-02.....	25	65324-83A.....	101	74112-98BK.....	121	AA0404.11CVB.....	103
40241-02.....	37	65325-83A.....	99	74142-98.....	121	AA0404.11CVB.....	105
40251-92A.....	37	65325-83A.....	101	74152-98.....	121	AA0404.11CXVB.....	19
40254-02.....	13	65328-83.....	99	74192-98.....	121	AA0404.11CXVB.....	71
40254-02.....	37	65328-83.....	101	74193-98.....	121	AA0404.11CXVB.....	81
40288-95.....	37	65948-00.....	103	74431-01B.....	115	AA0404.11CXVB.....	83
40290-04.....	25	6787.....	27	7804.....	15	AA0404.11CXVB.....	85
40290-04.....	37	68169-90A.....	107	7839.....	37	AA0404.11CXVB.....	87
40574-06.....	15	70227-99.....	115	7916A.....	17	AA0404.11CXVB.....	89
4091.....	13	70578-89.....	103	879A.....	13	AA0404.11CXVB.....	105
4132.....	19	7080.....	33	882.....	9	AA0404.11CXVB.....	121
4312B.....	103	720.....	13	8862.....	31	AA0404.5CZB.....	59
4413.....	13	72033-93.....	111	8871.....	29	AA0404.5CZB.....	63
45830-48.....	13	72064-06.....	111	8873.....	35	AA0404.5CZB.....	67
45842-77A.....	51	72064-94Y.....	111	8879.....	29	AA0404.5CZB.....	105
45842-77A.....	53	72094-06.....	111	8881.....	13	AA0405.2CXZB.....	59
45865-84.....	51	72103-94BK.....	111	8883.....	29	AA0405.2CXZB.....	63
45875-84A.....	51	72113-94BK.....	111	8884.....	31	AA0405.2CXZB.....	67
45902-00.....	29	72119-94BK.....	111	8885.....	35	AA0405.2CXZB.....	71
45980-96.....	51	72124-94GY.....	111	8964.....	31	AA0405.2CXZB.....	87
46343-06.....	51	72133-94GY.....	111	8966.....	31	AA0405.2CXZB.....	97
46343-06.....	53	72139-94GY.....	111	8970.....	31	AA0406.11CVB.....	39
4718A.....	9	72143-94.....	115	8973.....	13	AA0406.11CVB.....	41
4748.....	27	72144-94.....	111	9077.....	29	AA0406.11CVB.....	89
4751.....	25	72153-94.....	111	9187.....	33	AA0406.11CVB.....	105
4765.....	19	72159-94.....	111	9214.....	35	AA0406.11CXVB.....	81
4820A.....	15	72163-94.....	111	928.....	29	AA0406.11CXVB.....	83
4820A.....	17	72163-94GY.....	115	929A.....	29	AA0406.11CXVB.....	87
4824.....	15	72164-94.....	111	943.....	15	AA0406.11CXVB.....	121
4824.....	17	72173-94.....	111	9839.....	111	AA0406.21CZB.....	27
50005-85A.....	59	72179-94.....	111	9898.....	111	AA0406.21CZB.....	85
50005-85A.....	63	72190-94.....	27	A0516.8CXDBL.....	79	AA0406.2CXZB.....	93
50005-85A.....	67	72190-94.....	111	A0525.2CBL.....	77	AA0406.2CZB.....	59
53436-97.....	105	72190-94.....	115	A0525.2CBL.....	79	AA0406.2CZB.....	63

# NUMERICAL INDEX

PART NO. ....	PAGE	PART NO. ....	PAGE	PART NO. ....	PAGE	PART NO. ....	PAGE
AA0406.2CZB. ....	67	AN1006.2CXZB. ....	33	C0056.1AA. ....	97	C0520.02A8. ....	89
AA0406.2CZB. ....	97	AN1006.2CXZB. ....	97	C0064.1AJ. ....	39	C0529.M. ....	119
AA0406.2CZB. ....	105	AN1009.2CXZB. ....	33	C0064.1AJ. ....	79	C2000.1AK. ....	115
AA0409.5CZB. ....	59	AN1010.11FVB. ....	23	C0065.1AJ. ....	79	C2024.1AS. ....	115
AA0409.5CZB. ....	63	B0510.1Z. ....	107	C0066.1AJ. ....	79	C2039.02A8. ....	115
AA0409.5CZB. ....	67	B0510.1Z. ....	109	C0077.4A8. ....	97	C2040.02A8. ....	115
AA0412.11CXVB. ....	81	B0613.1Z. ....	41	C0082.4A8A. ....	81	C2041.02A8A. ....	115
AA0412.11CXVB. ....	83	B0613.1Z. ....	59	C0082.4A8A. ....	83	C2042.1AS. ....	115
AA0507.2CZB. ....	109	B0613.1Z. ....	63	C0086.3AC. ....	89	C2043.1AS. ....	115
AA0508.2CXZB. ....	49	B0613.1Z. ....	67	C0089.4A8. ....	25	C2044.1AK. ....	115
AA0508.2CXZB. ....	59	B0613.1Z. ....	71	C0089.4A8. ....	71	C2045.1AK. ....	115
AA0508.2CXZB. ....	63	B0613.1Z. ....	87	C0095.4A8. ....	59	C3009.E. ....	59
AA0508.2CXZB. ....	67	B0613.1Z. ....	97	C0095.4A8. ....	63	C3009.E. ....	63
AA0508.2CZB. ....	71	B0613.1Z. ....	105	C0095.4A8. ....	67	C3009.E. ....	67
AA0508.2CZB. ....	73	B0800.4Z. ....	107	C0098.02A8. ....	59	CA0002.T. ....	77
AA0508.2CZB. ....	75	BA0308.1BL. ....	89	C0098.02A8. ....	63	CA0005.T. ....	47
AA0512.2CZB. ....	51	BA0409.4Z. ....	103	C0098.02A8. ....	67	CA0006.TA. ....	77
AA0512.2CZB. ....	53	BA0409.6BL. ....	81	C0123.1AA. ....	115	CA0006.TA. ....	79
AA0512.2CZB. ....	115	BA0409.6BL. ....	83	C0145.T. ....	77	CA0007.T. ....	115
AA0518.2CZB. ....	99	BA0409.6BL. ....	85	C0145.T. ....	79	CA0012.02A8. ....	23
AA0518.2CZB. ....	101	BA0409.6BL. ....	87	C0148.T. ....	41	CA0012.02A8. ....	89
AA0520.2CXZB. ....	73	BA0409.6BL. ....	89	C0148.T. ....	43	CA0013.02A8. ....	71
AA0520.2CXZB. ....	75	BA0409.6BL. ....	105	C0149.T. ....	77	CA0014.02A8. ....	45
AA0522.2CZB. ....	59	BA0410.3Z. ....	97	C0149.T. ....	79	CA0015.02A8. ....	33
AA0522.2CZB. ....	63	BA0509.6. ....	67	C0152.1AD. ....	115	CA0015.02A8. ....	41
AA0522.2CZB. ....	67	BA0509.6. ....	85	C0178.3A8B. ....	117	CA0015.02A8. ....	43
AA0608.2CXZB. ....	39	BA0509.6. ....	87	C0188.3AA. ....	89	CA0015.02A8. ....	59
AA0608.2CXZB. ....	49	BA0509.6. ....	89	C0230.T. ....	15	CA0015.02A8. ....	63
AA0608.2CXZB. ....	63	BA0511.2Z. ....	37	C0232.TA. ....	41	CA0015.02A8. ....	67
AA0608.2CXZB. ....	85	BA0511.2Z. ....	55	C0232.TA. ....	43	CA0015.02A8. ....	71
AA0608.2CZB. ....	67	BA0511.2Z. ....	57	C0235.02A8. ....	59	CA0016.02A8. ....	115
AA0609.11CXZB. ....	37	BA0511.2Z. ....	59	C0235.02A8. ....	63	CA0018.02A8. ....	67
AA0615.2CZB. ....	59	BA0511.2Z. ....	63	C0235.02A8. ....	67	CA0018.02A8. ....	85
AA0615.2CZB. ....	71	BA0511.2Z. ....	67	C0249.02A8. ....	59	CA0018.02A8. ....	87
AA0615.2CZB. ....	85	BA0511.2Z. ....	71	C0249.02A8. ....	63	CA0018.02A8. ....	89
AA0620.2CZB. ....	41	BA0511.2Z. ....	109	C0249.02A8. ....	67	CA0020.02A8. ....	37
AA0620.2CZB. ....	43	BA0613.2Z. ....	13	C0250.02A8. ....	59	CA0020.02A8. ....	55
AA0624.1CZB. ....	99	BA0613.2Z. ....	71	C0250.02A8. ....	63	CA0020.02A8. ....	57
AA0624.1CZB. ....	101	BA0613.2Z. ....	99	C0250.02A8. ....	67	CA0024.2A8. ....	21
AA0634.2CZB. ....	71	BA0613.2Z. ....	101	C0255.02A8. ....	59	CA0026.02A8. ....	21
AA0636.2CZ. ....	115	BA0613.2Z. ....	115	C0255.02A8. ....	63	CA0027.3A8. ....	93
AA0712.2CZB. ....	71	C0028.02A8A. ....	59	C0255.02A8. ....	67	CA0200.R. ....	39
AA0712.2CZB. ....	73	C0028.02A8A. ....	63	C0264.1AS. ....	117	CB0002.T. ....	59
AA0712.2CZB. ....	75	C0028.02A8A. ....	67	C0264.2AN. ....	117	CB0002.T. ....	63
AN0805.5CSS. ....	71	C0028.02A8A. ....	71	C0264.3AJ. ....	117	CB0002.T. ....	67
AN0808.14CSS. ....	107	C0032.02A8. ....	103	C0264.4AC. ....	117	CB0002.T. ....	73
AN0808.3CBBL. ....	115	C0033.02A8. ....	115	C0265.1AS. ....	117	CB0002.T. ....	75
AN1004.21FRZB. ....	59	C0034.02A8. ....	27	C0265.2AN. ....	117	CB0006.02A8. ....	45
AN1004.21FRZB. ....	63	C0034.02A8. ....	103	C0265.3AJ. ....	117	CB0008.02A8. ....	115
AN1004.2CZ. ....	25	C0037.02A8. ....	115	C0265.4AC. ....	117	CB0009.02A8. ....	89
AN1004.2CZ. ....	93	C0044.02A8A. ....	27	C0266.4AA. ....	117	CB0012.02A8. ....	81
AN1004.3FKZB. ....	23	C0045.02A8. ....	115	C0266.5A8. ....	117	CB0012.02A8. ....	83
AN1004.3FKZB. ....	59	C0048.02A8. ....	77	C0317.1AAA. ....	117	CB0013.02A8. ....	71
AN1005.14FZB. ....	27	C0048.02A8. ....	79	C0317.2A8A. ....	117	CB0015.2A8. ....	21
AN1005.14FZB. ....	103	C0049.1AD. ....	107	C0318.KA. ....	117	CB0016.3AA. ....	89
AN1005.3CBBL. ....	121	C0051.1AD. ....	105	C0320.1AJA. ....	117	CD0001.T. ....	77
AN1005.3FSS. ....	89	C0052.1AD. ....	89	C0323.5A8. ....	117	CD0001.T. ....	79
AN1006.14FZB. ....	97	C0054.1AA. ....	21	C0332.5A8. ....	117	CD0002.T. ....	73

# NUMERICAL INDEX

PART NO. ....	PAGE	PART NO. ....	PAGE	PART NO. ....	PAGE	PART NO. ....	PAGE
CD0002.T.....	75	G0325.02A8.....	45	H0404.8.....	19	J0135.02A8A.....	49
CD0007.02A8.....	33	G0350.1AJ.....	47	H0405.9B.....	39	J1105.1ADA.....	49
CD0012.02A8.....	21	G0350.5A8A.....	47	H0405.9B.....	41	J8103.1AS.....	53
CD0013.9.....	39	G0400.1AA.....	37	H0405.9B.....	43	J8107.1AS.....	53
D0500.1CZ.....	107	G0500.1AAE.....	37	H0412.01A0.....	39	J8113.1AS.....	53
D0500.1CZ.....	109	G0500.1AKD.....	37	H0412.01A0.....	41	J8124.02A8.....	51
D0600.2CZ.....	43	G0604.1AAA.....	37	H0412.01A0.....	43	J8127.3A8.....	51
D0800.4FZ.....	107	G0604.1AK.....	37	H0418.02A8A.....	39	J8127.3A8.....	53
DA0400.2CZ.....	39	G0614.02A8D.....	37	H0505.02A8.....	45	J8128.3A8.....	51
DA0400.3CZ.....	119	H0012.1AD.....	41	H0506.02A8B.....	45	J8128.3A8.....	53
DA0400.8CZ.....	81	H0020.02A8.....	39	H1201.02A8A.....	45	J8130.02A8.....	51
DA0400.8CZ.....	83	H0021.02A8.....	39	H1522.1AN.....	43	J8130.3A8.....	51
DA0400.8CZ.....	105	H0022.F.....	39	H1522.4A8.....	41	J8130.3A8.....	53
DA0400.8CZ.....	107	H0022.F.....	41	H1531.1AD.....	39	J8134.1AK.....	51
DA0500.10CZ.....	55	H0022.F.....	43	H1531.1AS.....	39	J8135.02A8.....	51
DA0500.10CZ.....	57	H0024.F.....	41	HS0008.1AD.....	19	J8135.02A8.....	53
DA0500.10CZ.....	59	H0024.F.....	43	HS0008.1AD.....	97	J8135.1AE.....	51
DA0500.10CZ.....	63	H0026.F.....	41	HS0009.1AD.....	19	J8138.02A8.....	51
DA0500.10CZ.....	67	H0026.F.....	43	HS0009.1AD.....	97	J8138.3A8.....	51
DA0500.10CZ.....	99	H0027.1AD.....	41	HS0014.02A8.....	23	J8138.3A8.....	53
DA0500.10CZ.....	101	H0027.1AN.....	43	HS0015.02A8.....	93	J8139.1AE.....	51
DA0500.11CZ.....	71	H0030.T.....	41	HS0016.02A8.....	23	J8139.1AS.....	53
DA0500.12FZ.....	99	H0030.T.....	43	HS0020.02A8A.....	119	J8139.3A8.....	51
DA0500.12FZ.....	101	H0031.02A8.....	39	HS0021.1ADA.....	119	J8140.02A8.....	51
DA0500.2CZ.....	37	H0032.02A8.....	39	HS0022.4A8.....	19	J8141.02A8.....	51
DA0500.8FZ.....	93	H0033.02A8A.....	41	HS0022.4A8.....	97	J8141.02A8.....	53
DA0600.11CZ.....	13	H0033.02A8A.....	43	HS0023.4A8.....	19	J8142.1AE.....	51
DA0600.11CZ.....	59	H0034.T.....	41	HS0023.4A8.....	97	J8142.1AS.....	53
DA0600.11CZ.....	85	H0034.T.....	43	HS0024.4A8.....	17	J8142.3A8.....	51
DA0600.11CZ.....	115	H0035.9.....	39	HS0024.4A8.....	19	J8143.1AE.....	51
DA0600.12FAZB.....	37	H0040.F.....	41	HS0024.4A8.....	97	J8143.1AS.....	53
DN1000.10FZB.....	27	H0040.F.....	43	HS0025.1ADA.....	119	J8143.3A8.....	51
DN1000.10FZB.....	97	H0041.F.....	41	HS0455.02A8.....	23	J8144.1AE.....	51
DN1000.10FZB.....	103	H0041.F.....	43	J0105.1AKCYBD.....	49	J8144.1AS.....	53
DN1000.4FZB.....	33	H0045.1AN.....	43	J0106.02A8C.....	49	J8144.3A8.....	51
E0002.02A8A.....	49	H0053.T.....	41	J0106.1AKEYBD.....	49	J8146.1AS.....	53
E0002.02A8A.....	59	H0053.T.....	43	J0106.3A8A.....	49	J8147.3A8.....	51
E0002.02A8A.....	63	H0054.9.....	39	J0107.02A8.....	51	J8148.3A8.....	51
E0002.02A8A.....	67	H0055.9.....	39	J0107.3A8.....	51	J9147.02A8.....	51
E0004.02A8A.....	45	H0102.02A8A.....	41	J0113.1AE.....	51	J9147.3A8.....	51
E0005.02A8A.....	47	H0102.02A8A.....	43	J0113.3A8.....	51	K0001.02A8.....	55
E0006.02A8.....	73	H0105.F.....	41	J0114.02A8.....	51	K0001.1AE.....	55
E0006.02A8.....	75	H0105.F.....	43	J0114.02A8.....	53	K0001.1AN.....	55
G0110.02A8AYBR.....	45	H0106.F.....	41	J0115.02A8.....	51	K0001.1AN.....	57
G0110.02A8AYCC.....	45	H0106.F.....	43	J0115.02A8.....	53	K0001.1AS.....	57
G0110.02A8AYT.....	45	H0110.02A8.....	39	J0116.02A8.....	51	K0002.1AKYBP.....	75
G0110.02A8AYZ.....	45	H0118.02A8.....	41	J0116.02A8.....	53	K0002.4A8YBD.....	73
G0120.02A8B.....	45	H0118.02A8.....	43	J0117.02A8.....	51	K0002.4A8YBP.....	73
G0150.1AJ.....	45	H0150.02A8.....	47	J0117.3A8.....	51	K0003.1AKYBP.....	75
G0150.5A8A.....	45	H0203.02A8.....	41	J0117.3A8.....	53	K0003.4A8YBD.....	73
G0309.02A8AYBR.....	47	H0203.02A8.....	43	J0121.1AE.....	51	K0003.4A8YBP.....	73
G0309.02A8AYCC.....	47	H0205.1AA.....	41	J0121.1AS.....	53	K0101.1AKYBD.....	73
G0309.02A8AYT.....	47	H0205.1AA.....	43	J0121.3A8.....	51	K0101.1AKYBP.....	73
G0309.02A8AYZ.....	47	H0206.T.....	41	J0122.1AE.....	51	K0101.1AKYBP.....	75
G0313.02A8.....	45	H0212.02A8.....	43	J0122.1AS.....	53	K0158.1AK.....	73
G0313.02A8.....	47	H0300.02A8.....	39	J0122.3A8.....	51	K0158.1AK.....	75
G0321.02A8A.....	47	H0301.T.....	41	J0124.02A8.....	51	K0200.02A8B.....	73
G0323.02A8.....	47	H0301.T.....	43	J0124.02A8.....	53	K0200.02A8B.....	75



# NUMERICAL INDEX

PART NO. ....	PAGE	PART NO. ....	PAGE	PART NO. ....	PAGE	PART NO. ....	PAGE
K0402.02A8A. ....	55	L0601.1ASYBP. ....	69	M0029.1AKA. ....	67	M0649.01A3. ....	107
K0402.02A8A. ....	57	L0601.1ASYBP. ....	95	M0044.1ASMAW. ....	67	M0649.01A3. ....	109
K0403.02A8. ....	73	L0601.2ANYBP. ....	65	M0063.1ASMAW. ....	67	M0673.K. ....	107
K0403.02A8. ....	75	L0601.2ANYBP. ....	95	M0066.1AD. ....	85	M0675.1AC. ....	49
K0410.02A8. ....	55	L0601.3AJYBD. ....	61	M0066.1AN. ....	87	M0675.1AC. ....	91
K0410.1AE. ....	55	L0601.3AJYBD. ....	95	M0067.02A8. ....	85	M0675.1AS. ....	49
K0410.1AN. ....	57	L0601.4ACYBP. ....	61	M0067.02A8. ....	87	M0675.1AS. ....	91
K0410.1AS. ....	57	L0601.4ACYBP. ....	95	M0068.02A8. ....	85	M0698.02A8AMBE. ....	89
K0424.02A8. ....	55	L0602.1AKYBP. ....	65	M0068.02A8. ....	87	M0698.02A8AMBQ. ....	89
K0424.1AE. ....	55	L0602.1AKYBP. ....	69	M0069.02A8. ....	85	M0725.1AS. ....	91
K0424.1AN. ....	57	L0602.1AKYBP. ....	95	M0069.02A8. ....	87	M0725.4ACYW. ....	91
K0424.1AS. ....	57	L0602.2AJYBD. ....	61	M0070.02A8. ....	97	M0725A.1AS. ....	91
K0425.02A8. ....	55	L0602.2AJYBD. ....	95	M0072.02A8. ....	115	M0726.1AC. ....	91
K0425.02A8. ....	57	L0602.3AAYBP. ....	61	M0076.3AE. ....	85	M0726.1AJ. ....	91
K0437.1AKA. ....	57	L0602.3AAYBP. ....	95	M0090.1AC. ....	85	M0726.1AN. ....	91
L0009.1ANYBT. ....	63	L0603.1ANYBP. ....	65	M0106.02A8. ....	51	M0726.1AS. ....	91
L0009.1ANYBT. ....	87	L0603.1ANYBP. ....	69	M0106.02A8. ....	53	M0750.2ANYZ. ....	91
L0009.1ANYT. ....	67	L0603.1ANYBP. ....	95	M0232.1ASYT. ....	107	M0750.3AJ. ....	91
L0009.1ANYT. ....	87	L0603.3AAYBP. ....	61	M0232.4A8YT. ....	107	M0902.02A8MBE. ....	105
L0010.1ANYBT. ....	63	L0603.3AAYBP. ....	95	M0233.1ASYT. ....	107	M0903.02A8A. ....	105
L0010.1ANYBT. ....	87	L0603.4A8YBD. ....	61	M0233.4A8YT. ....	107	M1053.1AC. ....	107
L0010.1ANYT. ....	67	L0603.4A8YBD. ....	95	M0234.3AC. ....	23	M1053.1AJZBZ. ....	107
L0010.1ANYT. ....	87	L0604.2AJYBD. ....	61	M0248.1AS. ....	67	M1053.1AN. ....	107
L0072.1AD. ....	55	L0604.2AJYBD. ....	95	M0549.1AD. ....	81	M1053.1ASZT. ....	107
L0072.1AD. ....	85	L0604.2ANYBP. ....	65	M0549.1AD. ....	83	M1053.2AJ. ....	107
L0075.1AD. ....	85	L0604.2ANYBP. ....	69	M0550.1AK. ....	83	M1224.1ASMAW. ....	89
L0075.1AN. ....	87	L0604.2ANYBP. ....	95	M0550.4A8. ....	81	M1224.1ASMBW. ....	89
L0076.1AD. ....	85	L0604.4ACYBP. ....	61	M0560.1AK. ....	83	M1224.2ANMZ. ....	89
L0076.1AN. ....	87	L0604.4ACYBP. ....	95	M0560.4A8. ....	81	M1224.3AJMBX. ....	89
L0077.3AA. ....	97	L0605.1ASYBP. ....	67	M0561.1AKB. ....	83	M1224.3AJMCD. ....	89
L0078.02A8. ....	59	L0605.1ASYBP. ....	93	M0561.4A8B. ....	81	M1224.4ACMCC. ....	89
L0078.02A8. ....	63	L0605.2ANYBP. ....	63	M0570.4A8. ....	81	M1224.4ACMCH. ....	89
L0079.02A8. ....	59	L0605.2ANYBP. ....	93	M0580.4A8. ....	81	M1224.4ACMW. ....	89
L0079.02A8. ....	63	L0605.3AJYBD. ....	59	M0580.4A8. ....	83	M1600.1ACMW. ....	89
L0152.1AA. ....	59	L0605.3AJYBD. ....	93	M0612.1AD. ....	59	M1600.1AJAMBX. ....	89
L0152.1AA. ....	63	L0605.4ACYBP. ....	59	M0612.1AD. ....	85	M1600.1ANMW. ....	89
L0152.1AA. ....	67	L0605.4ACYBP. ....	93	M0612.1ADYBT. ....	59	M1600.1ANMZ. ....	89
L0160.02A8A. ....	71	L0946.1AN. ....	105	M0612.1ADYBT. ....	85	M1600.1ASMAW. ....	89
L0167.1AS. ....	67	L1013.02A8. ....	117	M0613.1ADYBQ. ....	59	M1600.2AJMCD. ....	89
L0174.4A8. ....	59	L1013.1AA. ....	117	M0613.1ADYBQ. ....	63	M1600.3ACMCH. ....	89
L0174.4A8. ....	63	L1167.02A8. ....	59	M0613.1ADYBQ. ....	85	M1600.4ACMCC. ....	89
L0174.4A8. ....	67	L1167.02A8. ....	63	M0613.1ADYBQ. ....	87	M1662.02A8MW. ....	89
L0178.K. ....	57	L1167.1AE. ....	59	M0613.1ADYBQ. ....	107	M1662.1ANMZ. ....	89
L0203.1AA. ....	59	L1501.02A8. ....	71	M0613.1ADYT. ....	59	M1662.1ASMBE. ....	89
L0203.1AA. ....	63	L1511.4A8YT. ....	71	M0613.1ADYT. ....	67	M2647.02A8AMW. ....	89
L0203.1AA. ....	67	M0006.1AD. ....	105	M0613.1ADYT. ....	85	M2647.1ANMZ. ....	89
L0500.02A8. ....	71	M0007.1AD. ....	85	M0613.1ADYT. ....	87	M2648.02A8AMW. ....	89
L0502.02A8. ....	71	M0007.1AN. ....	87	M0613.1ADYT. ....	107	M2648.1ANMZ. ....	89
L0506.02A8. ....	71	M0008.1AD. ....	85	M0614.1AD. ....	61	N0002.1AD. ....	77
L0541.02A8. ....	107	M0008.1AN. ....	87	M0614.1AD. ....	85	N0007.1AJMBE. ....	79
L0600.1ASYBP. ....	67	M0012.1AS. ....	89	M0614.1ADYBT. ....	61	N0010.02A8. ....	77
L0600.1ASYBP. ....	93	M0022.1AS. ....	89	M0614.1ADYBT. ....	85	N0012.1AA. ....	71
L0600.2ANYBP. ....	63	M0023.1AJAYT. ....	105	M0619.1AD. ....	105	N0017.1AJMBE. ....	79
L0600.2ANYBP. ....	93	M0028.1AKA. ....	59	M0642.1ADYBQ. ....	109	N0025.1AJYW. ....	85
L0600.3AJYBD. ....	59	M0028.1AKA. ....	63	M0642.1ADYT. ....	109	N0025.1ANFYW. ....	87
L0600.3AJYBD. ....	93	M0028.1AKA. ....	67	M0643.1ADYBQ. ....	109	N0025.1ASYW. ....	87
L0600.4ACYBP. ....	59	M0029.1AKA. ....	59	M0643.1ADYT. ....	109	N0037.1AJ. ....	79
L0600.4ACYBP. ....	93	M0029.1AKA. ....	63	M0645.1ADA. ....	105	N0050.K. ....	77

## NUMERICAL INDEX

PART NO. ....	PAGE	PART NO. ....	PAGE	PART NO. ....	PAGE	PART NO. ....	PAGE
N0050.K. ....	79	N0428.02A8. ....	61	P0047.2AC. ....	121	S0123.02A8A. ....	99
N0051.K. ....	77	N0428.02A8. ....	65	P0080.3A8. ....	93	S0123.02A8A. ....	101
N0051.K. ....	79	N0429.02A8. ....	61	P0101.02A8. ....	93	S0127.8. ....	99
N0053.1AJ. ....	79	N0429.02A8. ....	65	P0115.02A8B. ....	93	S0127.8. ....	101
N0054.2ADYBD. ....	61	N0505.1AD. ....	41	P0119.02A8A. ....	93	S0130.02A8. ....	115
N0054.2ADYBP. ....	61	N0505.1AD. ....	43	P0121.02A8A. ....	93	S0131.02A8. ....	115
N0054.2ADYBP. ....	65	N0507.01A1A. ....	33	P0127.02A8. ....	93	S0133.02A8. ....	99
N0055.2ADYBD. ....	61	N0513.T. ....	33	P0128.02A8A. ....	93	S0133.02A8. ....	101
N0055.2ADYBP. ....	61	N0513.T. ....	41	P0130.02A8A. ....	93	S0135.02A8A. ....	99
N0055.2ADYBP. ....	65	N0513.T. ....	43	P0138.K. ....	23	S0135.02A8A. ....	101
N0096.02A8. ....	39	N0516.T. ....	41	P0138.K. ....	115	S0136.02A8. ....	99
N0096.02A8. ....	77	N0516.T. ....	43	P0139.K. ....	23	S0136.02A8. ....	101
N0096.1AJ. ....	39	N0517.T. ....	41	P0144.02A8. ....	23	S0137.1AA. ....	23
N0096.1AJ. ....	79	N0517.T. ....	43	P0153.02A8. ....	93	S0138.2AA. ....	23
N0097.1AAYBP. ....	61	N0520.1AD. ....	61	P0164.K. ....	93	S0144.1AS. ....	101
N0097.1AAYBP. ....	65	N0520.1AD. ....	65	P0166.K. ....	93	S0144.3AA. ....	101
N0097.1AAYBP. ....	69	N0520.1AD. ....	69	P0177.KA. ....	93	S0144.4A8. ....	99
N0097.2A8. ....	61	N0521.1AD. ....	61	P0178.KA. ....	93	T0111.1AJ. ....	27
N0098.02A8. ....	61	N0521.1AD. ....	65	P0187.02A8. ....	93	T0111.1AN. ....	27
N0098.02A8YBP. ....	61	N0521.1AD. ....	69	P0194.3A8. ....	93	T0111.1AS. ....	27
N0098.02A8YBP. ....	65	N0530.02A8. ....	41	P0198.02A8. ....	93	T0111.2AC. ....	27
N0098.02A8YBP. ....	69	N0530.02A8. ....	43	P0213.02A8. ....	23	T0225.02A8. ....	33
N0104.02A8. ....	77	N0552.02A8. ....	61	P0215.3AA. ....	23	Y0011.K. ....	113
N0104.1AJ. ....	79	N0552.02A8. ....	65	P0228.02A8. ....	93	Y0011.K. ....	115
N0158.TA. ....	77	N0553.02A8. ....	61	P0229.02A8. ....	93	Y0021.02A8. ....	111
N0158.TA. ....	79	N0553.02A8. ....	65	P0279.3AA. ....	21	Y0023.1AD. ....	115
N0159.TA. ....	77	N0554.02A8. ....	61	P0353.2AC. ....	121	Y0024.02A8. ....	103
N0159.TA. ....	79	N0554.02A8. ....	65	P0356.3A8. ....	93	Y0039.K. ....	107
N0161.01A1A. ....	77	N0554.02A8. ....	69	P0464.02A8A. ....	93	Y0040.K. ....	107
N0161.01A1A. ....	79	N0555.02A8. ....	61	P0789.KA. ....	93	Y0041.K. ....	107
N0200.02A8. ....	39	N0555.02A8. ....	65	P0803.1AAA. ....	21	Y0042.K. ....	107
N0200.02A8. ....	77	N0555.02A8. ....	69	P0803.2A8A. ....	21	Y0043.02A8. ....	107
N0200.1AJ. ....	39	N0599.02A8A. ....	33	P0806.K. ....	93	Y0045.02A8. ....	111
N0200.1AJ. ....	79	N0599.02A8A. ....	41	P0815.2AAA. ....	21	Y0046.02A8. ....	111
N0203.9. ....	39	N0599.02A8A. ....	43	P0815.3A8A. ....	21	Y0050.02A8A. ....	105
N0210.R. ....	39	N0599.02A8A. ....	115	P1203.3A8. ....	93	Y0053.02A8. ....	111
N0220.F. ....	39	N0600.02A8A. ....	33	P1700.1AK. ....	23	Y0054.02A8. ....	111
N0259.9. ....	39	N0606.02A8A. ....	33	P1701.3AC. ....	23	Y0056.02A8. ....	111
N0307.1ADA. ....	77	N0630.02A8A. ....	33	Q0002.02A8. ....	97	Y0060.02A8. ....	111
N0307.1ADA. ....	79	N0675.1AN. ....	49	Q0009.3AA. ....	17	Y0061.02A8. ....	111
N0308.1ADA. ....	77	N0675.1AN. ....	91	Q0109.1AK. ....	73	Y0066.02A8. ....	111
N0308.1ADA. ....	79	N1102.02A8. ....	77	Q0109.1AK. ....	75	Y0067.02A8. ....	111
N0320.02A8. ....	33	N1102.1AJ. ....	79	Q0127.1AK. ....	73	Y0071.02A8. ....	111
N0348.1ADYBQ. ....	49	N1202.02A8. ....	39	Q0127.1AK. ....	75	Y0072.02A8. ....	111
N0348.1ADYT. ....	49	N1202.1AJ. ....	39	Q0300.4A8. ....	19	Y0076.02A8. ....	111
N0401.02A8. ....	61	P0002.02A8. ....	93	R0053.1ADB. ....	105	Y0077.02A8. ....	113
N0401.02A8YBP. ....	61	P0011.02A8. ....	21	S0001.3AC. ....	23	Y0081.02A8. ....	113
N0401.02A8YBP. ....	65	P0012.02A8. ....	21	S0002.2AJ. ....	23	Y0082.02A8. ....	113
N0401.02A8YBP. ....	69	P0013.1AA. ....	21	S0096.1AA. ....	101	Y0085.02A8. ....	113
N0402.02A8. ....	61	P0023.02A8. ....	21	S0097.1AAA. ....	101	Y0091.02A8. ....	113
N0402.02A8YBP. ....	61	P0024.02A8. ....	21	S0101.02A8A. ....	99	Y0092.02A8. ....	113
N0402.02A8YBP. ....	65	P0025.1AAA. ....	21	S0101.1AAA. ....	101	Y0095.02A8. ....	113
N0402.02A8YBP. ....	69	P0026.1AA. ....	21	S0110.02A8. ....	99	Y0096.02A8. ....	113
N0425.02A8. ....	61	P0027.1AA. ....	21	S0110.1AA. ....	101	Y0097.02A8. ....	113
N0425.02A8. ....	65	P0028.02A8. ....	21	S0110.1AS. ....	101	Y0103.02A8. ....	103
N0425.02A8. ....	69	P0029.02A8. ....	21	S0111.02A8. ....	99	Y0115.02A8. ....	117
N0427.02A8A. ....	61	P0045.3A8. ....	93	S0116.02A8. ....	99	Y0119.02A8. ....	113
N0427.02A8A. ....	65	P0046.2AC. ....	121	S0116.02A8. ....	101	Y0120.02A8. ....	113

## NUMERICAL INDEX

PART NO. ....	PAGE	PART NO. ....	PAGE	PART NO. ....	PAGE	PART NO. ....	PAGE
Y0126.02A8. ....	113	Y0157.4A8. ....	19	Y0307.02A8. ....	71	Y0503.K. ....	107
Y0129.02A8. ....	113	Y0160.1AC. ....	115	Y0308.TA. ....	105	Y0504.02A8. ....	107
Y0130.02A8. ....	113	Y0162.02A8. ....	109	Y0317.1AD. ....	103	Y0504.K. ....	107
Y0131.02A8. ....	113	Y0163.02A8. ....	109	Y0320.1AD. ....	103	Y0514.CA. ....	107
Y0132.02A8. ....	113	Y0204.02A8C. ....	27	Y0321.02A8. ....	103	Y0602.1AD. ....	115
Y0133.02A8. ....	113	Y0206.1AAA. ....	23	Y0349.02A8. ....	115	Y0621.MA. ....	109
Y0134.02A8. ....	113	Y0211.K. ....	113	Y0401.1AD. ....	107	Y0723.T. ....	115
Y0135.02A8. ....	25	Y0211.K. ....	115	Y0421.1ADA. ....	105	Y0724.1AD. ....	115
Y0136.1ACA. ....	111	Y0300.02A8. ....	27	Y0422.1ADA. ....	105	Y0725.02A8. ....	85
Y0136.1ACA. ....	113	Y0301.CB. ....	115	Y0426.1ADA. ....	105	Y0725.02A8. ....	87
Y0145.02A8. ....	25	Y0302.02A8. ....	25	Y0460.2ACA. ....	121	Y0732.T. ....	115
Y0148.1AD. ....	105	Y0303.2B. ....	41	Y0500.2AJ. ....	109	Y0810.9. ....	39
Y0149.1AD. ....	105	Y0303.2B. ....	43	Y0500.3AC. ....	109	Y1000.2AK. ....	61
Y0150.1AD. ....	105	Y0303.2B. ....	109	Y0501.2AJ. ....	109	Y1000.2AK. ....	65
Y0152.3A8. ....	27	Y0303.2B. ....	115	Y0501.3AC. ....	109	Y1000.2AK. ....	69
Y0155.2AC. ....	27	Y0305.CW. ....	115	Y0503.02A8. ....	107	Y1202.1AD. ....	111

2007 BUELL® PARTS CATALOG

# LIGHTNING® MODELS



**Buell Motorcycle Company**  
**Service Communications • Milwaukee, WI 53208**  
**Printed in the U.S.A.**

